

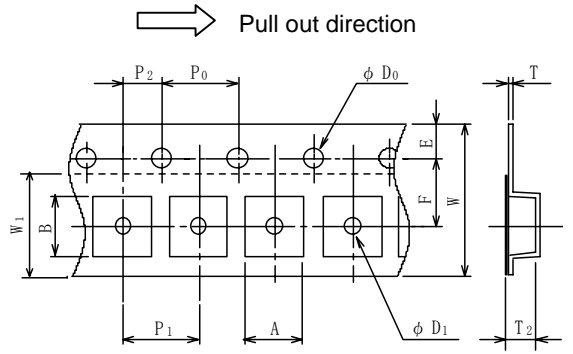
General Description

NJRC delivers ICs in 4 methods, plastic tube container, two kinds of Taping, tray and vinyl bag packing. Except adhesive tape treated anti electrostatic and contain carbon are using as the ESD (Electrostatic Discharge Damage) protection.

USB Emboss Taping (TE1/TE2)

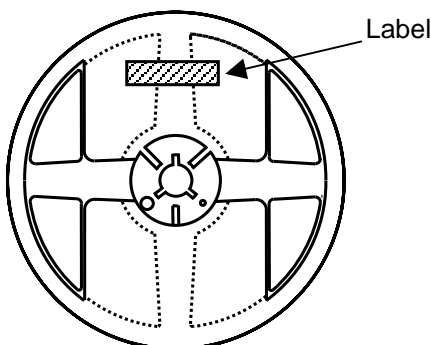
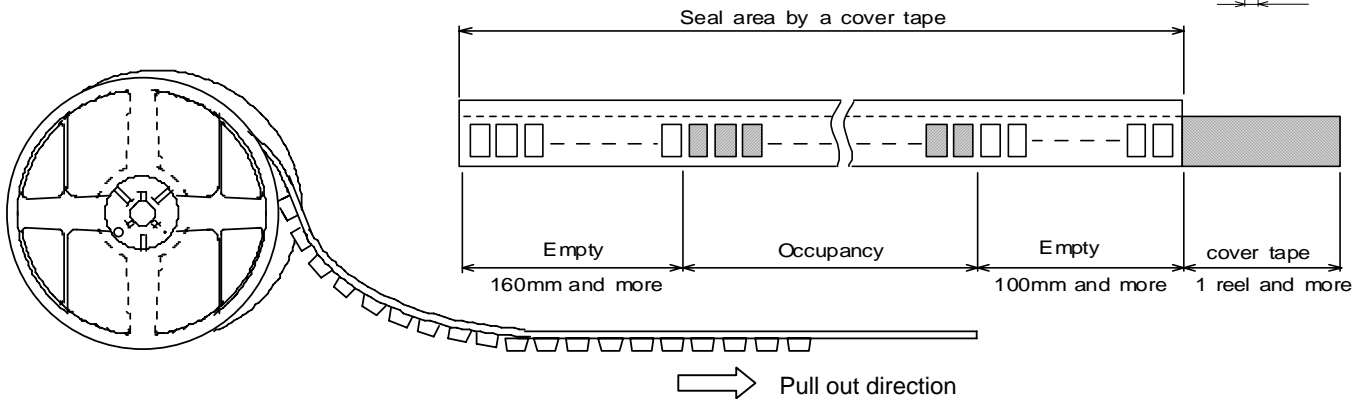
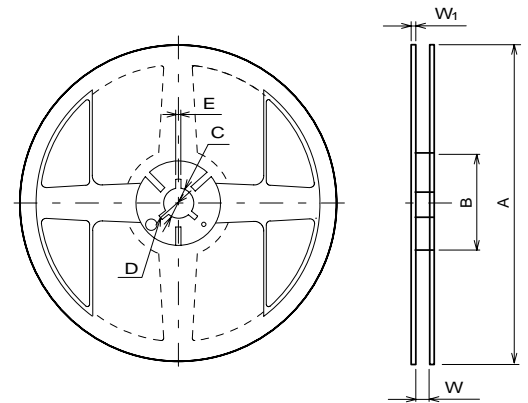
Symbol	USB6-A8	USB6-D3	USB8-B6	USB8-B3	Remark
A	1.2±0.03	2.2±0.1	1.75±0.05	1.75±0.1	Bottom size
B	1.4±0.03	2.4±0.1	1.75±0.05	1.75±0.1	Bottom size
D ₀	1.5 +0.1	1.5 +0.1	1.5 +0.1	1.5 +0.1	
D ₁	0.5±0.05	1.1±0.1	1.1±0.1	1.1±0.1	
E	1.75±0.1	1.75±0.1	1.75±0.1	1.75±0.1	
F	3.5±0.05	3.5±0.05	3.5±0.05	3.5±0.05	
P ₀	4.0±0.1	4.0±0.1	4.0±0.1	4.0±0.1	
P ₁	4.0±0.1	4.0±0.1	4.0±0.1	4.0±0.1	
P ₂	2.0±0.05	2.0±0.05	2.0±0.05	2.0±0.05	
T	0.2±0.05	0.25±0.05	0.25±0.05	0.25±0.05	
T ₂	0.56	0.85	0.44	0.63	
W	8.0±0.2	8.0±0.2	8.0±0.2	8.0±0.2	
W ₁	5.5±0.1	5.5±0.1	5.5±0.1	5.5±0.1	Thickness 69um MAX

Unit : mm

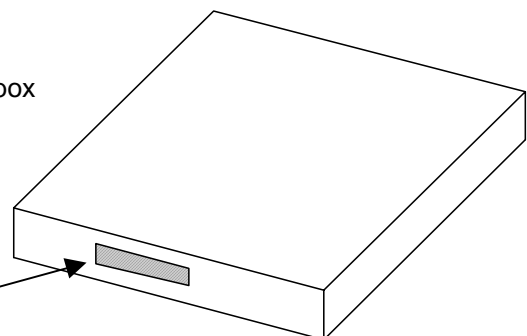
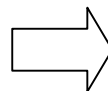


Symbol	USB6-A8	USB6-D3	USB8-B6	USB8-B3
A		∅180 +0/-3		
B		∅ 60 +1/-0		
C		∅ 13 ±0.2		
D		∅ 21 ±0.8		
E		2 ±0.5		
W		9 ±0.3		
W ₁		1.2 ±0.2		
Contents		3,000pcs		

Unit : mm



Put in the outer box

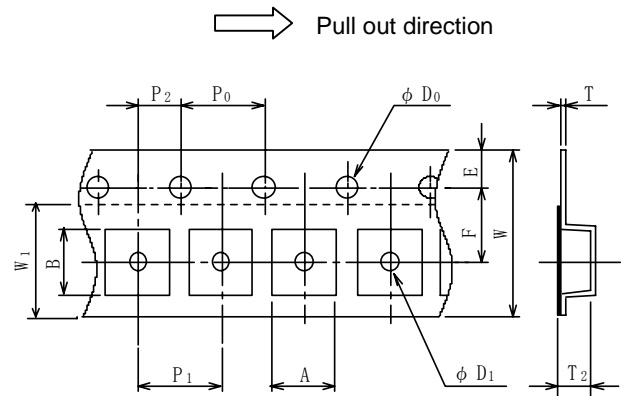


PACKING SPECIFICATION

USB Emboss Taping (TE1/TE2)

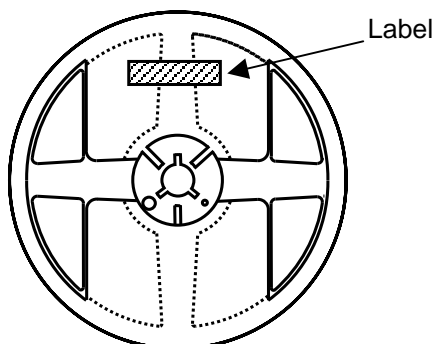
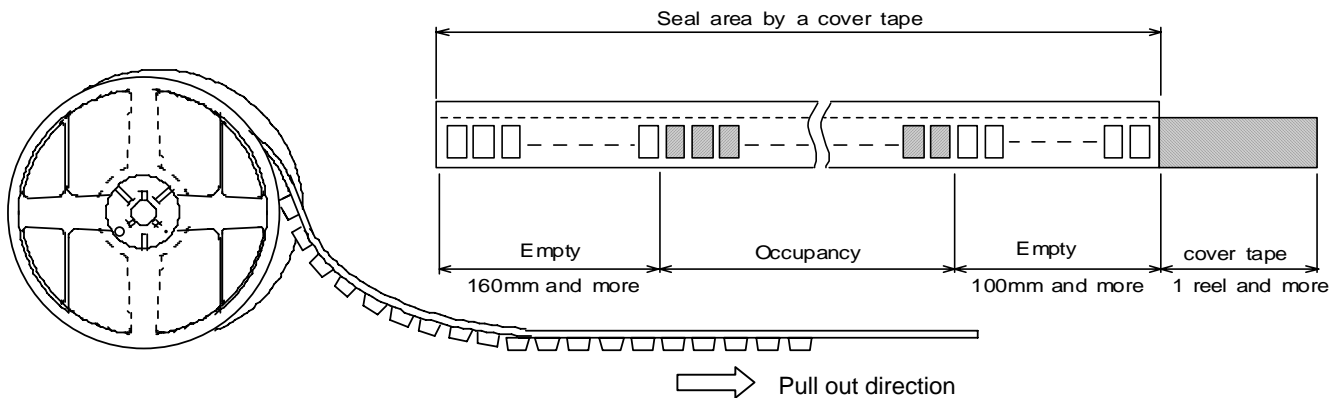
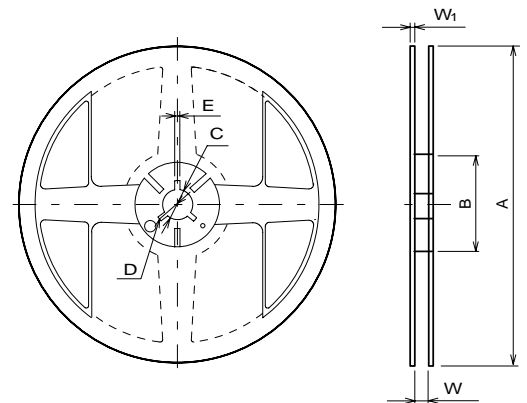
Symbol	USB10-C3	USB12-E3	Remark
A	2.4±0.1	2.75±0.1	Bottom size
B	1.9±0.1	2.75±0.1	Bottom size
D ₀	1.5 ±0.1	1.5 ±0.1	
D ₁	1.1±0.1	1.1±0.1	
E	1.75±0.1	1.75±0.1	
F	3.5±0.05	3.5±0.05	
P ₀	4.0±0.1	4.0±0.1	
P ₁	4.0±0.1	4.0±0.1	
P ₂	2.0±0.05	2.0±0.05	
T	0.25±0.05	0.25±0.05	
T ₂	0.85	0.85	
W	8.0±0.2	8.0±0.2	
W ₁	5.5±0.1	5.5±0.1	Thickness 69um MAX

Unit : mm



Symbol	USB10-C3	USB12-E3
A	∅180	
B	∅ 60	
C	∅ 13±0.2	
D	∅ 21±0.8	
E	2±0.5	
W	9±0.3	
W ₁	1.2±0.2	
Contents	3,000pcs	

Unit : mm



Put in the outer box

