

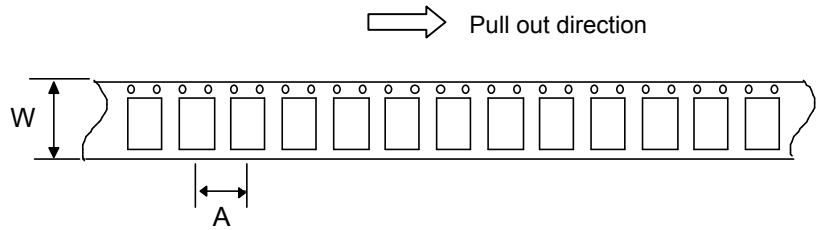
General Description

NJRC delivers ICs in 4 methods, plastic tube container, two kinds of Taping, tray and vinyl bag packing. Except adhesive tape treated anti electrostatic and contain carbon are using as the ESD (Electrostatic Discharge Damage) protection.

SOP Emboss Taping (TE2)

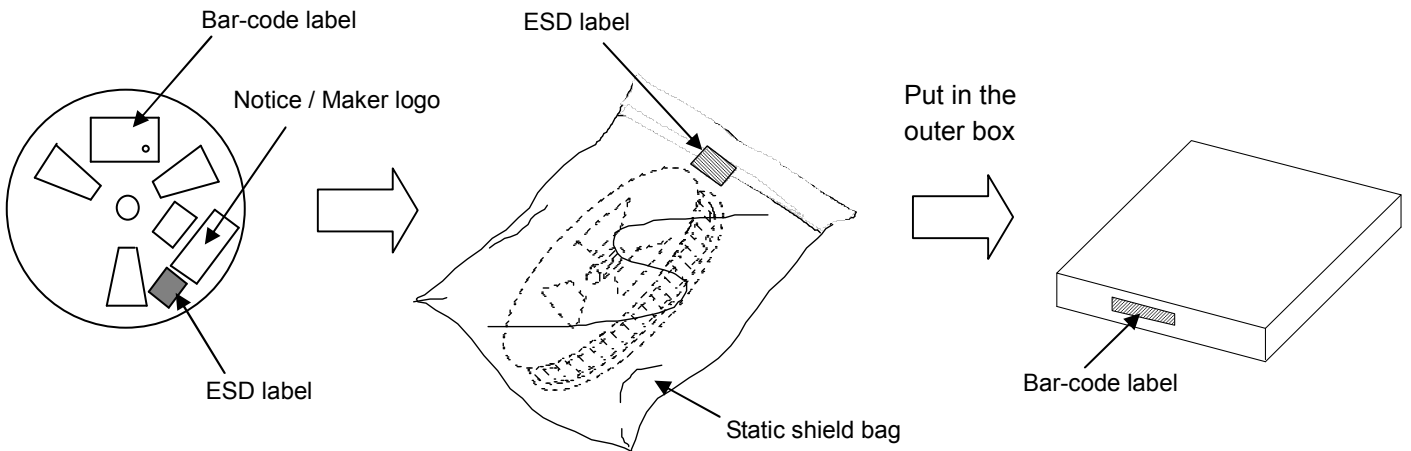
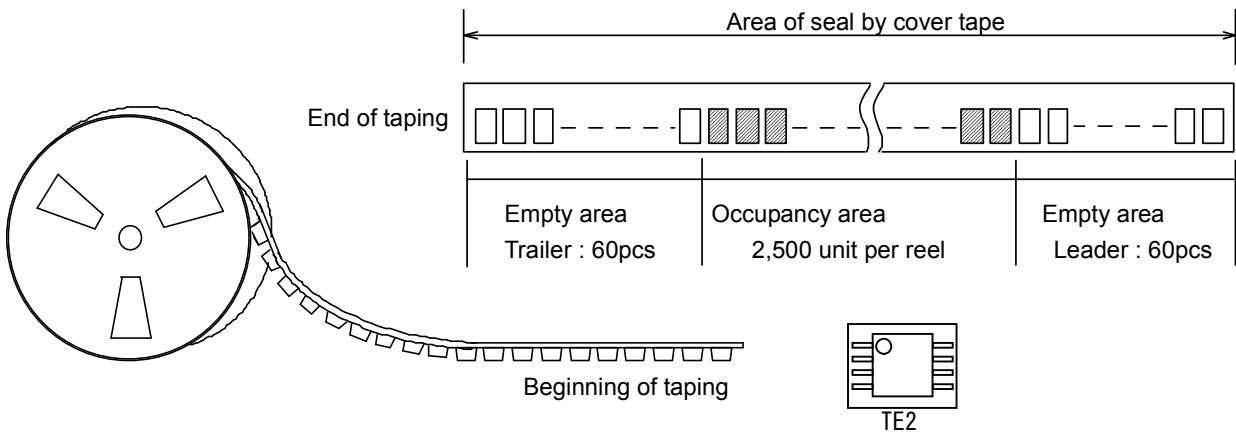
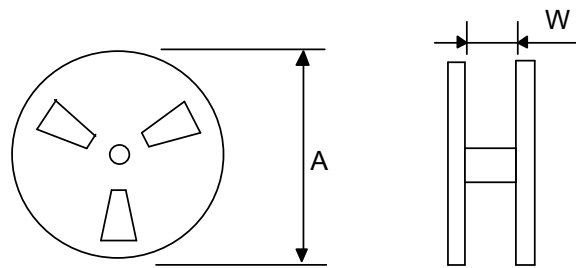
Symbol	SOP8
A	8
W	12

Unit : mm



Symbol	SOP8
A	330
W	12.4
Contents	2,500 pcs

Unit : mm



PACKING SPECIFICATION

SOP Emboss Taping (TE2)

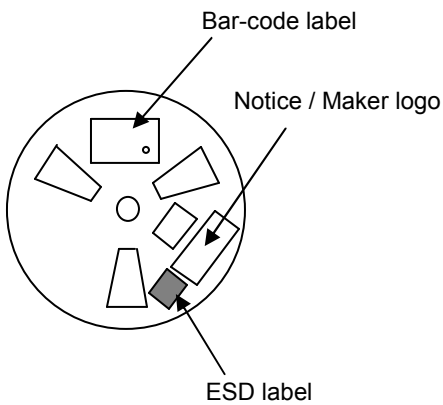
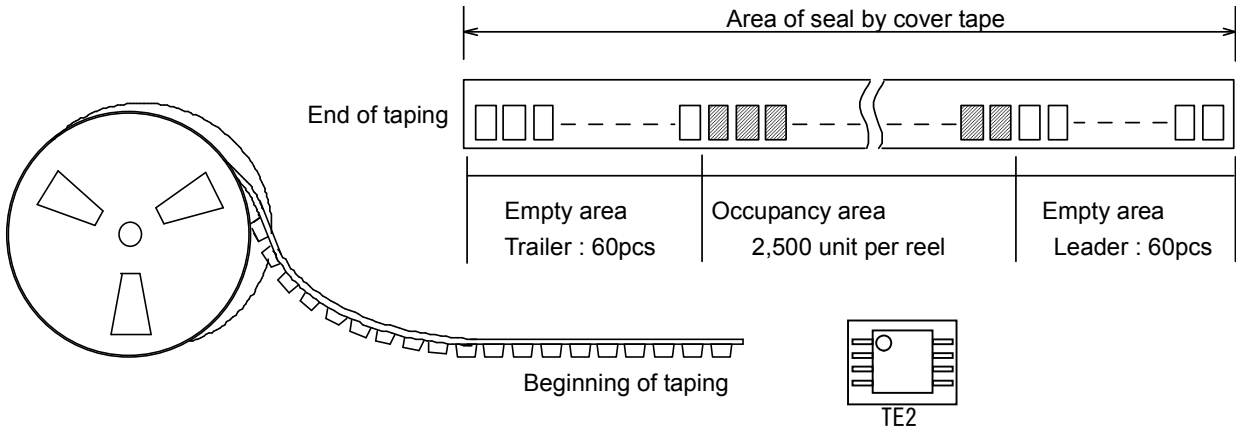
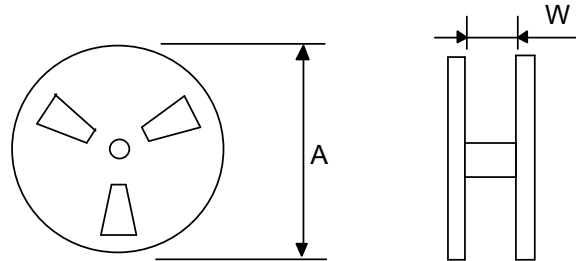
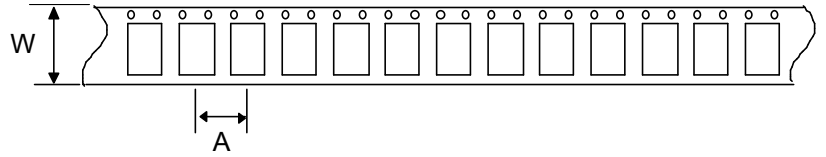
Symbol	SOP14
A	8
W	16

Unit : mm

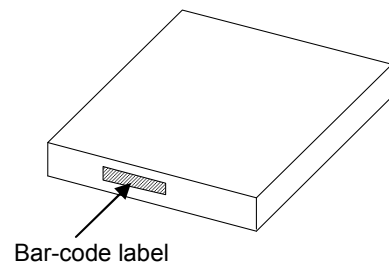
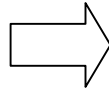
Symbol	SOP14
A	330
W	16.4
Contents	2,500 pcs

Unit : mm

→ Pull out direction



Put in the outer box

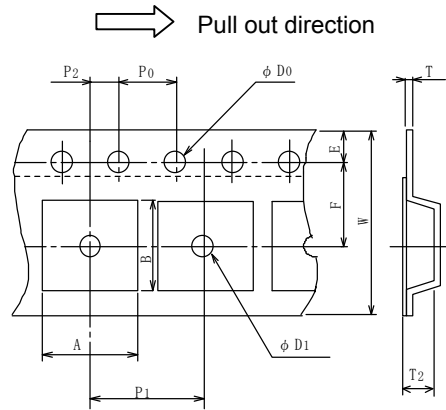


PACKING SPECIFICATION

SOP Emboss Taping (TE1/TE2)

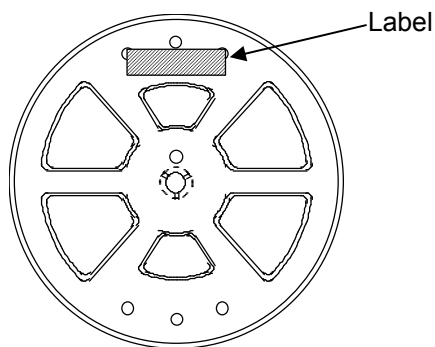
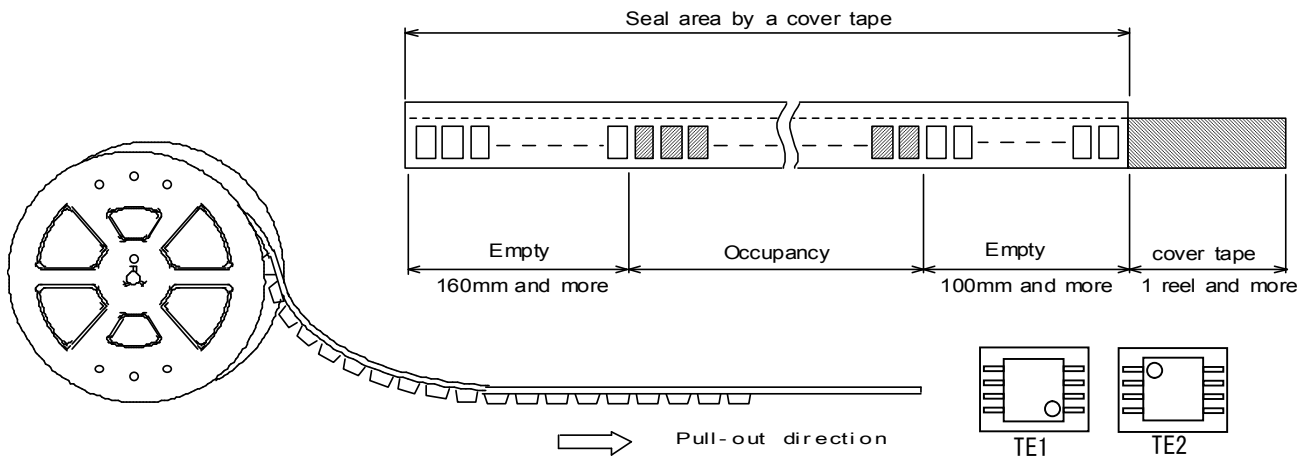
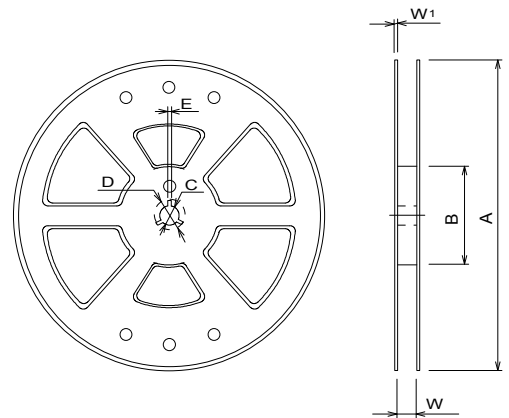
Symbol	SOP18	SOP22	SOP28
A	8.4±0.1	8.4±0.1	10.8±0.1
B	12.0±0.1	14.5±0.1	19.1±0.1
D ₀	1.55±0.05	1.55±0.05	1.55+0.1/-0
D ₁	2.05±0.05	2.05±0.05	2.05+0.1/-0
E	1.75±0.1	1.75±0.1	1.75±0.1
F	11.5±0.05	11.5±0.05	11.5±0.1
P ₀	4.0±0.1	4.0±0.1	4.0±0.1
P ₁	12.0±0.1	12.0±0.1	12.0±0.1
P ₂	2.0±0.05	2.0±0.05	2.0±0.1
T	0.3±0.05	0.3±0.05	0.3±0.05
T ₂	2.56	2.56	3.17
W	24.0±0.3	24.0±0.3	24.0±0.3

Unit : mm

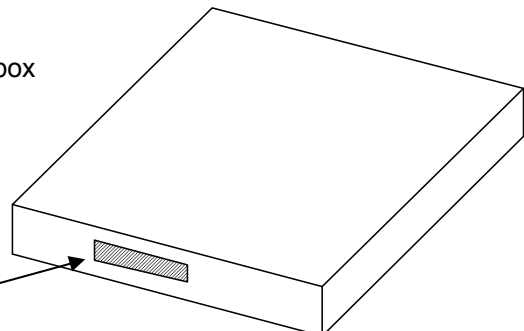
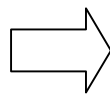


Symbol	SOP18/22/28
A	Ø330±2
B	Ø80±1
C	Ø13±0.2
D	Ø21±0.8
E	2±0.5
W	25.5±0.5
W ₁	2
Contents	2,000 pcs

Unit : mm



Put in the outer box

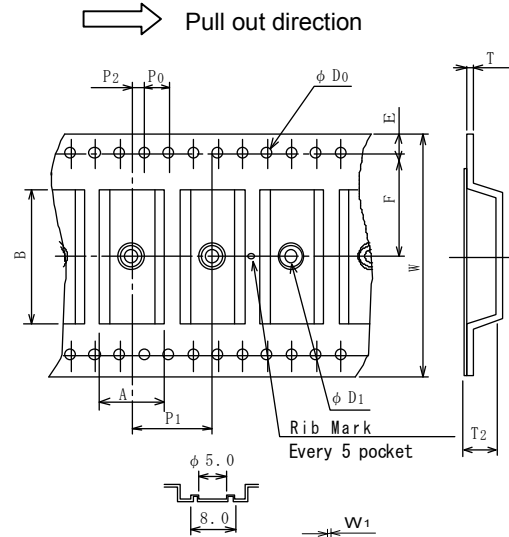


PACKING SPECIFICATION

SOP Emboss Taping (TE1/TE2)

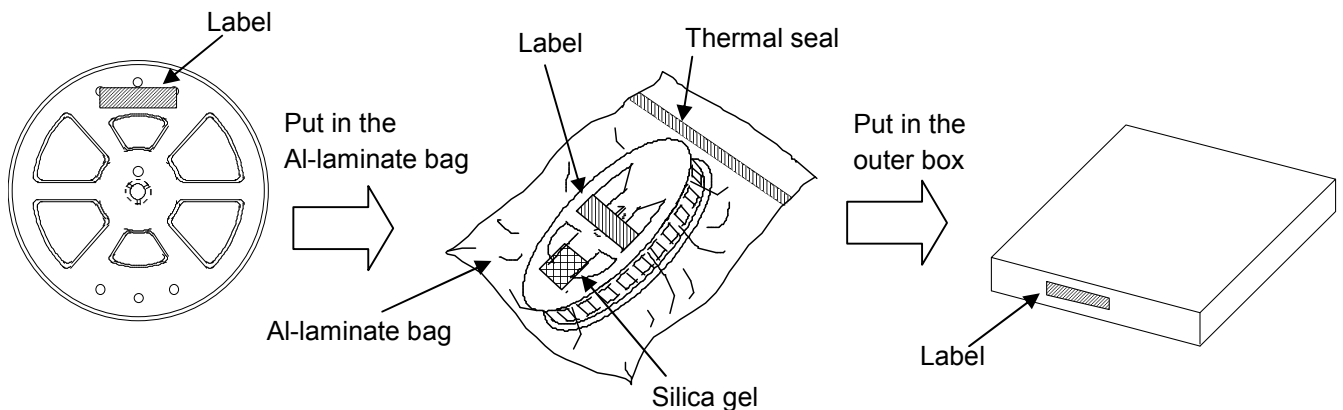
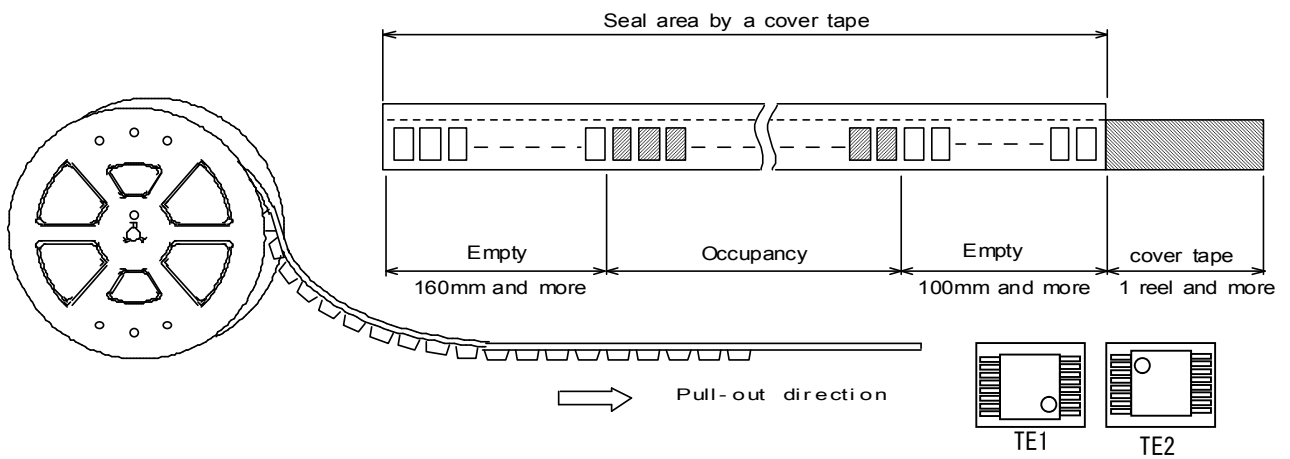
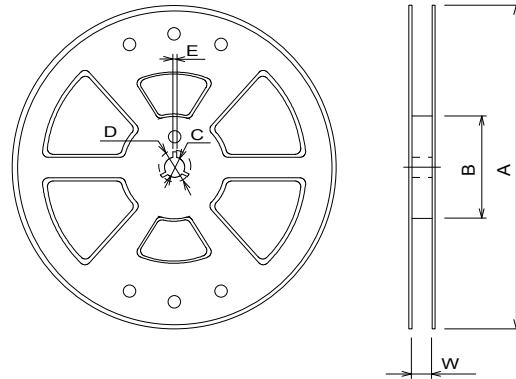
Symbol	SOP40	Remark
A	12.4±0.1	Bottom size
B	27.2±0.1	Bottom size
D ₀	1.55±0.05	
D ₁	2.05±0.05	
E	1.75±0.1	
F	20.2±0.1	
P ₀	4.0±0.1	
P ₁	16.0±0.1	
P ₂	2.0±0.15	
T	0.3±0.05	
T ₂	3.67	
W	44.0±0.3	

Unit : mm



Symbol	SOP40
A	Ø330±2
B	Ø80±1
C	Ø13±0.2
D	Ø21±0.8
E	2±0.5
W	45.5±0.5
W ₁	2
Contents	1,000 pcs

Unit : mm

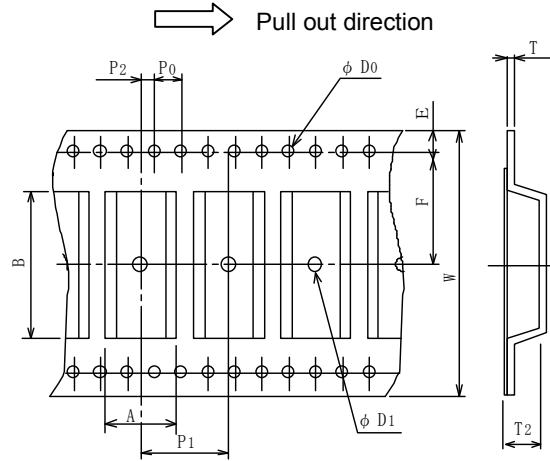


PACKING SPECIFICATION

SOP Emboss Taping (TE1/TE2)

Symbol	SOP40-K1
A	14.7±0.1
B	26.6±0.1
D ₀	1.50 +0.1/-0
D ₁	2.20±0.1
E	1.75±0.1
F	20.20±0.1
P ₀	4.00±0.1
P ₁	24.00±0.1
P ₂	2.00±0.15
T	0.30±0.05
T ₂	3.1
W	44.00±0.3

Unit : mm



Symbol	SOP40-K1
A	Ø330±2
B	Ø80±1
C	Ø13±0.5
D	Ø21±0.8
E	2±0.5
W	45.5±1
W ₁	2
Contents	750 pcs

Unit : mm

