

General Description

NJRC delivers ICs in 4 methods, plastic tube container, two kinds of Taping, tray and vinyl bag packing. Except adhesive tape treated anti electrostatic and contain carbon are using as the ESD (Electrostatic Discharge Damage) protection.

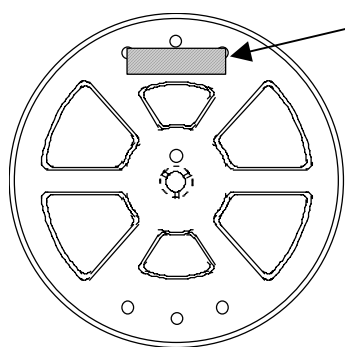
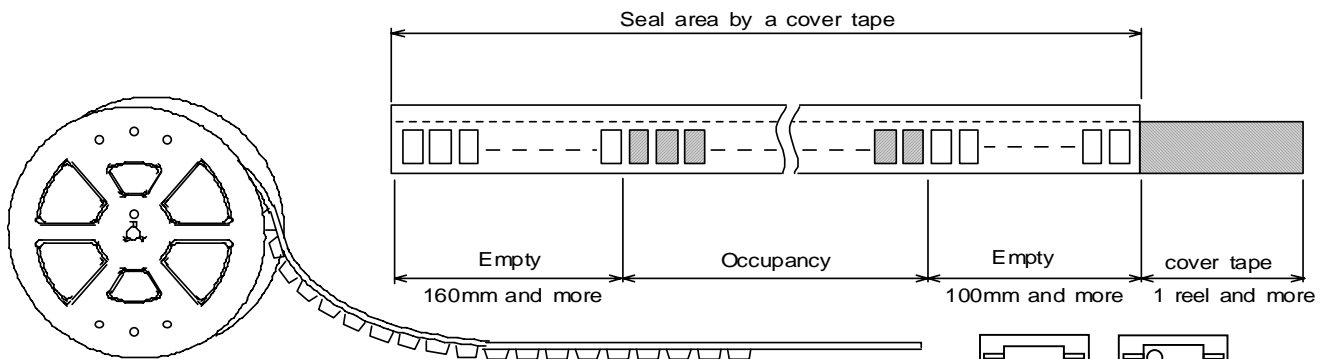
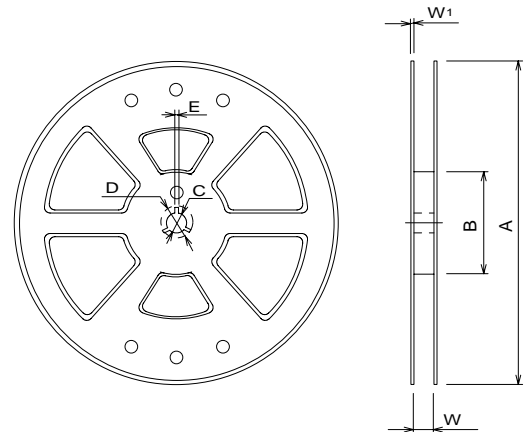
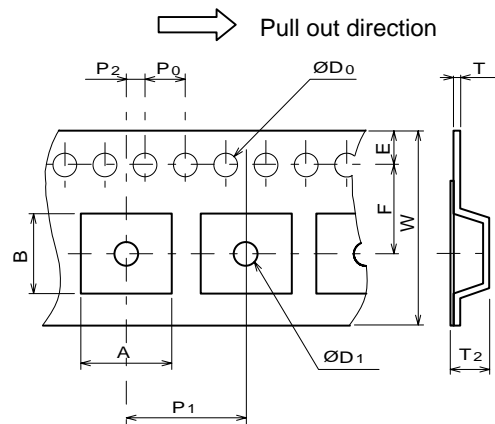
SOP JEDEC (EMP) Emboss Taping (TE1/TE2)

Symbol	SOP8 JEDEC 150 mil	SOP16 JEDEC 300 mil	SOP20 JEDEC 300 mil	SOP24 JEDEC 300 mil	Remark
A	6.6	10.9	10.9	10.9	Bottom size
B	5.4	10.7	13.3	16.0	Bottom size
D ₀	1.5	1.5+0.1/-0	1.5+0.1/-0	1.5+0.1/-0	
D ₁	1.7±0.1	1.6±0.1	1.55±0.1	1.55±0.1	
E	1.75±0.1	1.75±0.1	1.75±0.1	1.75±0.1	
F	5.5±0.05	7.5±0.1	11.5±0.1	11.5±0.1	
P ₀	4.0±0.1	4.0±0.1	4.0±0.1	4.0±0.1	
P ₁	8.0±0.1	12.0±0.1	12.0±0.1	12.0±0.1	
P ₂	2.0±0.05	2.0±0.1	2.0±0.1	2.0±0.1	
T	0.3±0.05	0.3±0.05	0.3±0.05	0.3±0.05	
T ₂	2.2	3.0±0.1	3.0±0.1	3.0±0.1	
W	12.0±0.3	16.0±0.3	24.0±0.3	24.0±0.3	
W ₁	9.5	-	-	-	

Unit : mm

Symbol	SOP8 JEDEC 150 mil	SOP16 JEDEC 300 mil	SOP20 JEDEC 300 mil	SOP24 JEDEC 300 mil
A	∅330±2	∅330±2	∅330±2	
B	∅80±1	∅100±1	∅100±1	
C	∅13±0.2	∅13+0.5/-0.2	∅13+0.5/-0.2	
D	∅21±0.8	∅20.2 and more	∅20.2 and more	
E	2±0.5	2±0.5	2±0.5	
W	13.5±0.5	16.8+0.6/-0.4	24.8+0.6/-0.4	
W ₁	2±0.2	2±0.2	2±0.2	
Contents	2,000 pcs	1,500 pcs	1,500 pcs	1,500 pcs (1,000 pcs)

Unit : mm



Put in the outer box

