

General Description

NJRC delivers ICs in 4 methods, plastic tube container, two kinds of Taping, tray and vinyl bag packing. Except adhesive tape treated anti electrostatic and contain carbon are using as the ESD (Electrostatic Discharge Damage) protection.

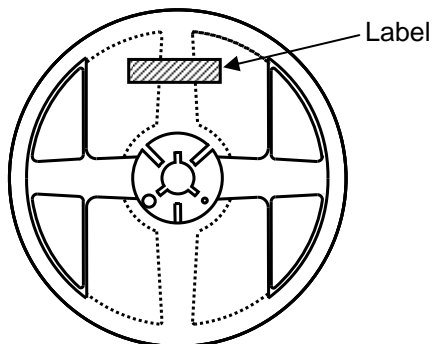
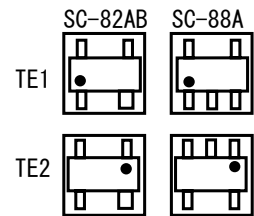
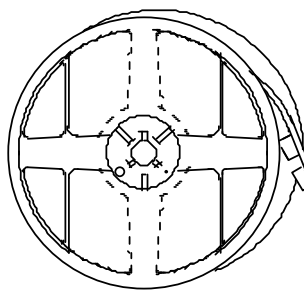
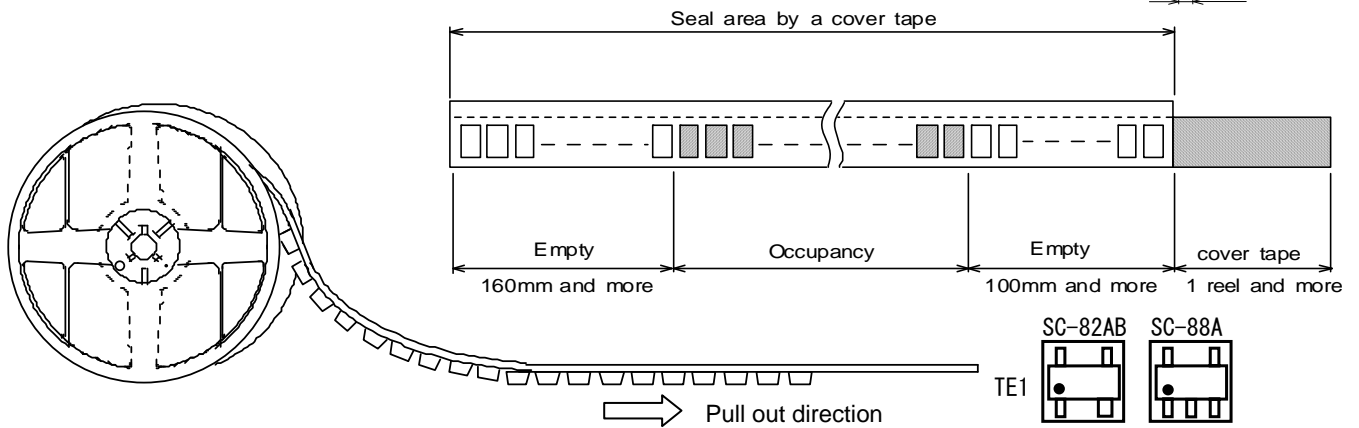
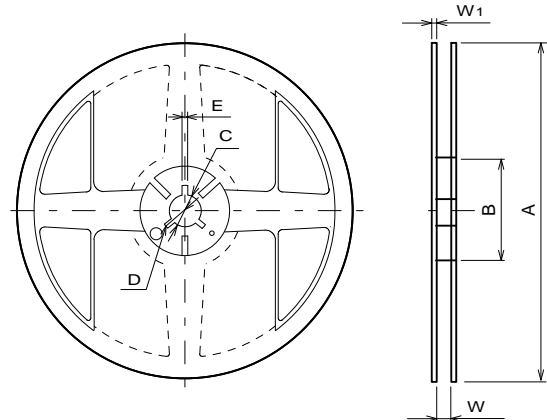
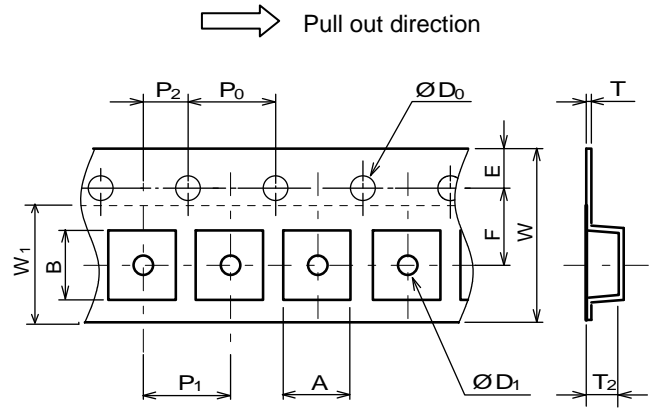
SC-82AB/SC-88A Emboss Taping (TE1/TE2)

Symbol	SC-82AB	SC-88A	Remark
A	2.30±0.1		Bottom size
B	2.50±0.1		Bottom size
D ₀	1.55±0.05		
D ₁	1.05±0.05		
E	1.75±0.1		
F	3.50±0.05		
P ₀	4.00±0.1		
P ₁	4.00±0.1		
P ₂	2.00±0.05		
T	0.25±0.05		
T ₂	1.05		
W	8.0±0.2		
W ₁	5.5		Thickness 0.1MAX

Unit : mm

Symbol	SC-82AB	SC-88A
A	∅180±1	
B	∅ 60±1	
C	∅ 13±0.2	
D	∅ 21±0.8	
E	2±0.5	
W	9±0.5	
W ₁	1.2±0.2	
Contents	3,000 pcs	

Unit : mm



Put in the outer box

