

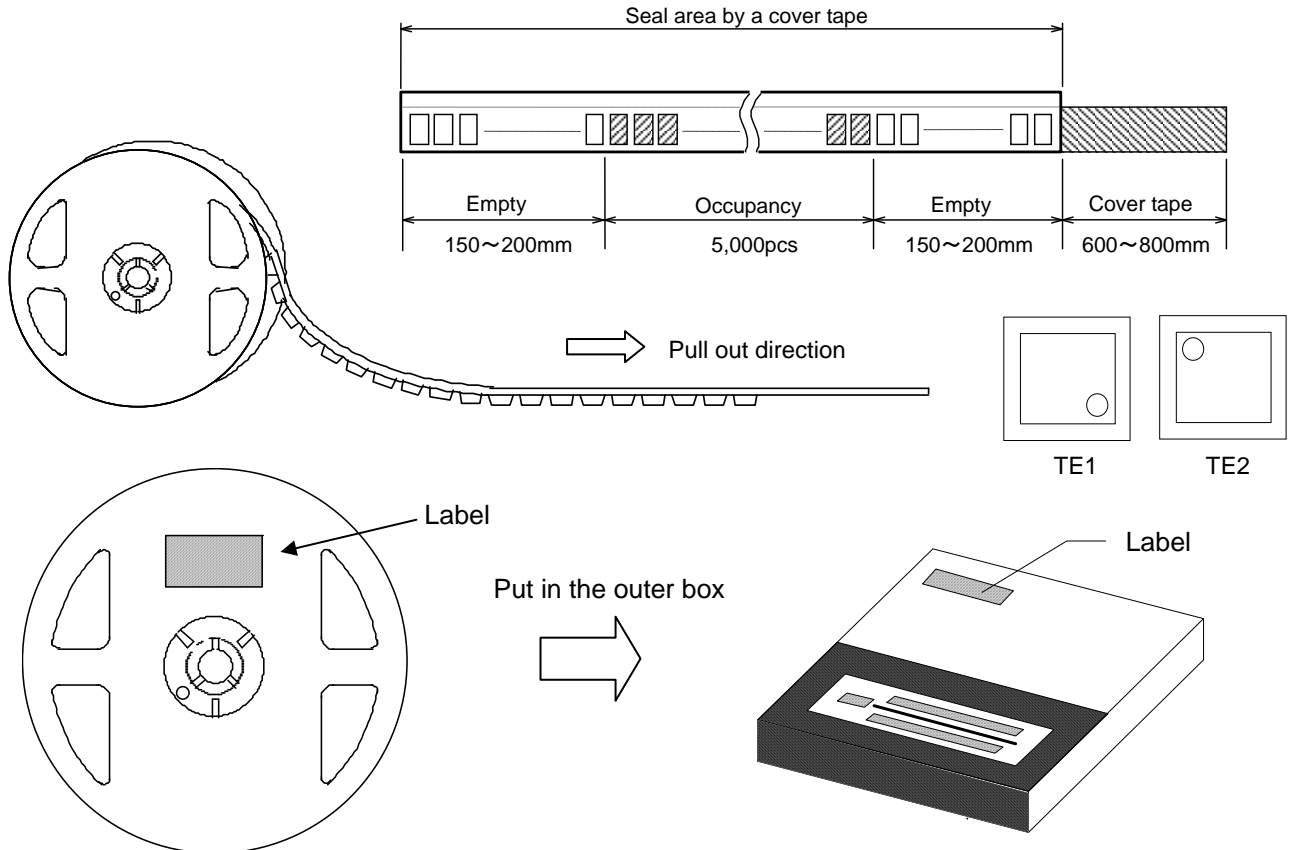
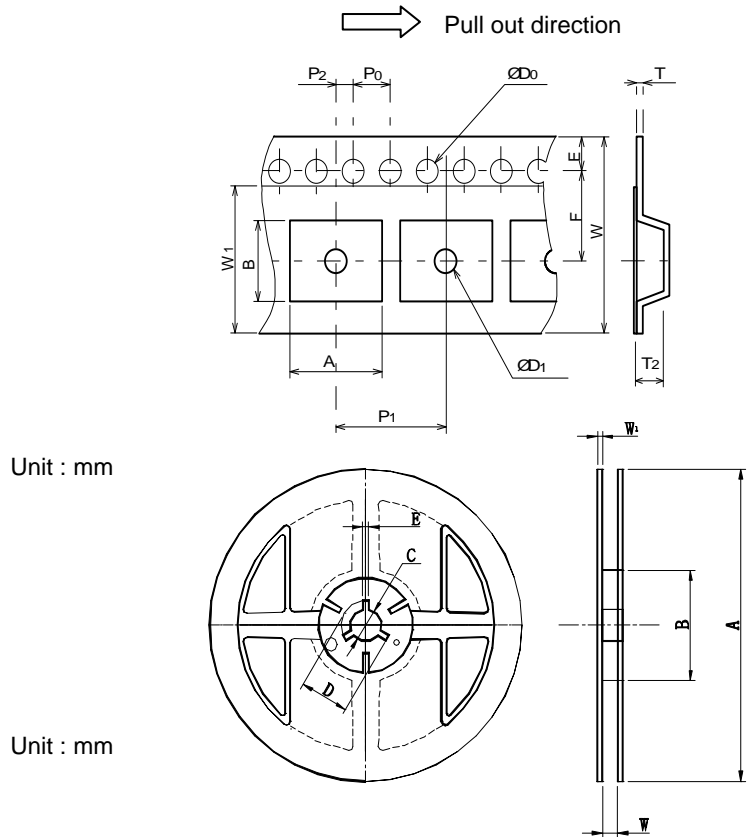
General Description

NJRC delivers ICs in 4 methods, plastic tube container, two kinds of Taping, tray and vinyl bag packing. Except adhesive tape treated anti electrostatic and contain carbon are using as the ESD (Electrostatic Discharge Damage) protection.

QFN Emboss Taping (TE1,2)

Symbol	QFN12-51	Remark
A	2.33±0.05	Bottom size
B	2.20±0.05	Bottom size
D ₀	1.5 +0.1/-0	
D ₁	0.5±0.1	
E	1.75±0.1	
F	3.5±0.05	
P ₀	4.0±0.1	
P ₁	4.0±0.1	
P ₂	2.0±0.05	
T	0.2±0.05	
T ₂	0.58	
W	8.0 +0.3/-0.1	
W ₁	5.5±0.1	0.06 Max

Symbol	QFN12-51
A	∅180 +0/-3
B	∅60±1/-0
C	∅ 13±0.2
D	∅ 21±0.8
E	2±0.5
W	9.0±0.3
W ₁	1.2
Contents	5,000pcs



PACKING SPECIFICATION

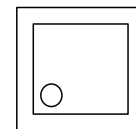
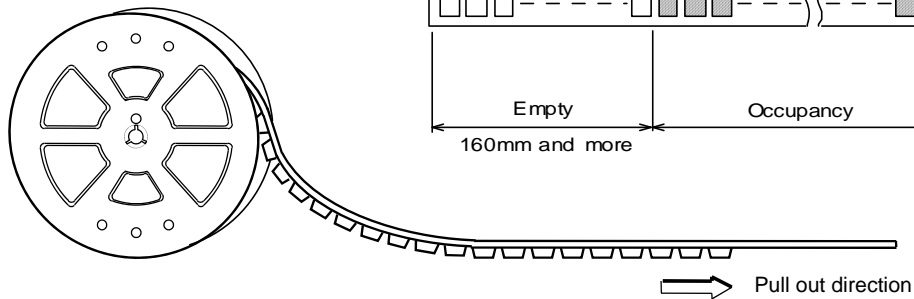
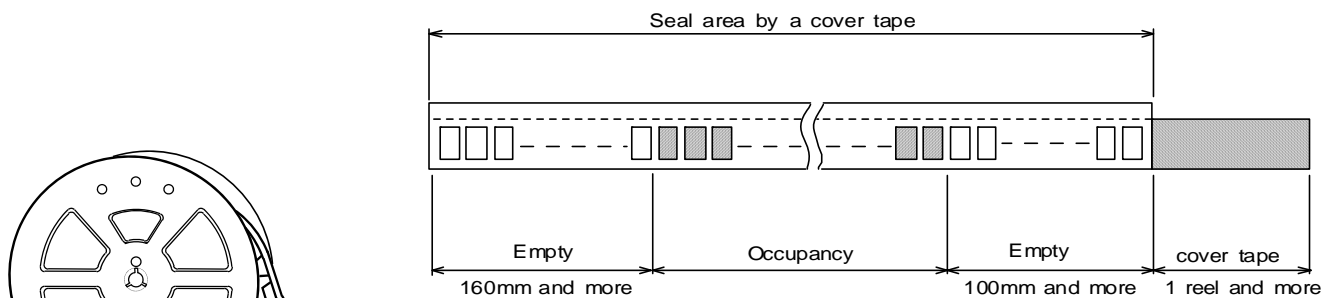
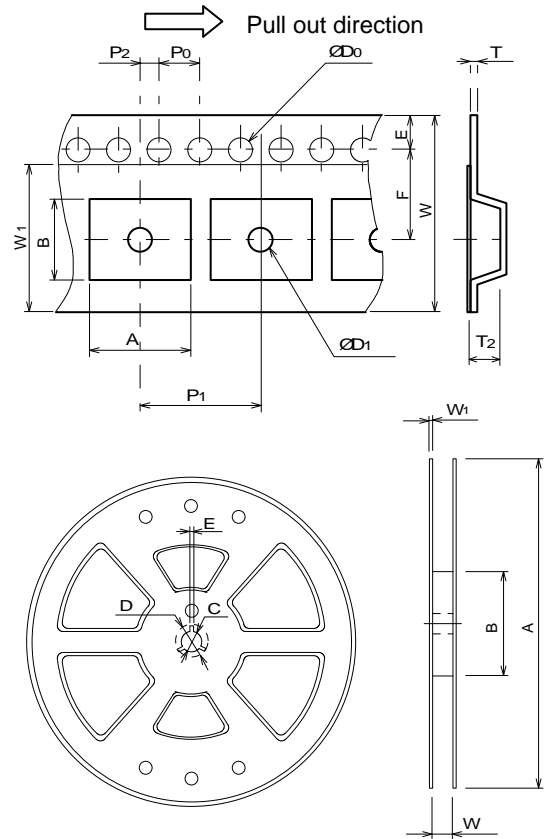
QFN Emboss Taping (TE4)

Symbol	QFN20-M1	QFN28-N1/N2	QFN28-P4	Remark
A	4.4±0.1	5.6±0.1	4.9±0.1	Bottom size
B	4.4±0.1	5.6±0.1	4.9±0.1	Bottom size
D ₀	1.5±0.1	1.5±0.1	1.5±0.1	
D ₁	1.55±0.05	1.55±0.05	1.55±0.05	
E	1.75±0.1	1.75±0.1	1.75±0.1	
F	5.5±0.05	5.5±0.05	5.5±0.05	
P ₀	4.0±0.1	4.0±0.1	4.0±0.1	
P ₁	8.0±0.1	8.0±0.1	8.0±0.1	
P ₂	2.0±0.05	2.0±0.05	2.0±0.05	
T	0.3±0.05	0.3±0.05	0.3±0.05	
T ₂	1.4	1.4	1.4	
W	12.0±0.2	12.0±0.2	12.0±0.2	
W ₁	9.5	9.5	9.5	Thickness 0.1MAX

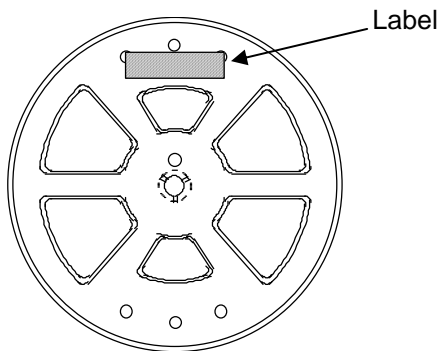
Unit : mm

Symbol	QFN20-M1	QFN28-N1/N2	QFN28-P4
A		∅300±2	
B		∅100±1	
C		∅ 13±0.2	
D		∅ 21±0.8	
E		2±0.5	
W		13.5±0.5	
W ₁		2±0.2	
Contents		3,000 pcs	

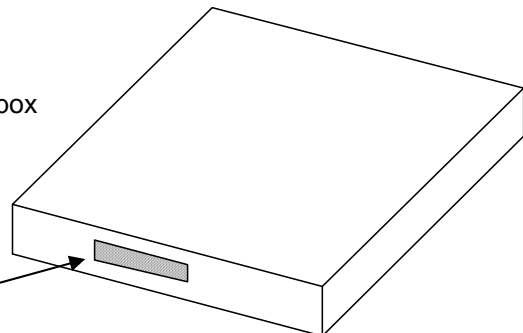
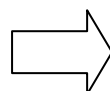
Unit : mm



TE4



Put in the outer box



Label