

## General Description

NJRC delivers ICs in 4 methods, plastic tube container, two kinds of Taping, tray and vinyl bag packing. Except adhesive tape treated anti electrostatic and contain carbon are using as the ESD ( Electrostatic Discharge Damage ) protection.

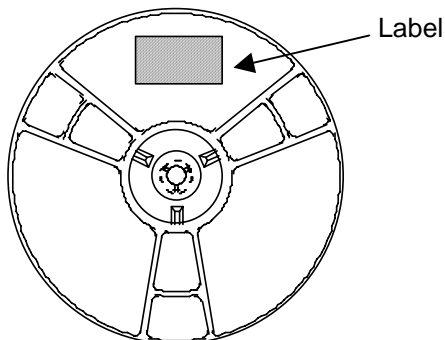
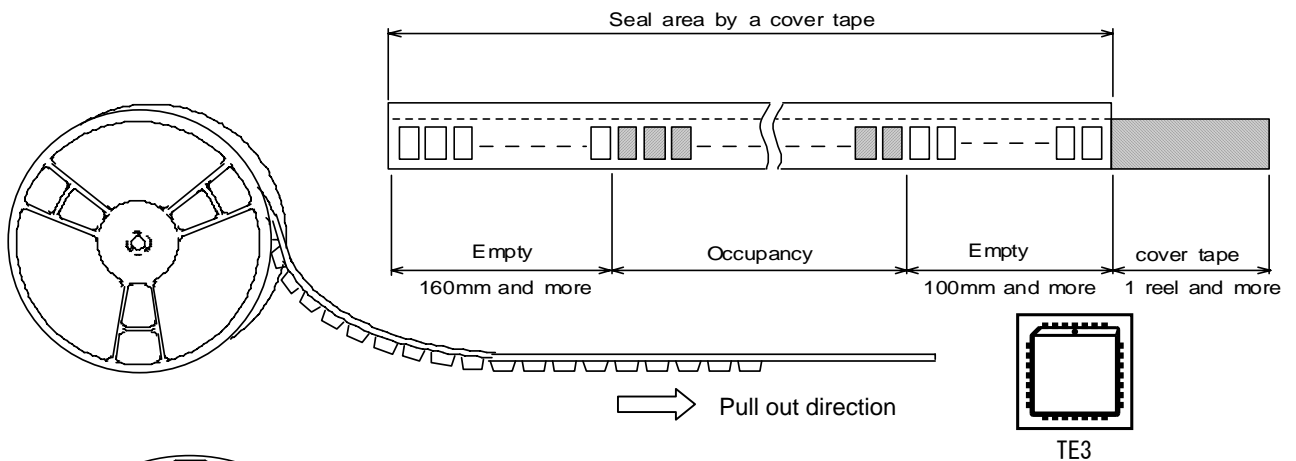
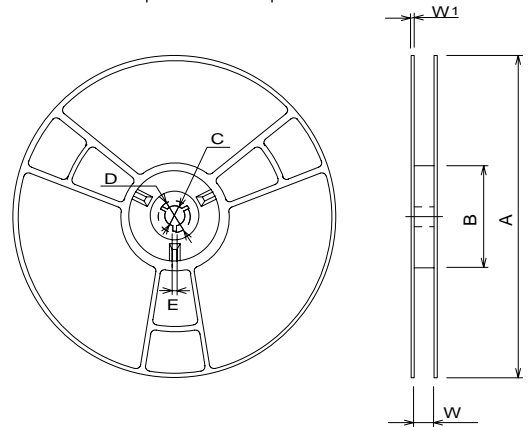
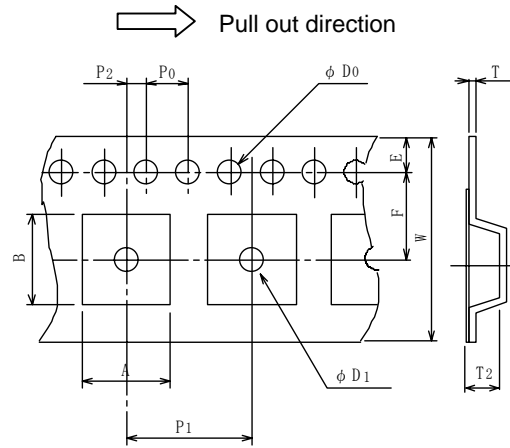
### PLCC Emboss Taping (TE3)

Symbol	PLCC28-M2	Remark
A	13.0	Bottom size
B	13.0	Bottom size
D <sub>0</sub>	1.5 +0.1/-0	
D <sub>1</sub>	1.55±0.1	
E	1.75±0.1	
F	11.5±0.1	
P <sub>0</sub>	4.0±0.1	
P <sub>1</sub>	16.0±0.1	
P <sub>2</sub>	2.0±0.1	
T	0.3±0.05	
T <sub>2</sub>	4.6	
W	24.0±0.3	
W <sub>1</sub>	13.0	Thickness 0.1MAX

Unit : mm

Symbol	PLCC28-M2
A	∅330±2
B	∅100±1
C	∅13 +0.5/-0.2
D	≥ ∅20.2
E	2±0.5
W	24±0.5
W <sub>1</sub>	2±0.2
Contents	750 pcs

Unit : mm



Put in the outer box

