

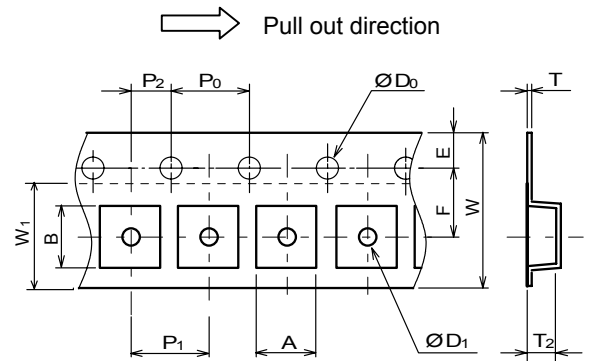
General Description

NJRC delivers ICs in 4 methods, plastic tube container, two kinds of Taping, tray and vinyl bag packing. Except adhesive tape treated anti electrostatic and contain carbon are using as the ESD (Electrostatic Discharge Damage) protection.

PCSP Emboss Taping (TE1/TE2)

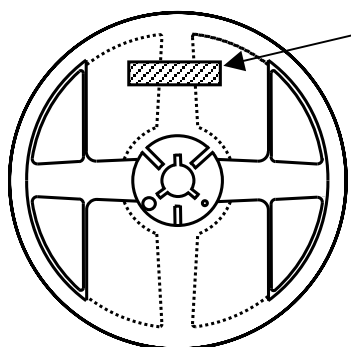
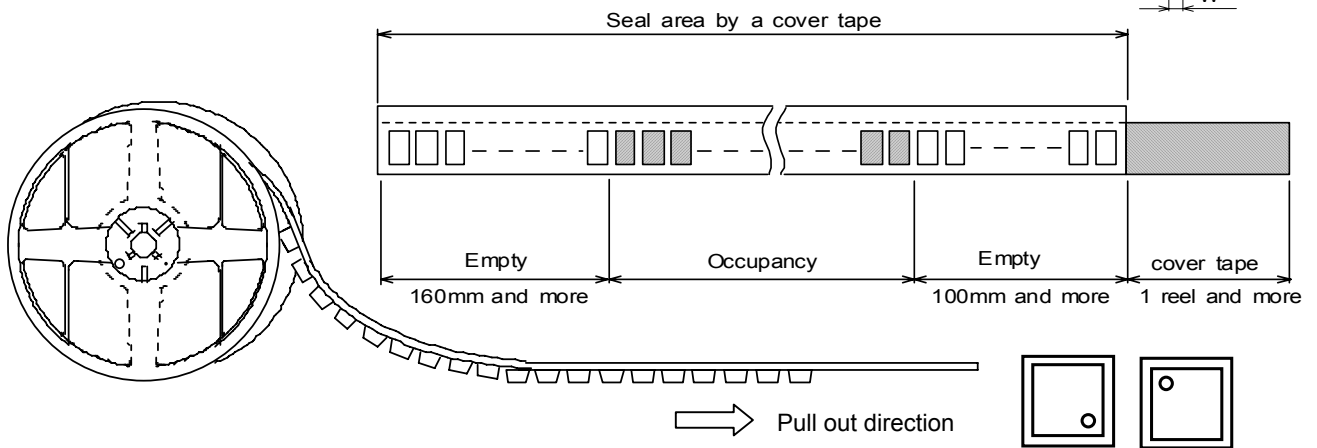
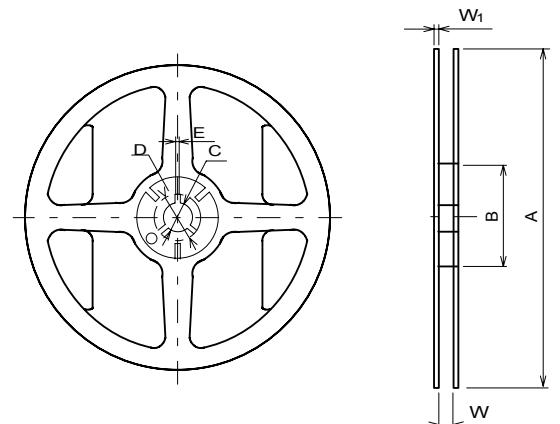
Symbol	PCSP12-C3	PCSP14-C3	PCSP20-CC	Remark
A	2.8±0.1	2.95±0.1	2.95±0.1	Bottom size
B	2.8±0.1	2.95±0.1	2.95±0.1	Bottom size
D ₀	1.5 +0.1/-0	1.5 +0.1/-0	1.5 +0.1/-0	
D ₁	1.0 +0.2/-0	1.0 +0.2/-0	1.0 +0.2/-0	
E	1.75±0.1	1.75±0.1	1.75±0.1	
F	3.5±0.05	3.5±0.05	3.5±0.05	
P ₀	4.0±0.1	4.0±0.1	4.0±0.1	
P ₁	4.0±0.1	4.0±0.1	4.0±0.1	
P ₂	2.0±0.05	2.0±0.05	2.0±0.05	
T	0.3±0.05	0.3±0.05	0.3±0.05	
T ₂	1.3	1.15		
W	8.0±0.2	8.0±0.2	8.0±0.2	
W ₁	5.5	5.5		Thickness 0.1MAX

Unit : mm

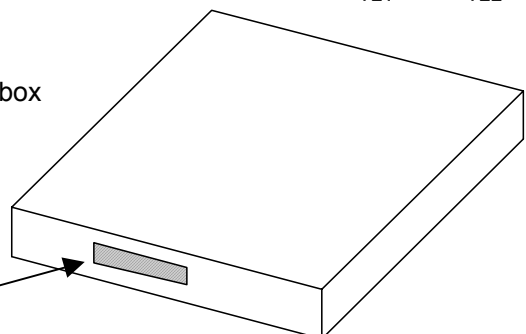
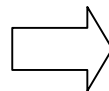


Symbol	PCSP12-C3	PCSP14-C3	PCSP20-CC
A		Ø180 +0/-1.5	
B		Ø 60 +1 /-0	
C		Ø 13±0.2	
D		Ø 21±0.8	
E		2±0.5	
W		9 +0.3/-0	
W ₁		1.2	
Contents		3,000pcs	

Unit : mm



Put in the outer box

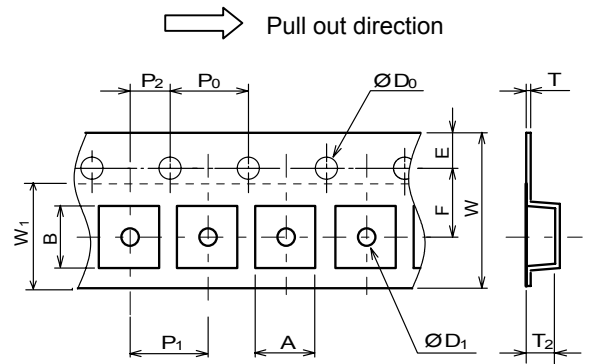


PACKING SPECIFICATION

PCSP Emboss Taping (TE1/TE2)

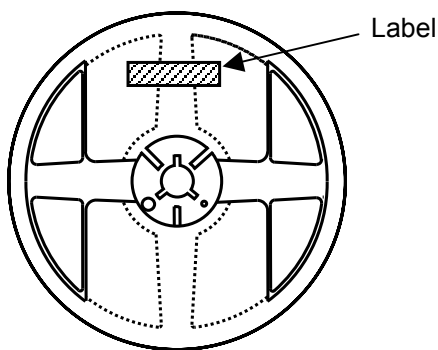
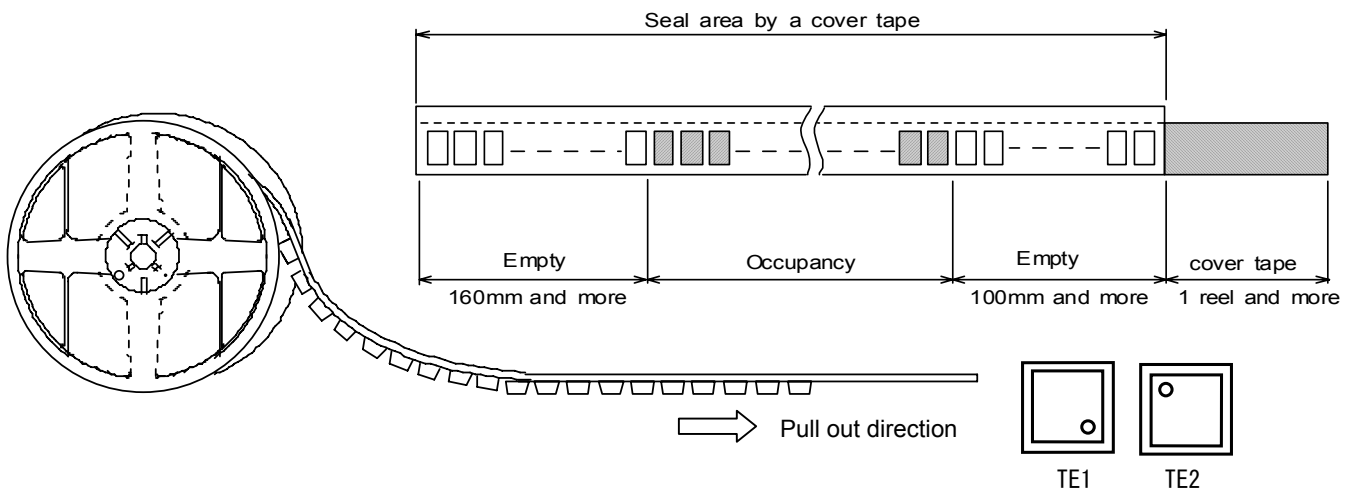
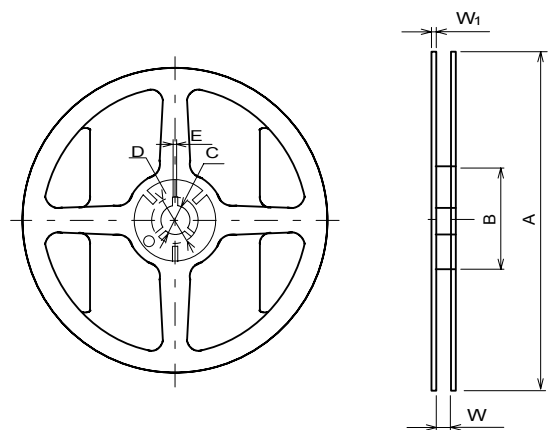
Symbol	PCSP16-E4	PCSP20-E3	PCSP24-ED	Remark
A		3.8±0.1		Bottom size
B		3.8±0.1		Bottom size
D ₀		1.5 +0.1/-0		
D ₁		1.5 +0.2/-0		
E		1.75±0.1		
F		5.5±0.05		
P ₀		4.0±0.1		
P ₁		8.0±0.1		
P ₂		2.0±0.05		
T		0.3±0.05		
T ₂		1.3		
W		12.0±0.3		
W ₁		9.5		Thickness 0.1MAX

Unit : mm

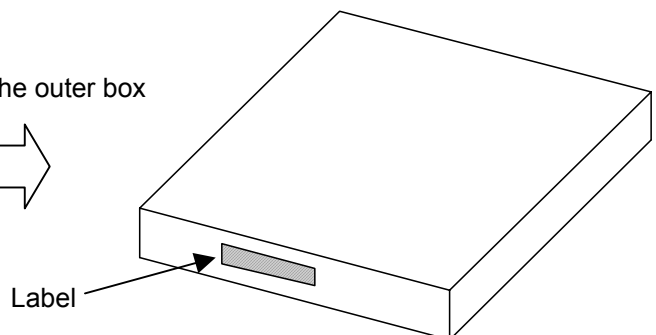
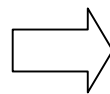


Symbol	PCSP16-E4	PCSP20-E3	PCSP24-ED
A		φ180 +0/-1.5	
B		φ 60 +1/-0	
C		φ 13±0.2	
D		φ 21±0.8	
E		2±0.5	
W		13.0 +0.3/-0	
W ₁		1.2	
Contents		1,500pcs	

Unit : mm



Put in the outer box

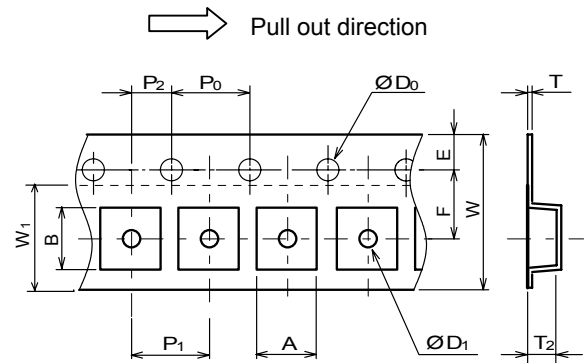


PACKING SPECIFICATION

PCSP Emboss Taping (TE1/TE2)

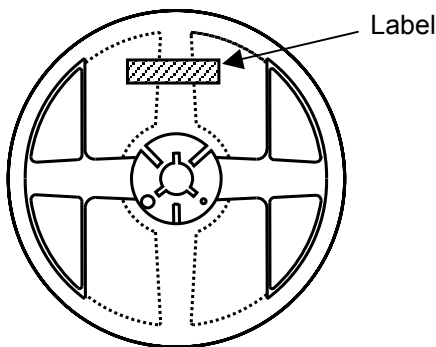
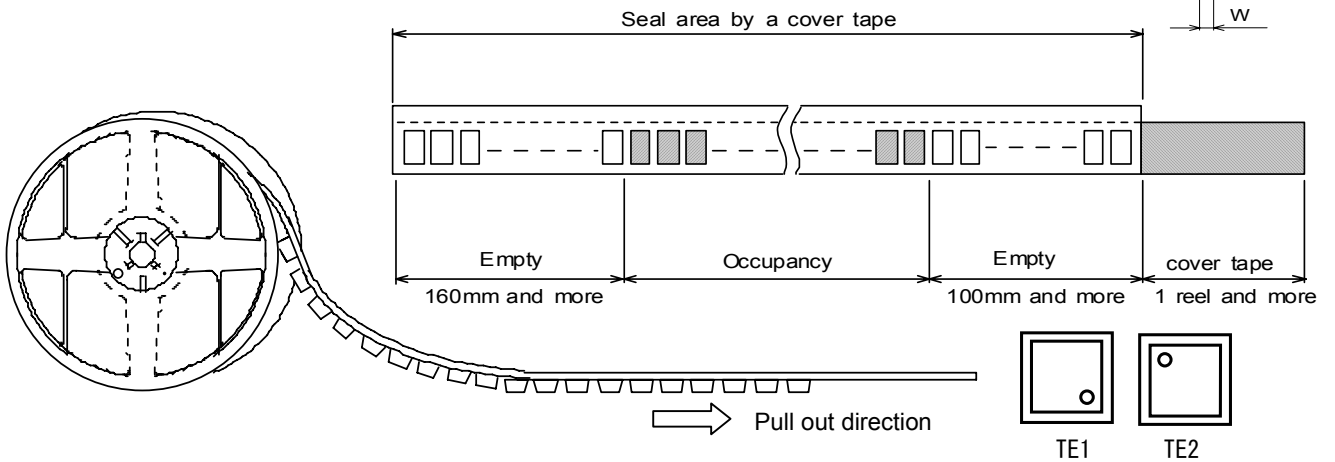
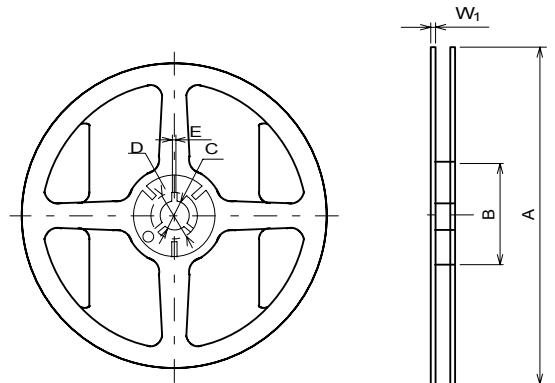
Symbol	PCSP32-F7	Remark
A	4.35±0.05	Bottom size
B	4.35±0.05	Bottom size
D ₀	1.5 +0.1/-0	
D ₁	1.0 +0.1/-0	
E	1.75±0.1	
F	5.5 ±0.05	
P ₀	4.0 ±0.1	
P ₁	8.0 ±0.1	
P ₂	2.0 ±0.05	
T	0.3±0.05	
T ₂	1.4	
W	12.0±0.3	
W ₁	9.5	Thickness 0.1MAX

Unit : mm

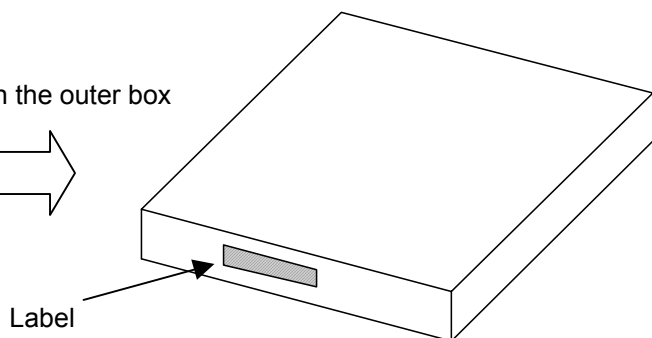
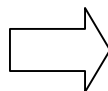


Symbol	PCSP32-F7
A	φ180 +0/-1.5
B	φ 60 +1/-0
C	φ 13±0.2
D	φ 21±0.8
E	2±0.5
W	13.0 +0.3/-0
W ₁	1.2
Contents	1,000pcs

Unit : mm



Put in the outer box

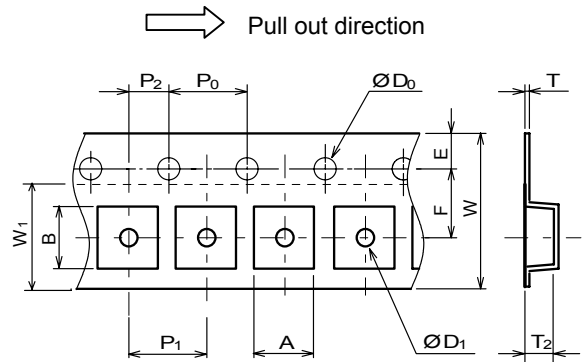


PACKING SPECIFICATION

PCSP Emboss Taping (TE1/TE2)

Symbol	PCSP32-G3	PCSP32-GD	Remark
A		4.80±0.1	Bottom size
B		4.80±0.1	Bottom size
D ₀		1.5 +0.1/-0	
D ₁		1.5 +0.2/-0	
E		1.75±0.1	
F		5.5±0.05	
P ₀		4.0±0.1	
P ₁		8.0±0.1	
P ₂		2.0±0.05	
T		0.3±0.05	
T ₂		1.3	
W		12.0±0.3	
W ₁		9.5	Thickness 0.1MAX

Unit : mm



Symbol	PCSP32-G3	PCSP32-GD
A		φ180 +0/-1.5
B		φ 60 +1/-0
C		φ 13±0.2
D		φ 21±0.8
E		2±0.5
W		13.0 +0.3/-0
W ₁		1.2
Contents		1,500pcs

Unit : mm

