

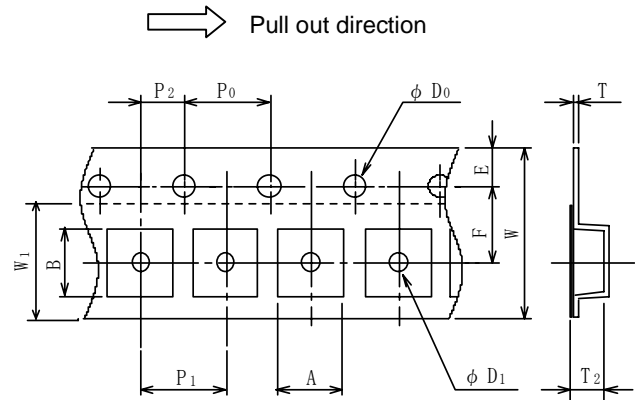
## General Description

NJRC delivers ICs in 4 methods, plastic tube container, two kinds of Taping, tray and vinyl bag packing. Except adhesive tape treated anti electrostatic and contain carbon are using as the ESD ( Electrostatic Discharge Damage ) protection.

## MSOP (VSP/TVSP) Emboss Taping (TE1/TE2)

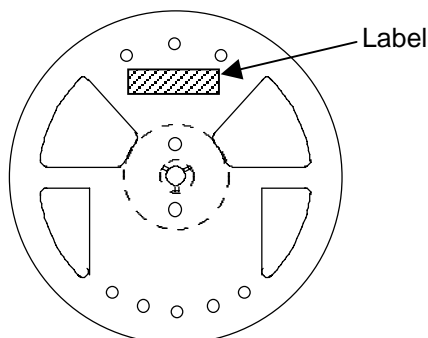
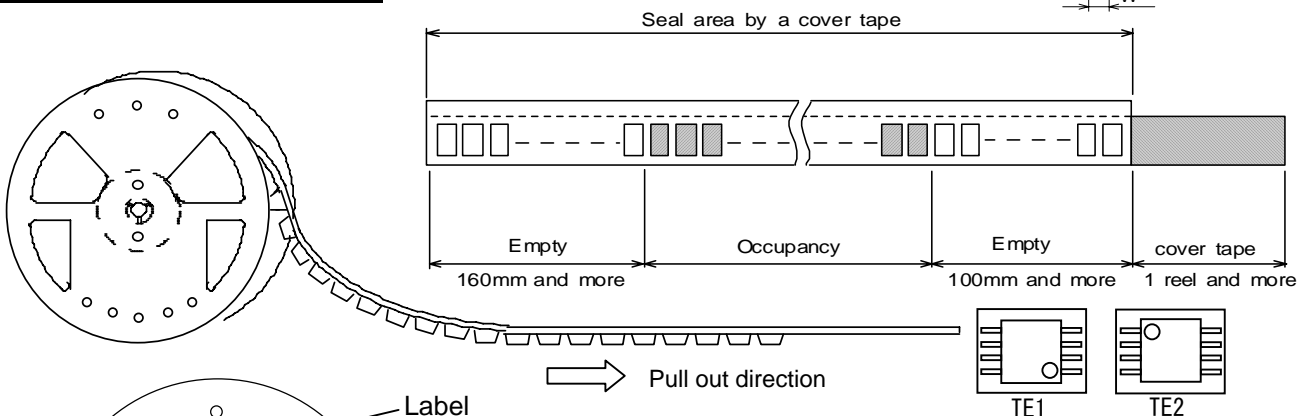
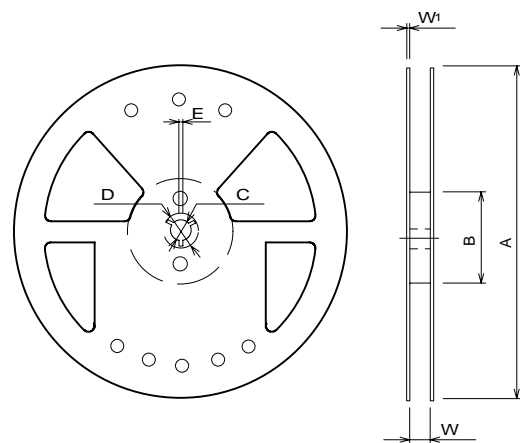
Symbol	MSOP8/10 (VSP8/10) * *MEETJEDEC MO-187-DA	MSOP8/10 (TVSP8/10) * *MEETJEDEC MO-187-DA / THIN TYPE	Remark
A	4.4	4.4	Bottom size
B	3.2	3.2	Bottom size
D <sub>0</sub>	1.5+0.1/-0	1.5+0.1/-0	
D <sub>1</sub>	1.5+0.1/-0	1.5+0.1/-0	
E	1.75±0.1	1.75±0.1	
F	5.5±0.05	5.5±0.05	
P <sub>0</sub>	4.0±0.1	4.0±0.1	
P <sub>1</sub>	8.0±0.1	8.0±0.1	
P <sub>2</sub>	2.0±0.05	2.0±0.05	
T	0.3±0.05	0.3±0.05	
T <sub>2</sub>	1.7	1.45	
W	12.0±0.3	12.0±0.3	
W <sub>1</sub>	9.5	9.5	Thickness 0.1MAX

Unit : mm



Symbol	MSOP8/10 (VSP8/10) * *MEETJEDEC MO-187-DA	MSOP8/10 (TVSP8/10) * *MEETJEDEC MO-187-DA / THIN TYPE
A		$\phi 254 \pm 2$
B		$\phi 100 \pm 1$
C		$\phi 13 \pm 0.2$
D		$\phi 21 \pm 0.8$
E		2±0.5
W		13.5±0.5
W <sub>1</sub>		2±0.2
Contents	2,000 pcs	

Unit : mm



Put in the outer box

