

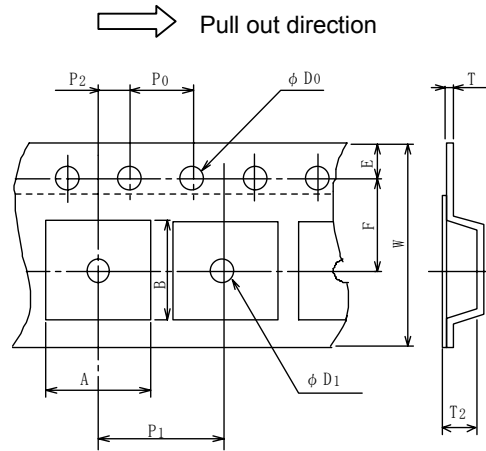
## General Description

NJRC delivers ICs in 4 methods, plastic tube container, two kinds of Taping, tray and vinyl bag packing. Except adhesive tape treated anti electrostatic and contain carbon are using as the ESD ( Electrostatic Discharge Damage ) protection.

### HSOP Emboss Taping (TE1/TE2)

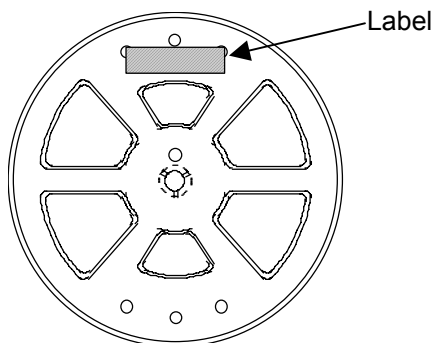
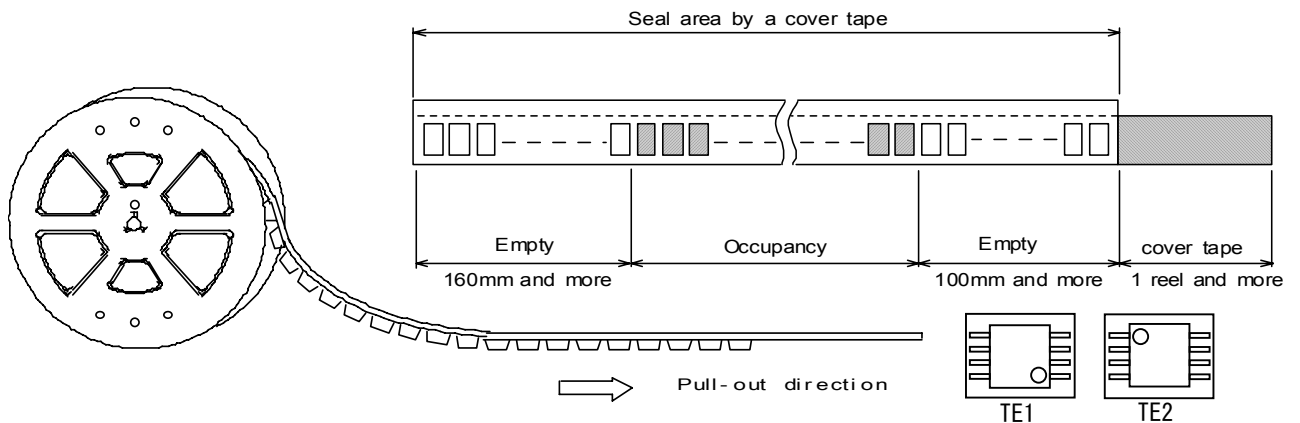
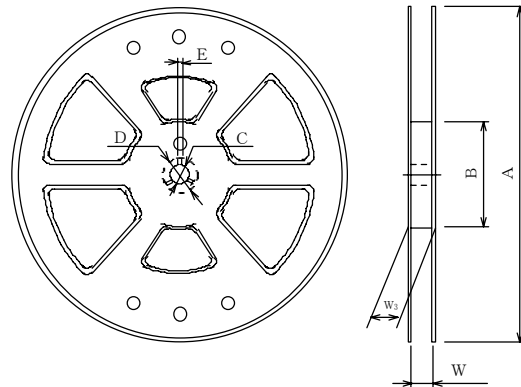
Symbol	HSOP8
A	6.7 ±0.1
B	5.55 ±0.10
D <sub>0</sub>	1.55 ±0.05
D <sub>1</sub>	2.05 ±0.05
E	1.75 ±0.10
F	5.50 ±0.05
P <sub>0</sub>	4.0 ±0.1
P <sub>1</sub>	8.0 ±0.1
P <sub>2</sub>	2.00 ±0.05
T	0.30 ±0.05
T <sub>2</sub>	2.17
W	12.0 ±0.2

Unit : mm



Symbol	HSOP8
A	φ330 ±2
B	φ 80 ±1
C	φ 13.0 ±0.2
D	φ 21.0 ±0.8
E	2.0 ±0.5
W	13.5 ±0.5
W <sub>1</sub>	17.5 ±1.0
Contents	3,000pcs

Unit : mm



Put in the outer box

