

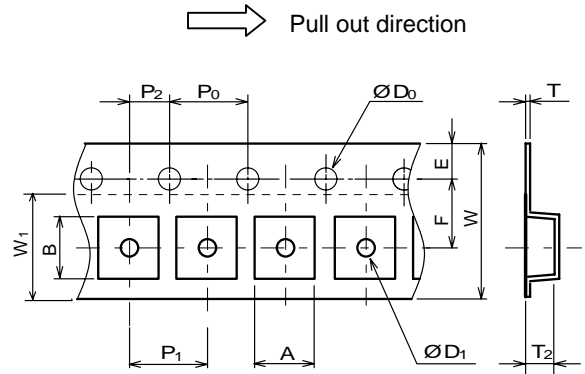
General Description

NJRC delivers ICs in 4 methods, plastic tube container, two kinds of Taping, tray and vinyl bag packing. Except adhesive tape treated anti electrostatic and contain carbon are using as the ESD (Electrostatic Discharge Damage) protection.

FLP Emboss Taping (TE1/TE2)

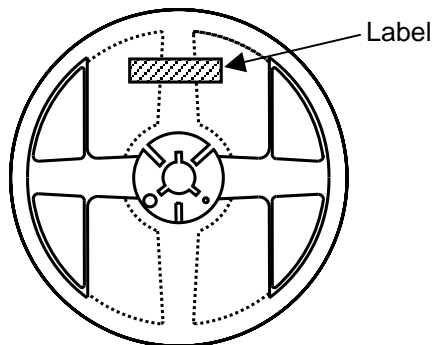
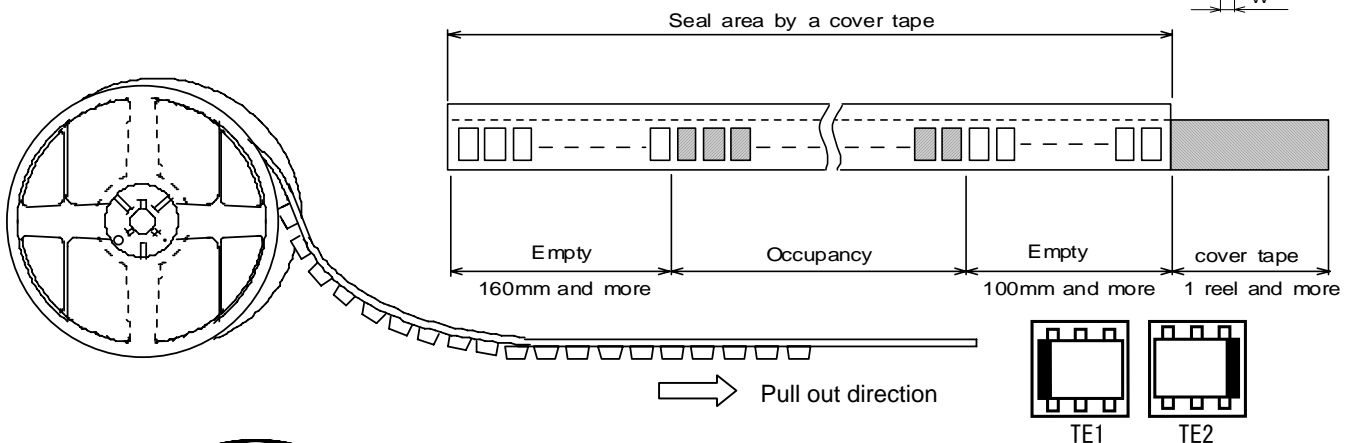
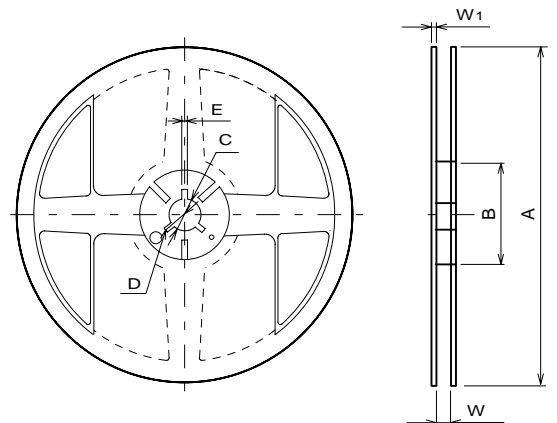
Symbol	FLP6-A1	FLP6-B2	FLP10-C1	Remark
A	1.75±0.1	2.20	3.15±0.1	Bottom size
B	1.75±0.1	2.25	3.0±0.1	Bottom size
D ₀	1.5	1.55	1.55	
D ₁	1.0	1.05	1.05	
E	1.75±0.1	1.75±0.1	1.75±0.1	
F	3.5±0.1	3.5±0.1	3.5±0.1	
P ₀	4.0±0.1	4.0±0.1	4.0±0.1	
P ₁	4.0±0.1	4.0±0.1	4.0±0.1	
P ₂	2.0±0.1	2.0±0.1	2.0±0.05	
T	0.25±0.05	0.2±0.05	0.25±0.05	
T ₂	0.65	1.1	1.1	
W	8.0±0.3	8.0±0.3	8.0±0.3	
W ₁	5.5	5.5	5.5	Thickness 0.1MAX

Unit : mm

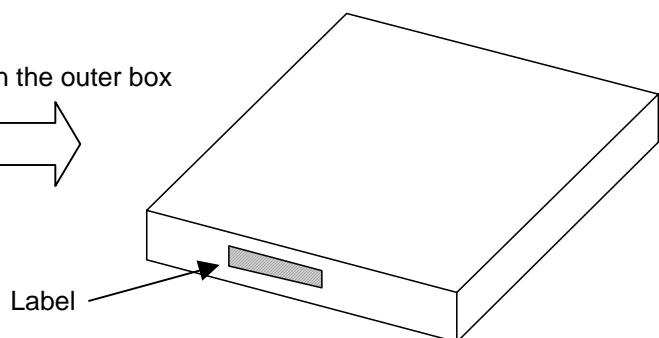
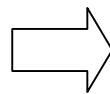


Symbol	FLP6-A1	FLP6-B2	FLP10-C1
A	∅180 +0/-3	∅180±3	
B	∅ 60 +1/-0	∅ 60±1	
C	∅ 13±0.2	∅ 13±0.2	
D	∅ 10.5±0.8	∅ 21±0.8	
E	2±0.5	2±0.5	
W	9±0.5	13±0.5	
W ₁	1.2±0.2	1.2±0.2	
Contents	4,000pcs	3,000pcs	

Unit : mm



Put in the outer box



PACKING SPECIFICATION

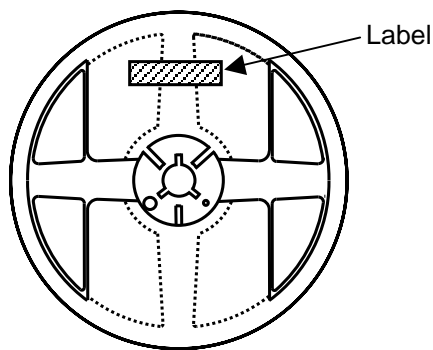
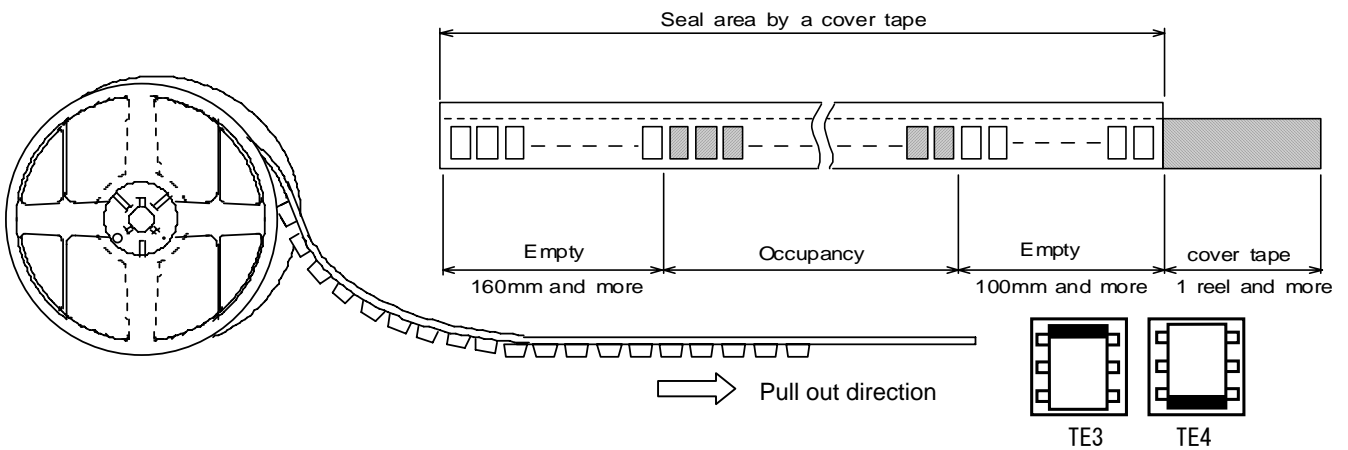
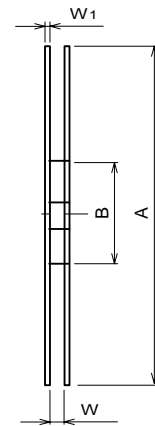
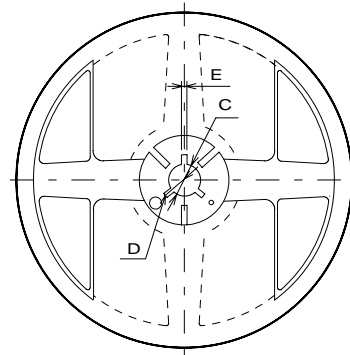
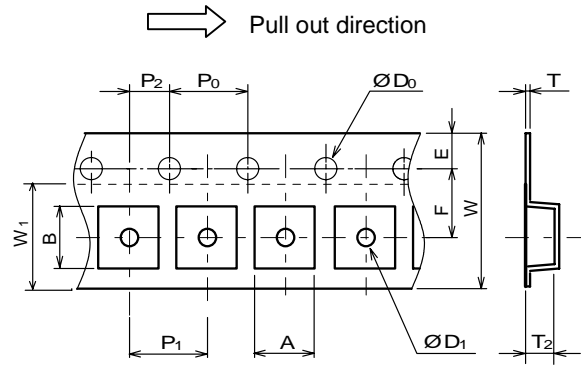
FLP Emboss Taping (TE3/TE4)

Symbol	FLP10-C1	Remark
A	3.0 +0.15/-0.1	Bottom size
B	3.4±0.1	Bottom size
D ₀	1.55	
D ₁	1.05	
E	1.75±0.1	
F	5.5±0.1	
P ₀	4.0±0.1	
P ₁	4.0±0.1	
P ₂	2.0±0.05	
T	0.25±0.05	
T ₂	1.1	
W	12.0±0.3	
W ₁	9.5	Thickness 0.1MAX

Unit : mm

Symbol	FLP10-C1
A	∅180±3
B	∅60±1
C	∅13±0.2
D	∅21±0.8
E	2±0.5
W	13±0.5
W ₁	1.2±0.2
Contents	3,000pcs

Unit : mm



Put in the outer box

