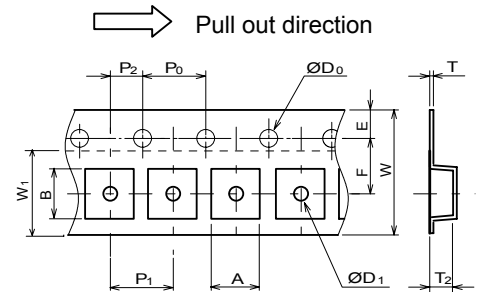


General Description

NJRC delivers ICs in 4 methods, plastic tube container, two kinds of Taping, tray and vinyl bag packing. Except adhesive tape treated anti electrostatic and contain carbon are using as the ESD (Electrostatic Discharge Damage) protection.

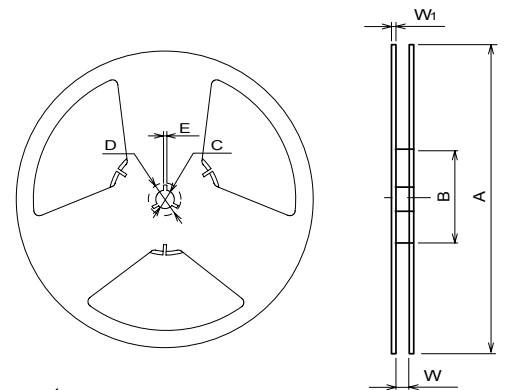
FFP Emboss Taping (TE1/TE2)

Symbol	FFP12-B7	FFP12-B4	FFP12-B1	FFP16-B5	Remark
A	2.3 ±0.1		2.3 ±0.1		Bottom size
B	2.3 ±0.1		2.3 ±0.1		Bottom size
D ₀	1.5 +0.1/-0		1.5 +0.1/-0		
D ₁	1.0 +0.2/-0		1.0 +0.2/-0		
E	1.75±0.10		1.75±0.10		
F	3.50±0.05		3.50±0.05		
P ₀	4.0 ±0.1		4.0 ±0.1		
P ₁	4.0 ±0.1		4.0 ±0.1		
P ₂	2.00±0.05		2.00±0.05		
T	0.30±0.05		0.30±0.05		
T ₂	1.15		1.3		
W	8.0 ±0.2		8.0 ±0.2		
W ₁	5.5		5.5		Thickness 0.1MAX

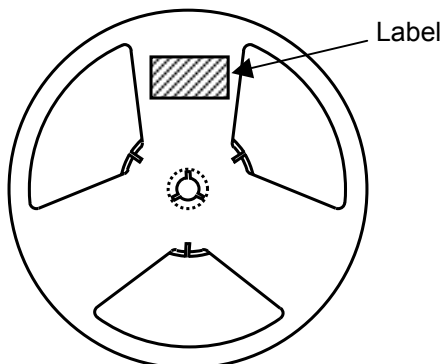
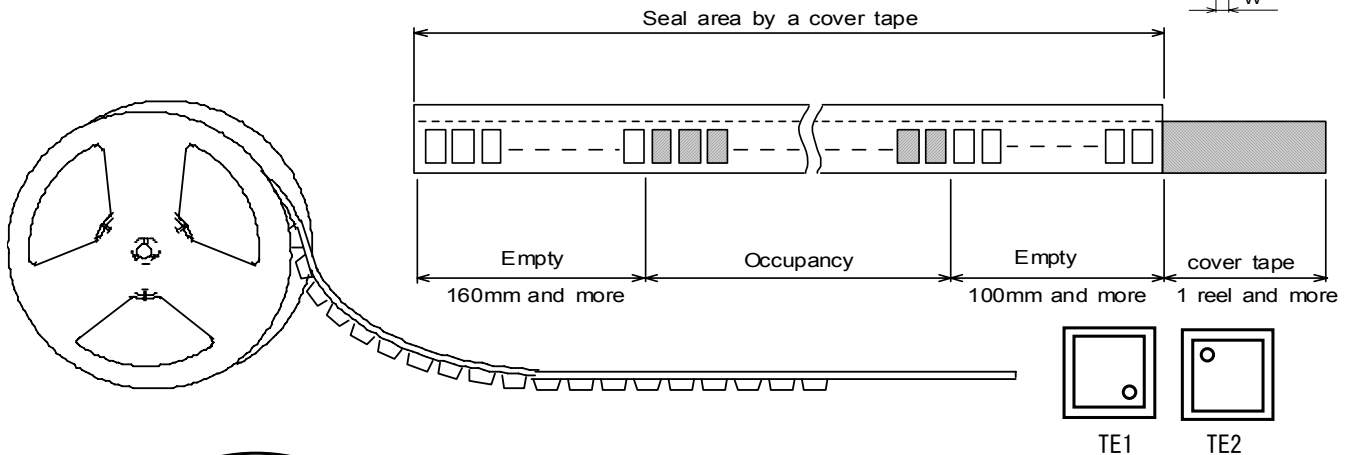


Unit : mm

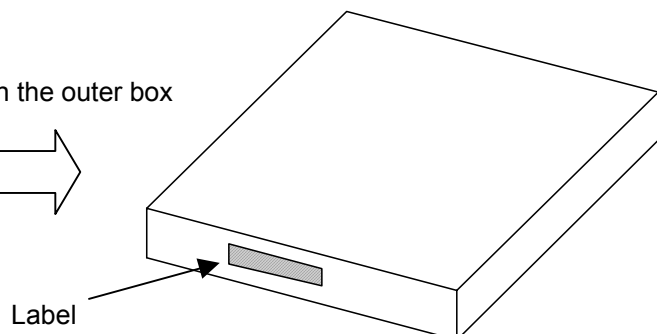
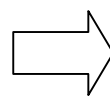
Symbol	FFP12-B7	FFP12-B4	FFP12-B1	FFP16-B5
A	φ180 +0/-1.5		φ255±1	
B	φ 60 +1/-0		φ80±1	
C	φ 13±0.2		φ13±0.3	
D	φ 21±0.8		≥φ 20.2	
E	2±0.5		2±0.5	
W	9 +0.3/-0		9.5±0.3	
W ₁	1.2		2.0	
Contents	3,000pcs		4,000pcs	



Unit : mm



Put in the outer box

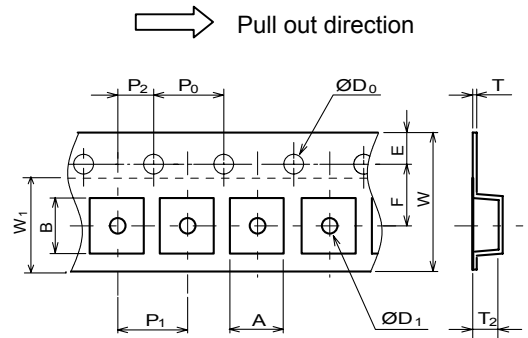


PACKING SPECIFICATION

FFP Emboss Taping (TE1/TE2)

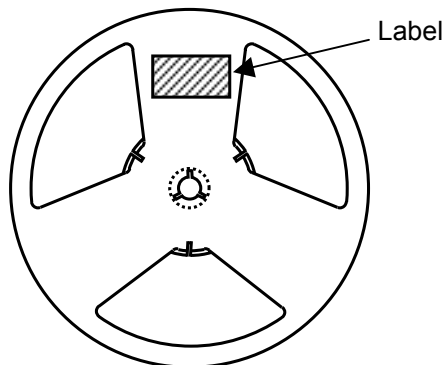
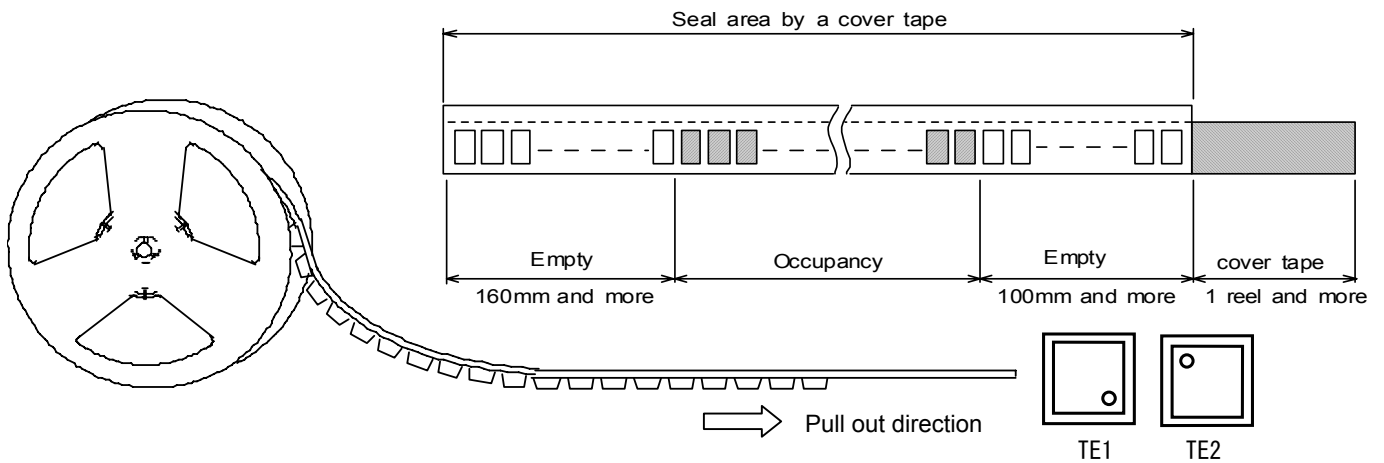
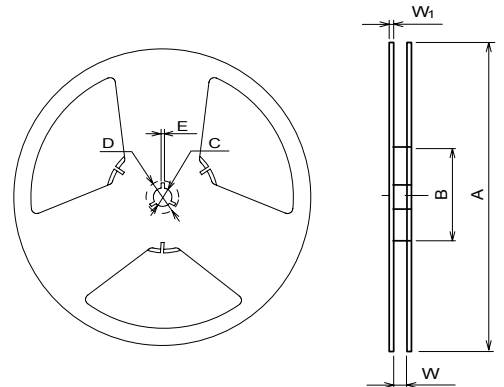
Symbol	FFP16-C1	FFP24-E1	FFP32-G1	Remark
A	2.8±0.1	3.8±0.1	4.8±0.1	Bottom size
B	2.8±0.1	3.8±0.1	4.8±0.1	Bottom size
D ₀	1.5 +0.1/-0	1.5 +0.1/-0	1.5 +0.1/-0	
D ₁	1.0 +0.2/-0	1.5 +0.2/-0	1.5 +0.2/-0	
E	1.75±0.1	1.75±0.1	1.75±0.1	
F	3.5±0.05	5.5±0.05	5.5±0.05	
P ₀	4.0±0.1	4.0±0.1	4.0±0.1	
P ₁	4.0±0.1	8.0±0.1	8.0±0.1	
P ₂	2.0±0.01	2.0±0.05	2.0±0.05	
T	0.3±0.05	0.3±0.05	0.3±0.05	
T ₂	0.65	1.3	1.3	
W	8.0±0.2	12.0±0.3	12.0±0.3	
W ₁	-	9.5	9.5	Thickness 0.1MAX

Unit : mm



Symbol	FFP16-C1	FFP24-E1	FFP32-G1
A	φ180 +0/-1.5	φ255±1	
B	φ 60 +1/-0	φ 80±1	
C	φ 13±0.2	φ13±0.3	
D	φ 21±0.8	≥φ20.2	
E	2±0.5	2±0.5	
W	9 +0.3/-0	13.5±0.5	
W ₁	1.2	2.0	
Contents	4,000pcs	2,000pcs	

Unit : mm



Put in the outer box

