

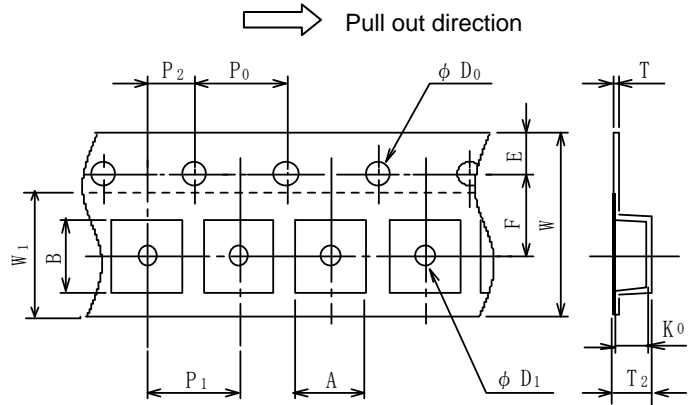
General Description

NJRC delivers ICs in 4 methods, plastic tube container, two kinds of Taping, tray and vinyl bag packing. Except adhesive tape treated anti electrostatic and contain carbon are using as the ESD (Electrostatic Discharge Damage) protection.

EQFN Emboss Taping (TE1/TE2)

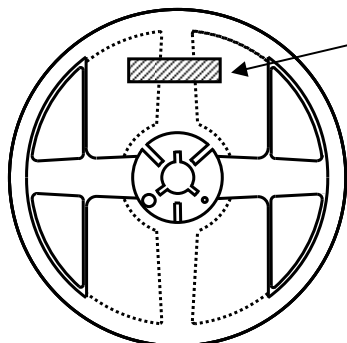
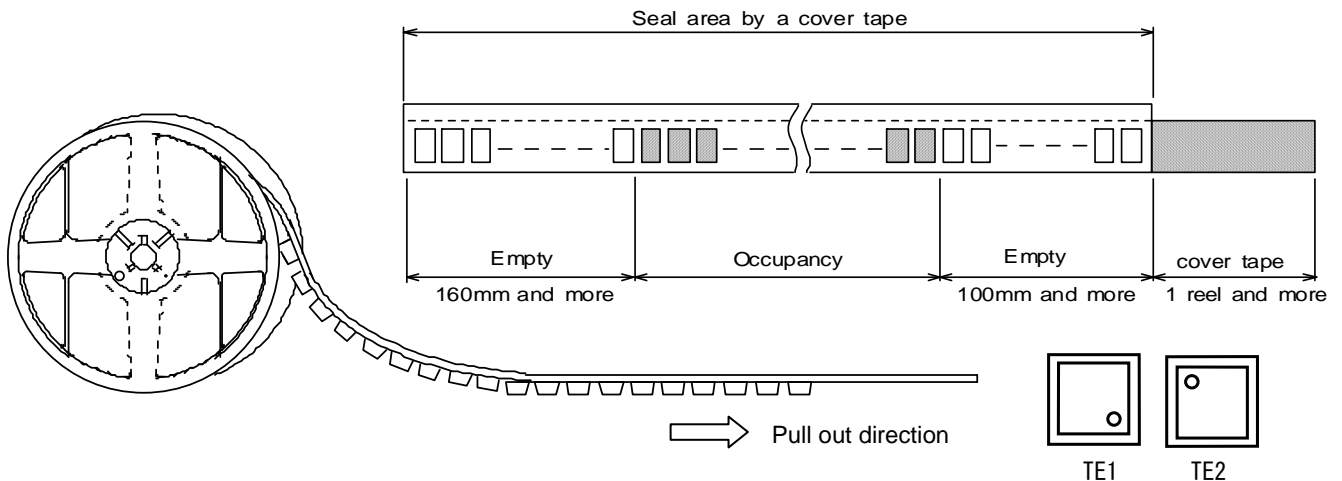
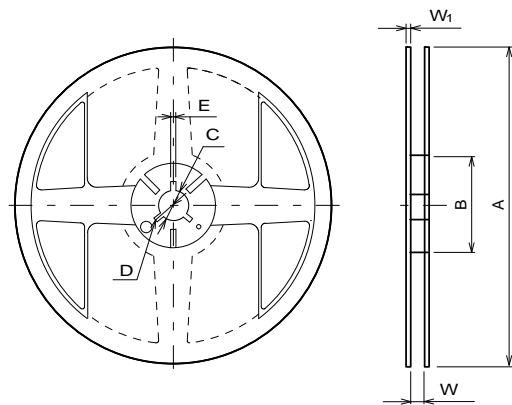
Symbol	EQFN12-E2	EQFN12-JE	Remark
A	2.00±0.05	3.30±0.1	Bottom size
B	2.00±0.05	3.30±0.1	Bottom size
D ₀	1.5 +0.1/-0	1.5 +0.1/-0	
D ₁	0.5±0.1	1.5 +0.1/-0	
E	1.75±0.1	1.75±0.1	
F	3.5±0.05	5.5±0.05	
P ₀	4.0±0.1	4.0±0.1	
P ₁	4.0±0.1	8.0±0.1	
P ₂	2.0±0.05	2.0±0.05	
T	0.25±0.05	0.30±0.05	
T ₂	0.90	1.30±0.07	
K ₀	0.55±0.05	0.90±0.05	
W	8.0 +0.3/-0.1	12.0 +0.3/-0.1	
W ₁	5.5	9.5	Thickness 0.1MAX

Unit : mm

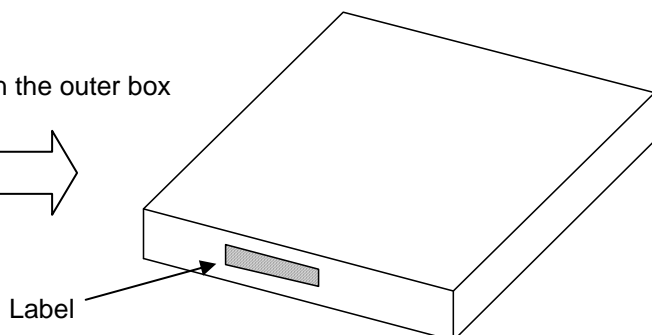
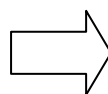


Symbol	EQFN12-E2	EQFN12-JE
A	∅180 +0/-1.5	∅180 +0/-3.0
B	∅60 +1/-0	∅60 +1/-0
C	∅ 13±0.2	∅ 13±0.2
D	∅ 21±0.8	∅ 21±0.8
E	2±0.5	2±0.5
W	9 +0.3/-0	13 +1.0/-0
Contents	3,000pcs	1,500pcs

Unit : mm



Put in the outer box

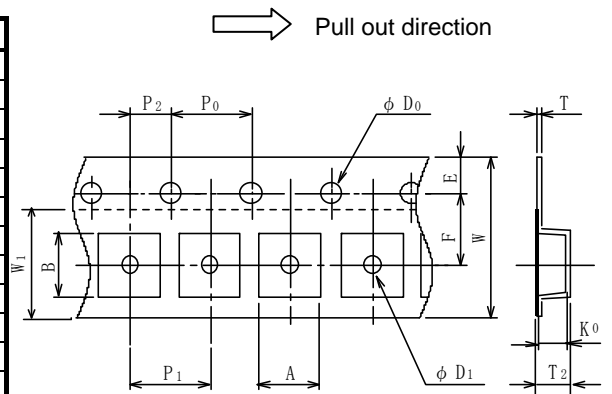


PACKING SPECIFICATION

EQFN Emboss Taping (TE1/TE2/TE3/TE4)

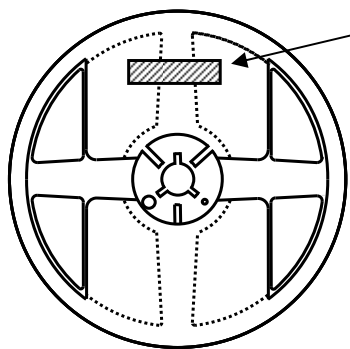
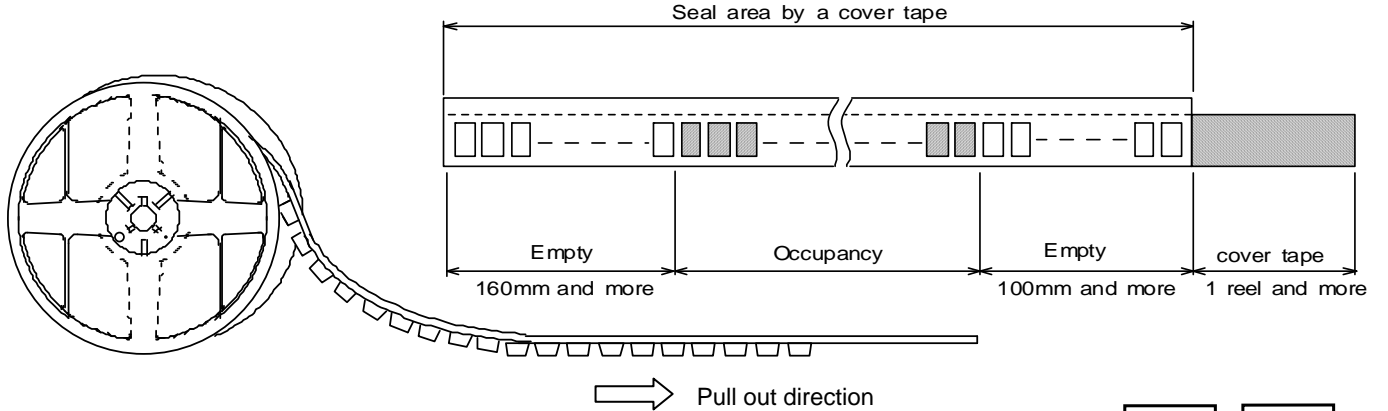
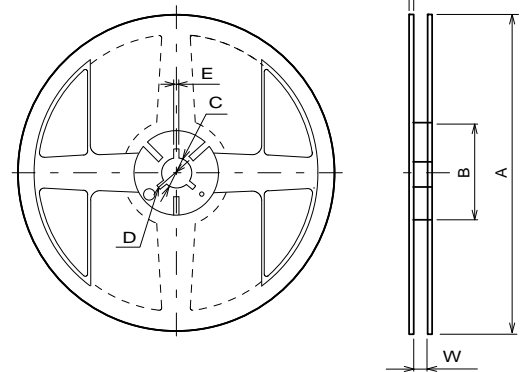
Symbol	EQFN14-D7	EQFN16-G2	EQFN16-JE	Remark
A	1.85±0.05	2.55±0.05	3.30±0.1	Bottom size
B	1.85±0.05	2.55±0.05	3.30±0.1	Bottom size
D ₀	1.5 +0.1/-0	1.5 +0.1/-0	1.5 +0.1/-0	
D ₁	0.5±0.1	0.5±0.1	1.5 +0.1/-0	
E	1.75±0.1	1.75±0.1	1.75±0.1	
F	3.5±0.05	3.5±0.05	5.5±0.05	
P ₀	4.0±0.1	4.0±0.1	4.0±0.1	
P ₁	4.0±0.1	4.0±0.1	8.0±0.1	
P ₂	2.0±0.05	2.0±0.05	2.0±0.05	
T	0.25±0.05	0.25±0.05	0.30±0.05	
T ₂	0.65±0.05	1.00±0.07	1.30±0.07	
K ₀	-	0.65±0.05	0.90±0.05	
W	8.0±0.2	8.0±0.2	12.0+0.3/-0.1	
W ₁	5.5	5.5	9.5	Thickness 0.1MAX

Unit : mm



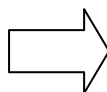
Symbol	EQFN14-D7	EQFN16-G2	EQFN16-JE
A	∅180 +0/-1.5	∅180 +0/-3.0	
B	∅60 +1/-0	∅60 +1/-0	
C	∅ 13±0.2	∅ 13±0.2	
D	∅ 21±0.8	∅ 21±0.8	
E	2±0.5	2±0.5	
W	9 +0.3/-0	13 +1.0/-0	
Contents	3,000pcs	1,500pcs	

Unit : mm

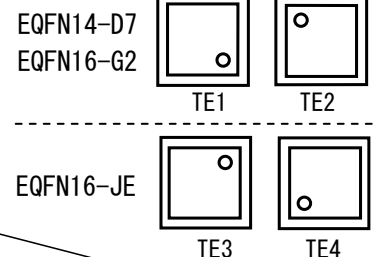
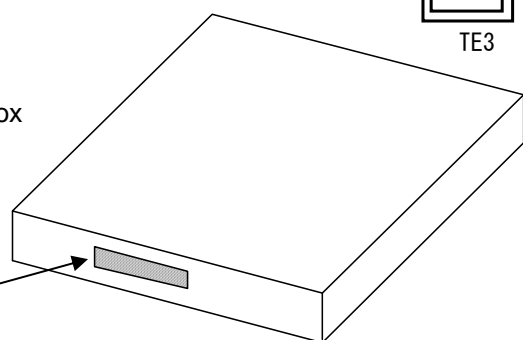


Label

Put in the outer box



Label

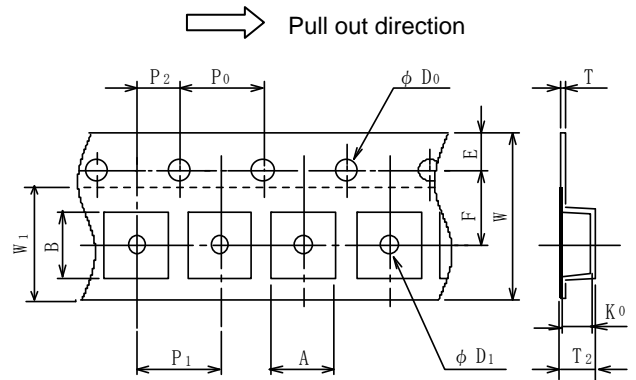


PACKING SPECIFICATION

EQFN Emboss Taping (TE1/TE2)

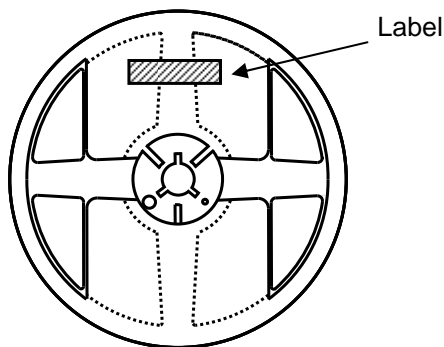
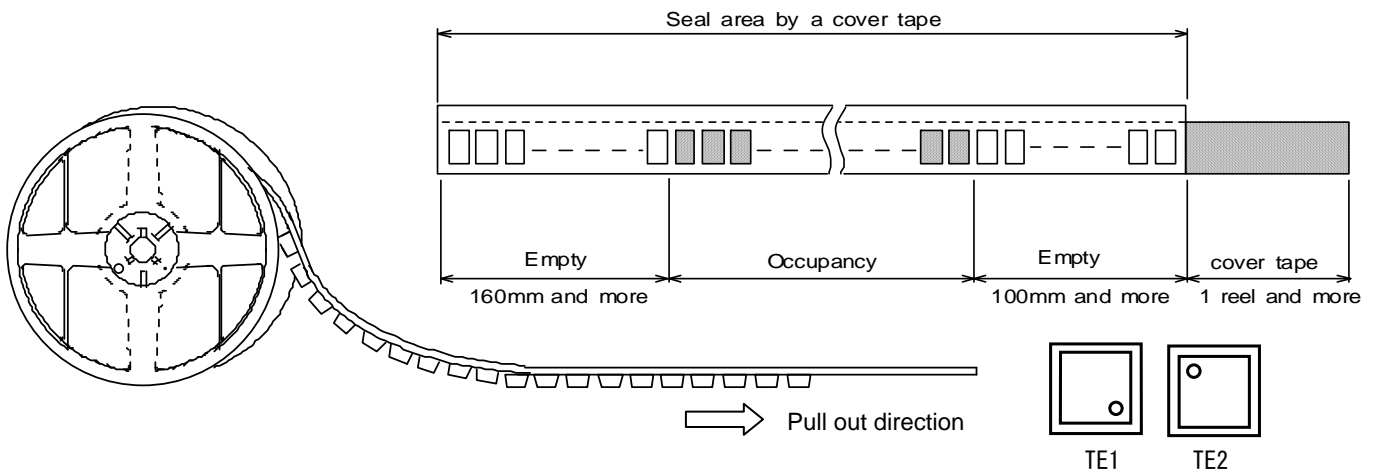
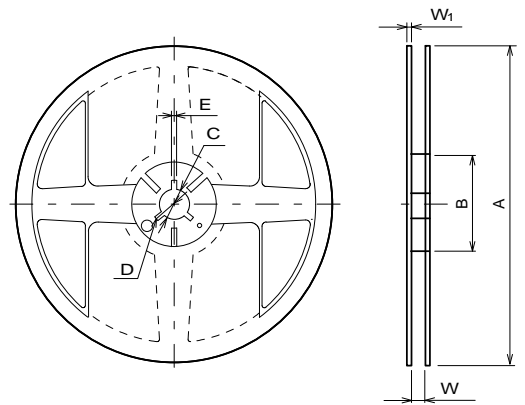
Symbol	EQFN18-E7	EQFN24-LK	EQFN24-LE	Remark
A	2.25±0.05	4.35±0.05	4.35±0.05	Bottom size
B	2.25±0.05	4.35±0.05	4.35±0.05	Bottom size
D ₀	1.5 +0.1/-0	1.5 +0.1/-0	1.5 +0.1/-0	
D ₁	0.5±0.1	1.00±0.1	1.00±0.1	
E	1.75±0.1	1.75±0.1	1.75±0.1	
F	3.5±0.05	5.50±0.05	5.50±0.05	
P ₀	4.0±0.1	4.0±0.1	4.0±0.1	
P ₁	4.0±0.1	8.0±0.1	8.0±0.1	
P ₂	2.0±0.05	2.0±0.05	2.0±0.05	
T	0.25±0.05	0.3±0.05	0.3±0.05	
T ₂	1.00±0.07	1.30±0.07	1.30±0.07	
K ₀	0.65±0.05	-	-	
W	8.0±0.2	12.0±0.3	12.0±0.3	
W ₁	5.5	9.5	9.5	Thickness 0.1MAX

Unit : mm

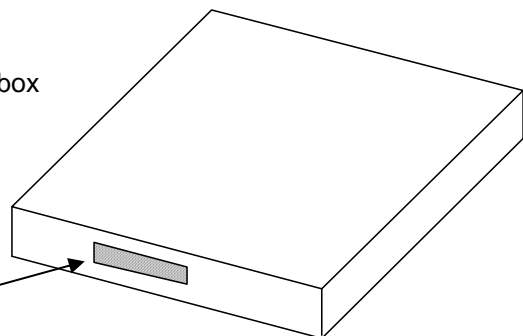
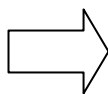


Symbol	EQFN18-E7	EQFN24-LK	EQFN24-LE
A	∅180 +0/-1.5	∅180 +0/-1.5	
B	∅60 +1/-0	∅60 +1/-0	
C	∅ 13±0.2	∅ 13±0.2	
D	∅ 21±0.8	∅ 21±0.8	
E	2±0.5	2±0.5	
W	9 +0.3/-0	13 +1.0/-0	
W ₁	1.2	1.2	
Contents	3,000pcs	1,000pcs	

Unit : mm



Put in the outer box

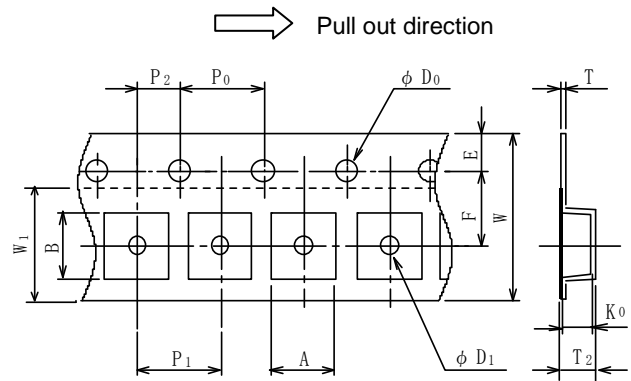


PACKING SPECIFICATION

EQFN Emboss Taping (TE1/TE2)

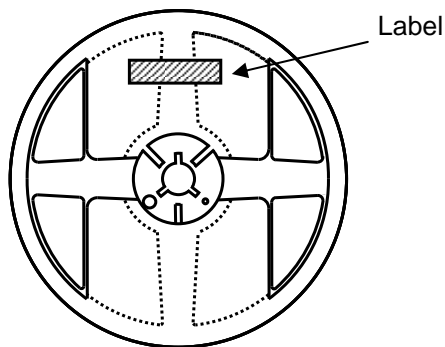
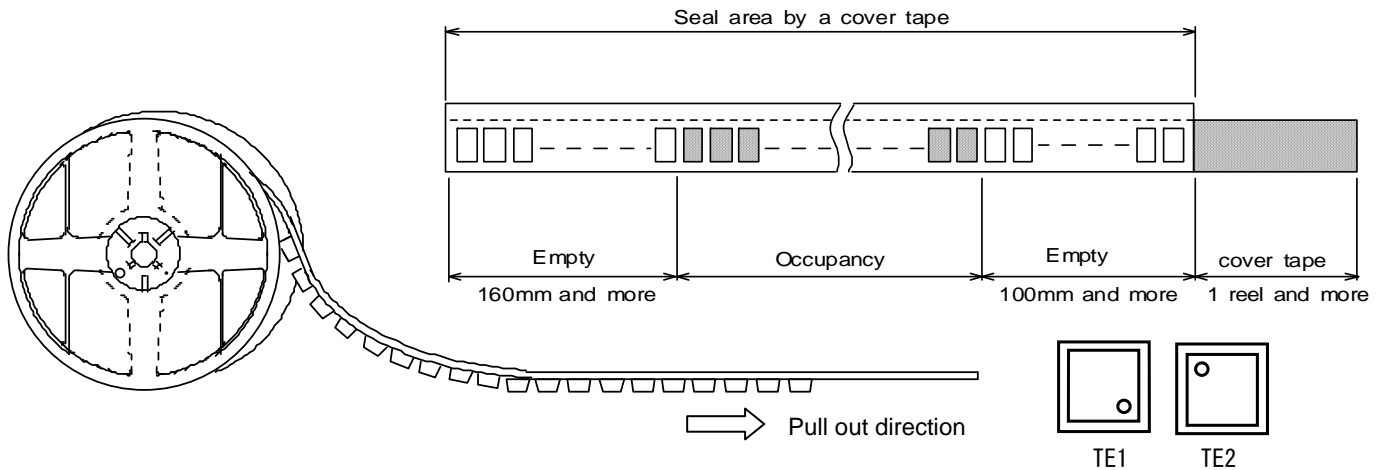
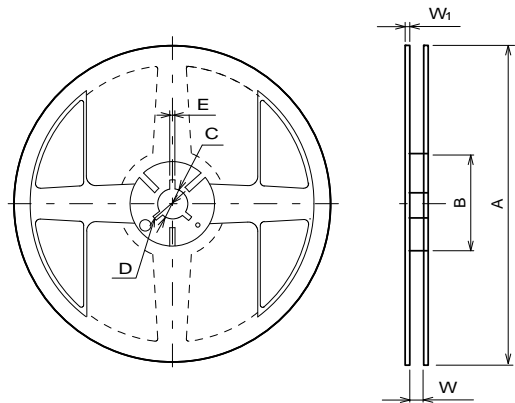
Symbol	EQFN26-HH	Remark
A	2.80±0.05	Bottom size
B	3.60±0.05	Bottom size
D ₀	1.50 +0.1/-0	
D ₁	1.00 +0.1/-0	
E	1.75±0.1	
F	5.50±0.05	
P ₀	4.0±0.1	
P ₁	8.0±0.1	
P ₂	2.0±0.05	
T	0.25±0.05	
T ₂	1.20±0.07	
K ₀	0.85±0.05	
W	12.0 +0.3/-0.1	
W ₁	9.5	Thickness 0.1MAX

Unit : mm



Symbol	EQFN26-HH
A	∅180 +0/-3.0
B	∅60 +1/-0
C	∅13±0.2
D	∅21±0.8
E	2±0.5
W	13 +1.0/-0
W ₁	1.2
Contents	1,500pcs

Unit : mm



Put in the outer box

