

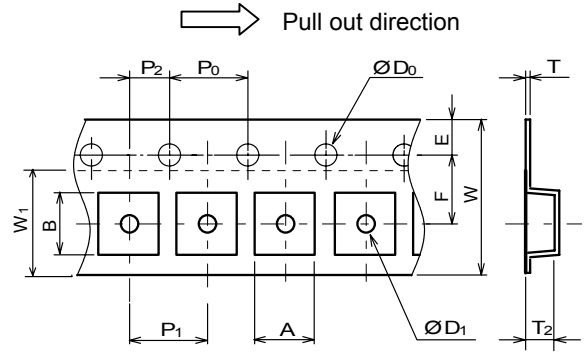
## General Description

NJRC delivers ICs in 4 methods, plastic tube container, two kinds of Taping, tray and vinyl bag packing. Except adhesive tape treated anti electrostatic and contain carbon are using as the ESD ( Electrostatic Discharge Damage ) protection.

### EPFFP Emboss Taping (TE1/TE2)

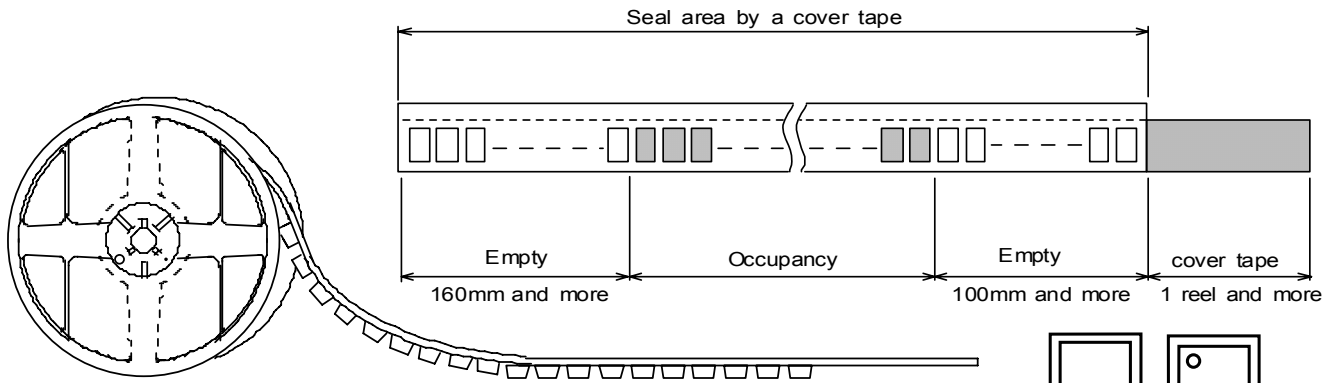
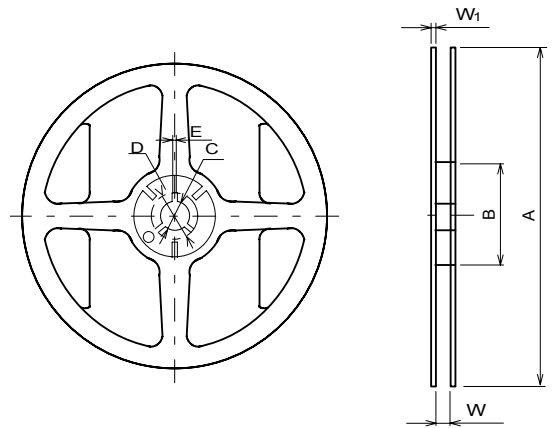
Symbol	EPFFP4-X2	EPFFP6-X2	EPFFP6-A2	Remark
A	0.75±0.03	0.85±0.03	1.17±0.05	Bottom size
B	0.75±0.03	1.25±0.03	1.17±0.05	Bottom size
D <sub>0</sub>	1.5 +0.1/-0	1.5 +0.1/-0	1.5 +0.1/-0	
D <sub>1</sub>	0.2±0.05	0.35±0.05	0.5+0.1/-0	
E	1.75±0.1	1.75±0.1	1.75±0.1	
F	3.5 ±0.05	3.5 ±0.05	3.5 ±0.05	
P <sub>0</sub>	4.0 ±0.1	4.0 ±0.1	4.0 ±0.1	
P <sub>1</sub>	4.0 ±0.1	4.0 ±0.1	4.0 ±0.1	
P <sub>2</sub>	2.0 ±0.05	2.0 ±0.05	2.0 ±0.05	
T	0.2±0.05	0.2±0.05	0.25±0.05	
T <sub>2</sub>	0.55	0.55	0.6	
W	8.0 +0.3/-0.1	8.0 +0.3/-0.1	8.0 ±0.2	
W <sub>1</sub>	5.5	5.5	5.5	Thickness 0.1MAX

Unit : mm

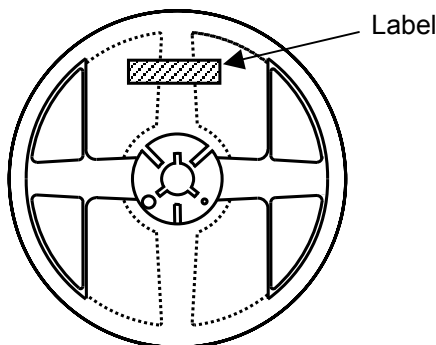
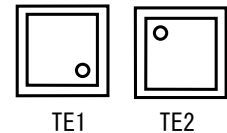


Symbol	EPFFP4-X2	EPFFP6-X2	EPFFP6-A2
A		φ180 +0/-1.5	
B		φ60 +1.0/-0	
C		φ 13±0.2	
D		φ 21±0.8	
E		2±0.5	
W		9 +0.3/-0	
W <sub>1</sub>		1.2	
Contents		5,000pcs	

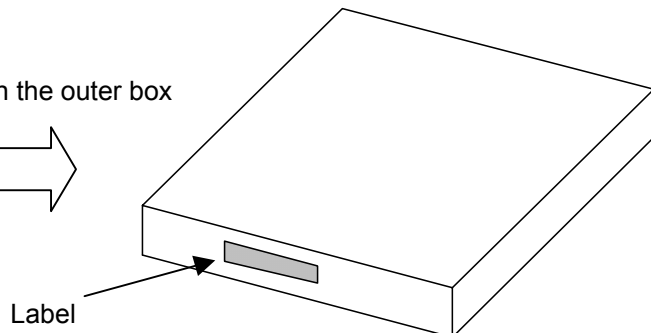
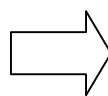
Unit : mm



⇒ Pull out direction



Put in the outer box

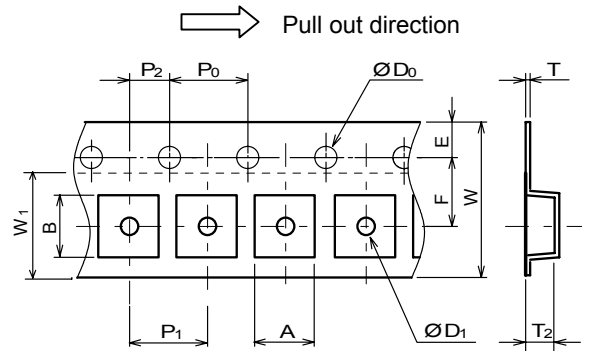


# PACKING SPECIFICATION

## EPFFP Emboss Taping (TE1/TE2)

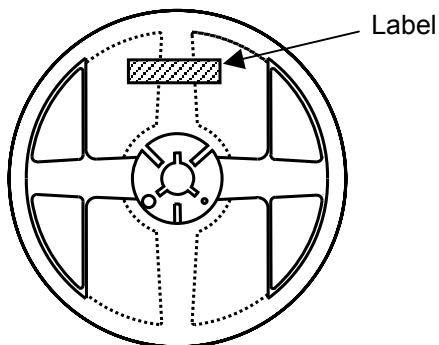
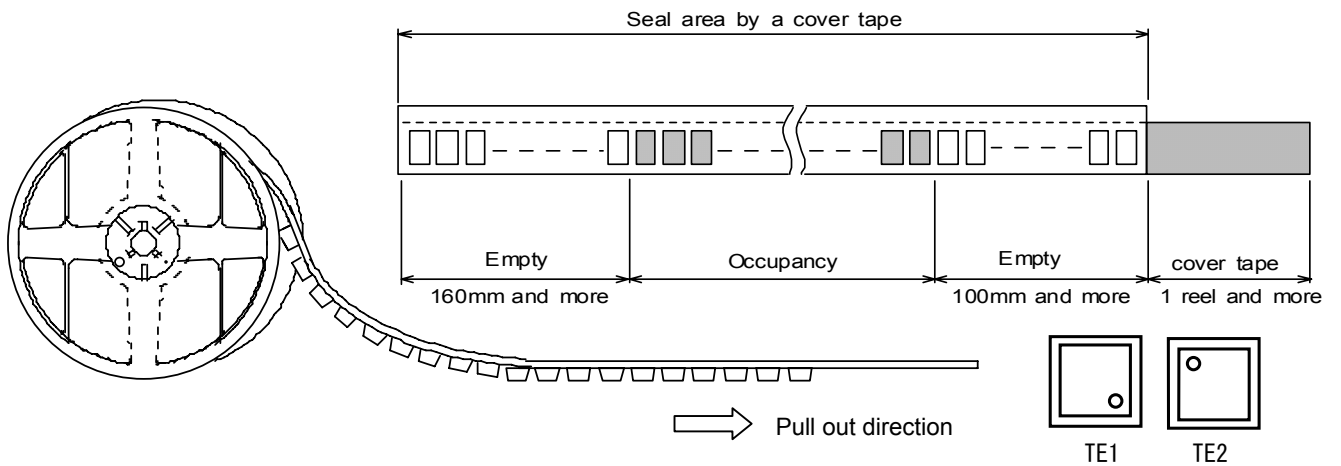
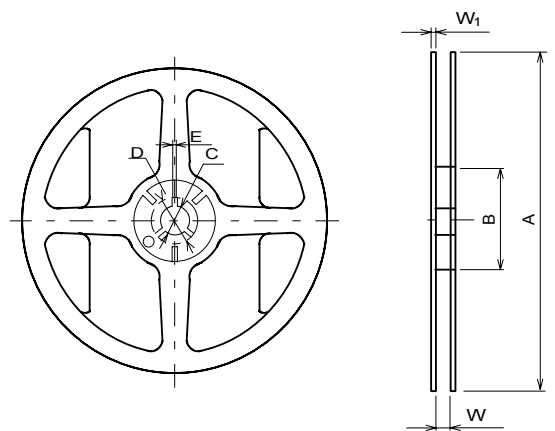
Symbol	EPFFP10-C4	Remark
A	1.70±0.05	Bottom size
B	1.70±0.05	Bottom size
D <sub>0</sub>	1.5 +0.1/-0	
D <sub>1</sub>	0.5 +0.1/-0	
E	1.75±0.1	
F	3.5 ±0.05	
P <sub>0</sub>	4.0 ±0.1	
P <sub>1</sub>	4.0 ±0.1	
P <sub>2</sub>	2.0 ±0.05	
T	0.25±0.05	
T <sub>2</sub>	0.6	
W	8.0 +0.3/-0.1	
W <sub>1</sub>	5.5	Thickness 0.1MAX

Unit : mm



Symbol	EPFFP10-C4
A	φ180 +0/-1.5
B	φ60 +1.0/-0
C	φ 13±0.2
D	φ 21±0.8
E	2±0.5
W	9 +0.3/-0
W <sub>1</sub>	1.2
Contents	5,000pcs

Unit : mm



Put in the outer box

