

## General Description

NJRC delivers ICs in 4 methods, plastic tube container, two kinds of Taping, tray and vinyl bag packing. Except adhesive tape treated anti electrostatic and contain carbon are using as the ESD ( Electrostatic Discharge Damage ) protection.

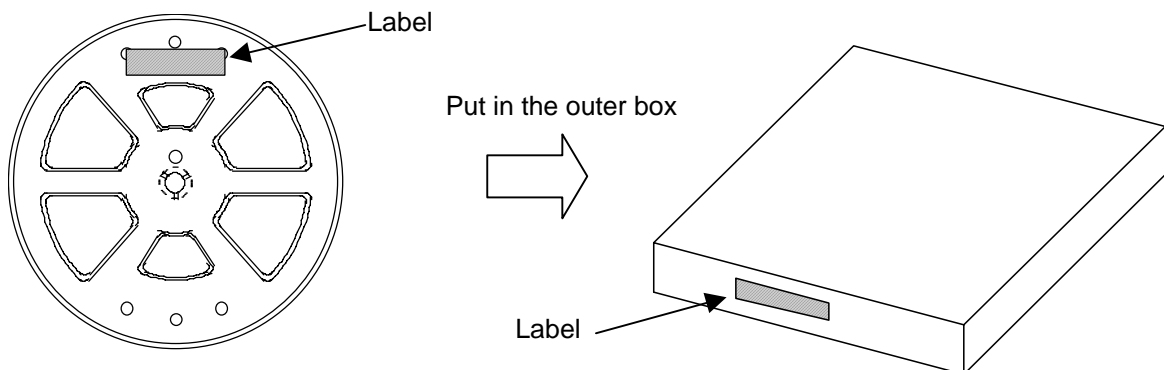
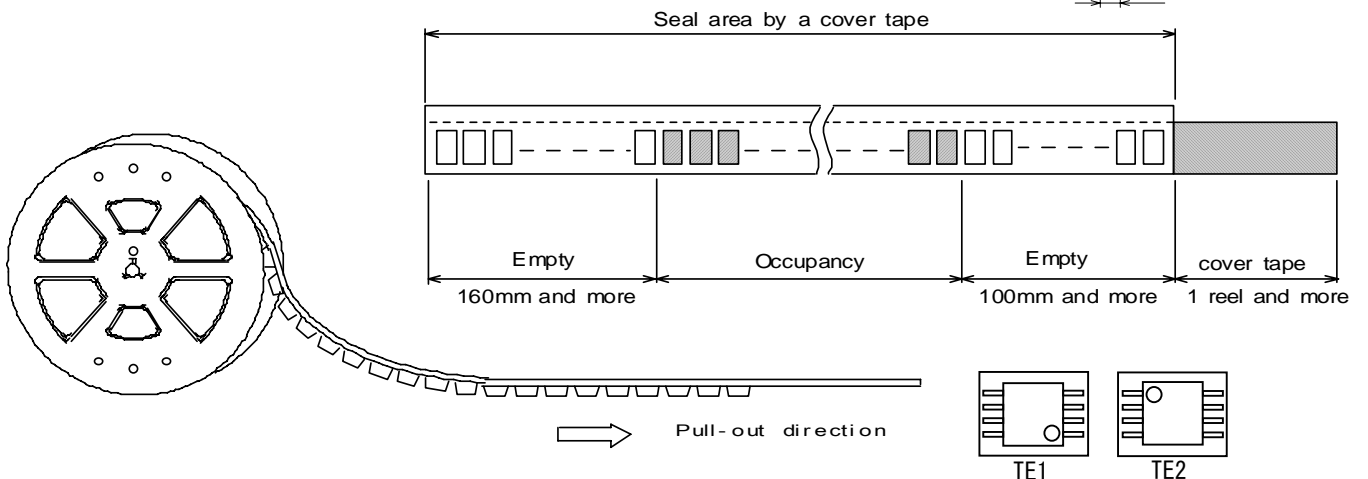
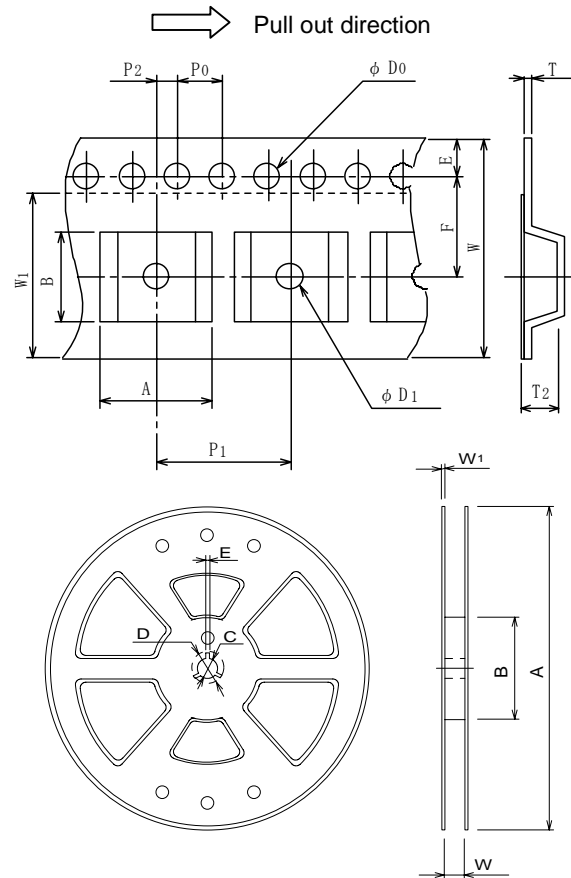
### DMP Emboss Taping (TE1/TE2)

Symbol	DMP8/DMP8-1	DMP14/16/20	Remark
A	7.1	7.4	Bottom size
B	5.4	10.4	Bottom size
D <sub>0</sub>	1.55±0.05	1.5 +0.1/-0	
D <sub>1</sub>	2.05±0.1	1.7±0.1	
E	1.75±0.1	1.75±0.1	
F	7.5±0.1	7.5±0.1	
P <sub>0</sub>	4.0±0.1	4.0±0.1	
P <sub>1</sub>	12.0±0.1	12.0±0.1	
P <sub>2</sub>	2.0±0.1	2.0±0.1	
T	0.3±0.05	0.3±0.05	
T <sub>2</sub>	2.0	2.0	
W	16.0±0.3	16.0±0.3	
W <sub>1</sub>	13.5	13.5	Thickness 0.1MAX

Unit : mm

Symbol	DMP8/DMP8-1	DMP14/16/20
A	Ø330±2	
B	Ø80±1	
C	Ø13±0.2	
D	Ø21±0.8	
E	2±0.5	
W	17.5±0.5	
W <sub>1</sub>	2±0.2	
Contents	2,000 pcs	

Unit : mm



# PACKING SPECIFICATION

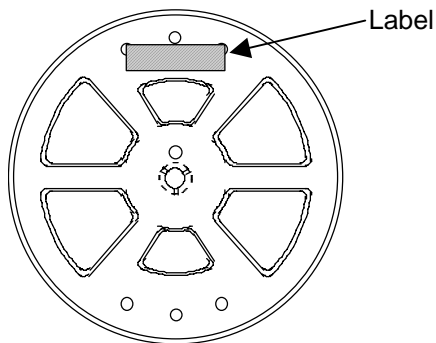
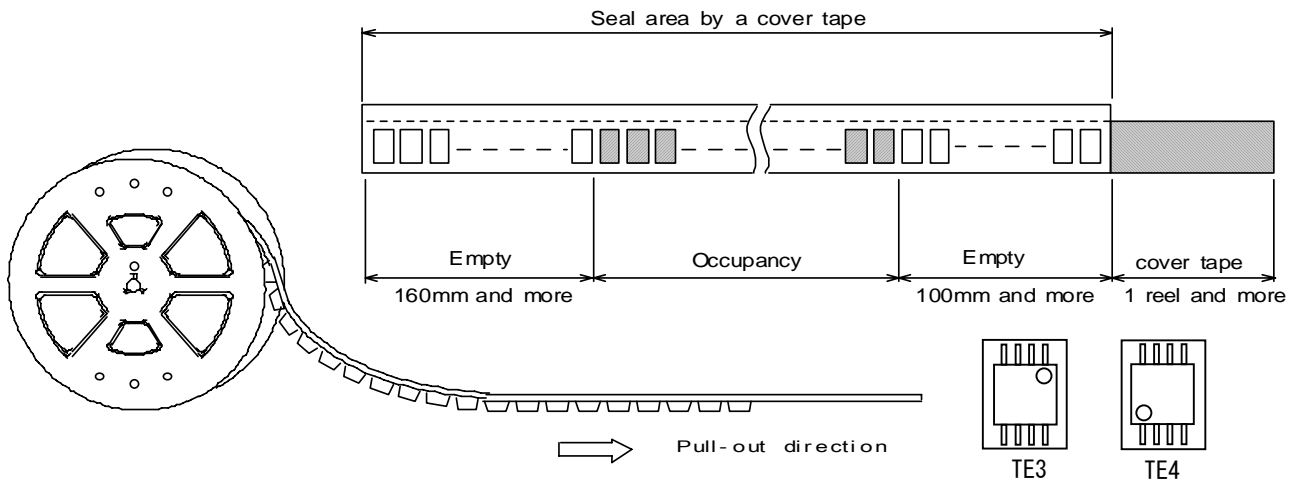
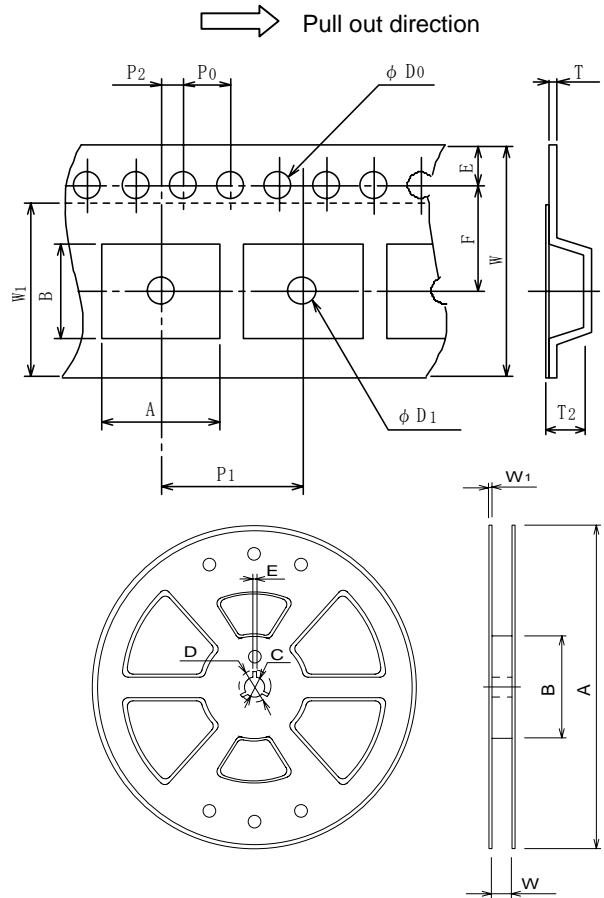
## DMP Emboss Taping (TE3/TE4)

Symbol	DMP8	Remark
A	5.4	Bottom size
B	7.3	Bottom size
D <sub>0</sub>	1.5	
D <sub>1</sub>	1.7±0.1	
E	1.75±0.1	
F	5.5±0.05	
P <sub>0</sub>	4.0±0.1	
P <sub>1</sub>	8.0±0.1	
P <sub>2</sub>	2.0±0.05	
T	0.3±0.05	
T <sub>2</sub>	2.0	
W	12.0±0.3	
W <sub>1</sub>	9.5	Thickness 0.1MAX

Unit : mm

Symbol	DMP8
A	∅330±2
B	∅80±1
C	∅13±0.2
D	∅21±0.8
E	2±0.5
W	13.5±0.5
W <sub>1</sub>	2±0.2
Contents	2,000 pcs

Unit : mm



Put in the outer box

