

## General Description

NJRC delivers ICs in 4 methods, plastic tube container, two kinds of Taping, tray and vinyl bag packing. Except adhesive tape treated anti electrostatic and contain carbon are using as the ESD ( Electrostatic Discharge Damage ) protection.

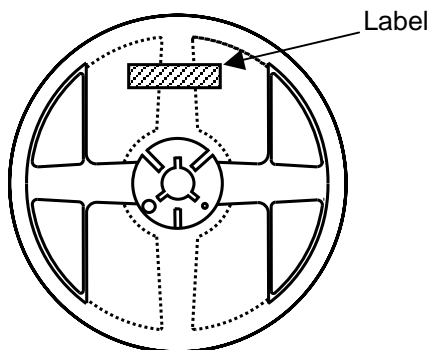
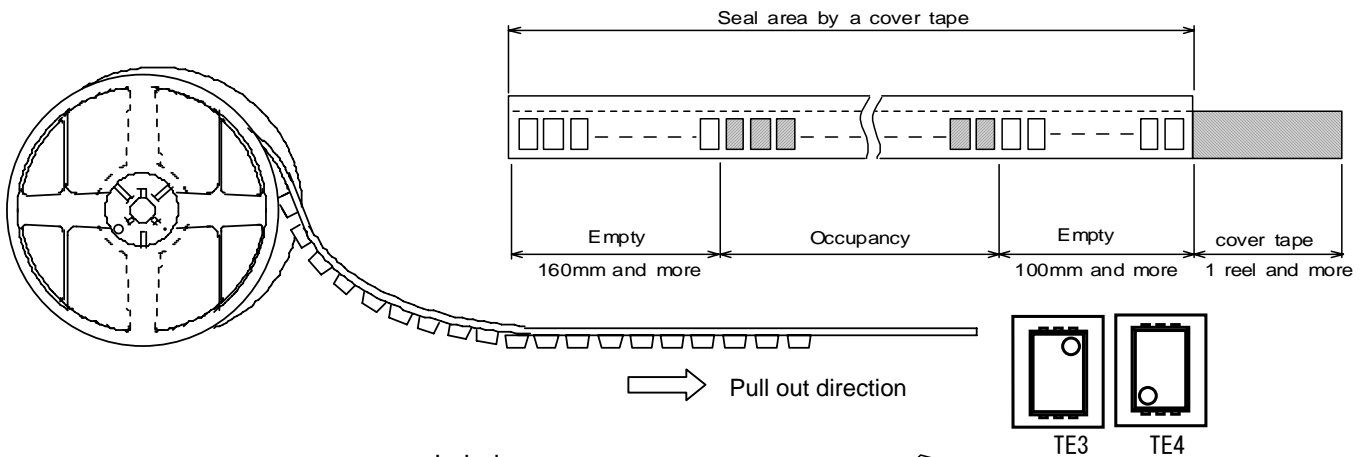
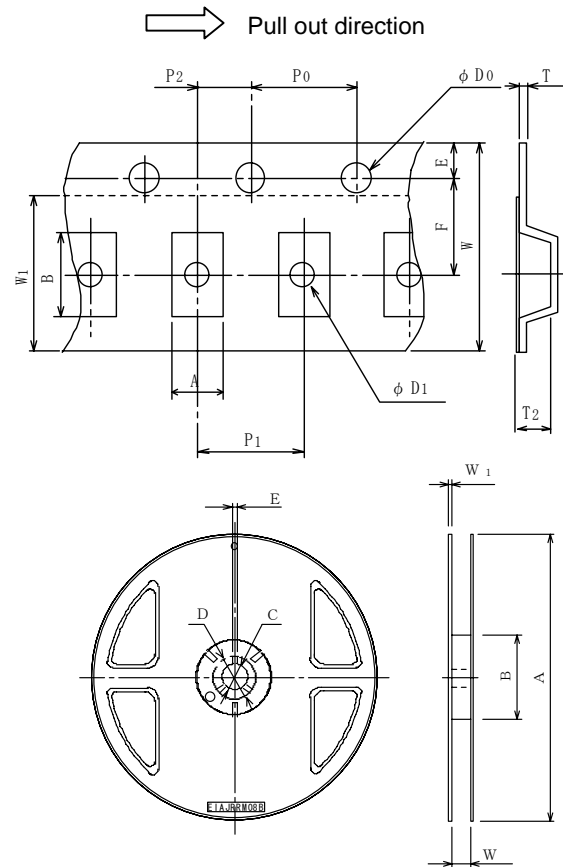
### SON Emboss Taping (TE3/TE4)

Symbol	SON6-J1	SON10-K1	Remark
A	1.9±0.1	3.3±0.1	Bottom size
B	3.15±0.1	3.25±0.1	Bottom size
D <sub>0</sub>	1.55±0.05	1.55±0.05	
D <sub>1</sub>	1.05±0.05	1.05±0.05	
E	1.75±0.1	1.75±0.1	
F	3.5±0.05	3.5±0.05	
P <sub>0</sub>	4.0±0.1	4.0±0.1	
P <sub>1</sub>	4.0±0.1	4.0±0.1	
P <sub>2</sub>	2.0±0.06	2.0±0.05	
T	0.2±0.05	0.2±0.05	
T <sub>2</sub>	1.17	1.57	
W	8.0±0.1	8.0±0.2	
W <sub>1</sub>	5.5	5.5	Thickness 0.1MAX

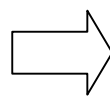
Unit : mm

Symbol	SON6-J1	SON10-K1
A	Ø180 +0/-3	
B	Ø 60 +1/-0	
C	Ø 13±0.2	
D	Ø 21±0.5	
E	2±0.5	
W	9±0.3	
W <sub>1</sub>	1.2	
Contents	3,000pcs	

Unit : mm



Put in the outer box



Label

