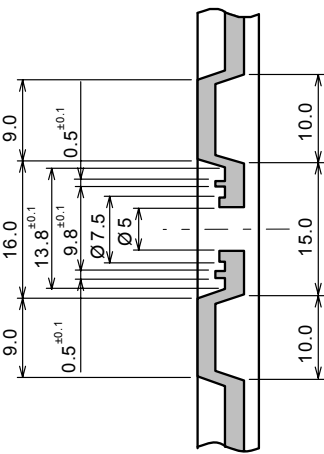
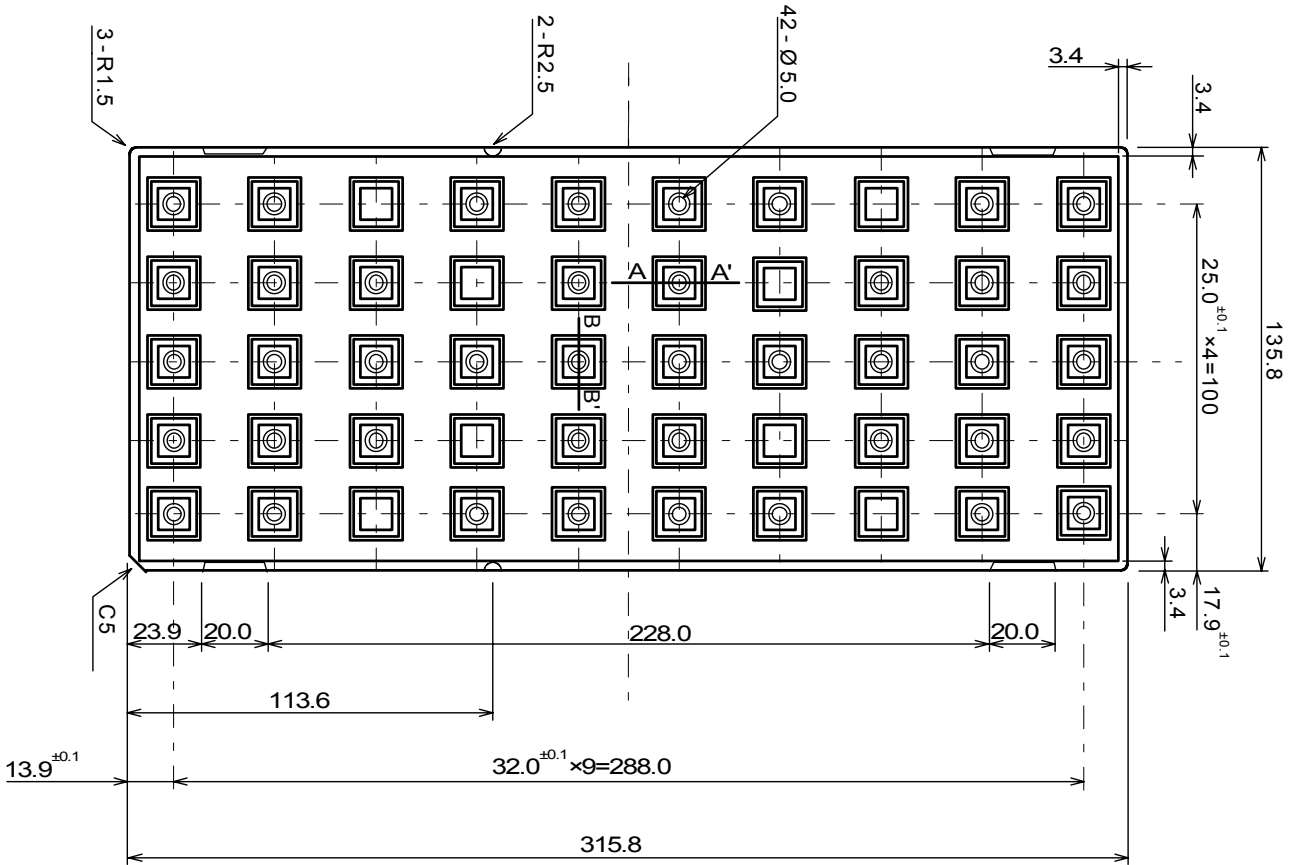
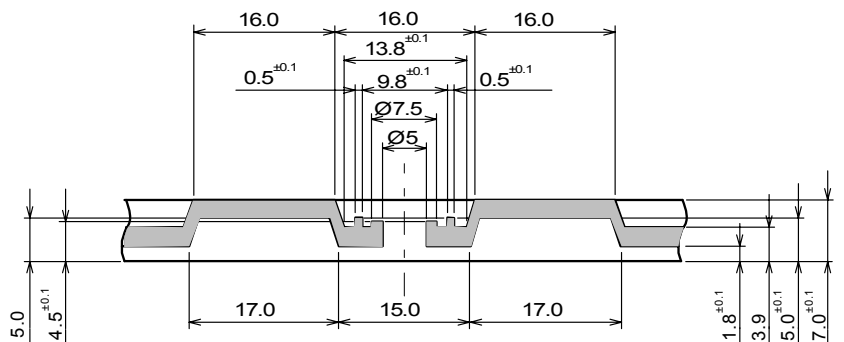


## TRAY DIMENSIONS

Hard Tray Dimensions for QFP44-A1, QFP56-A1



BB Cross Section



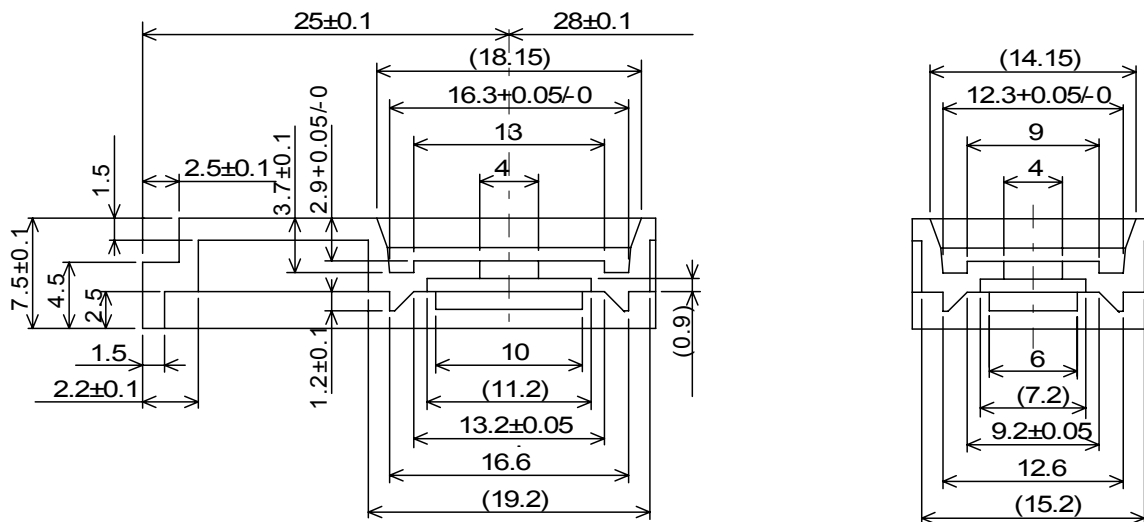
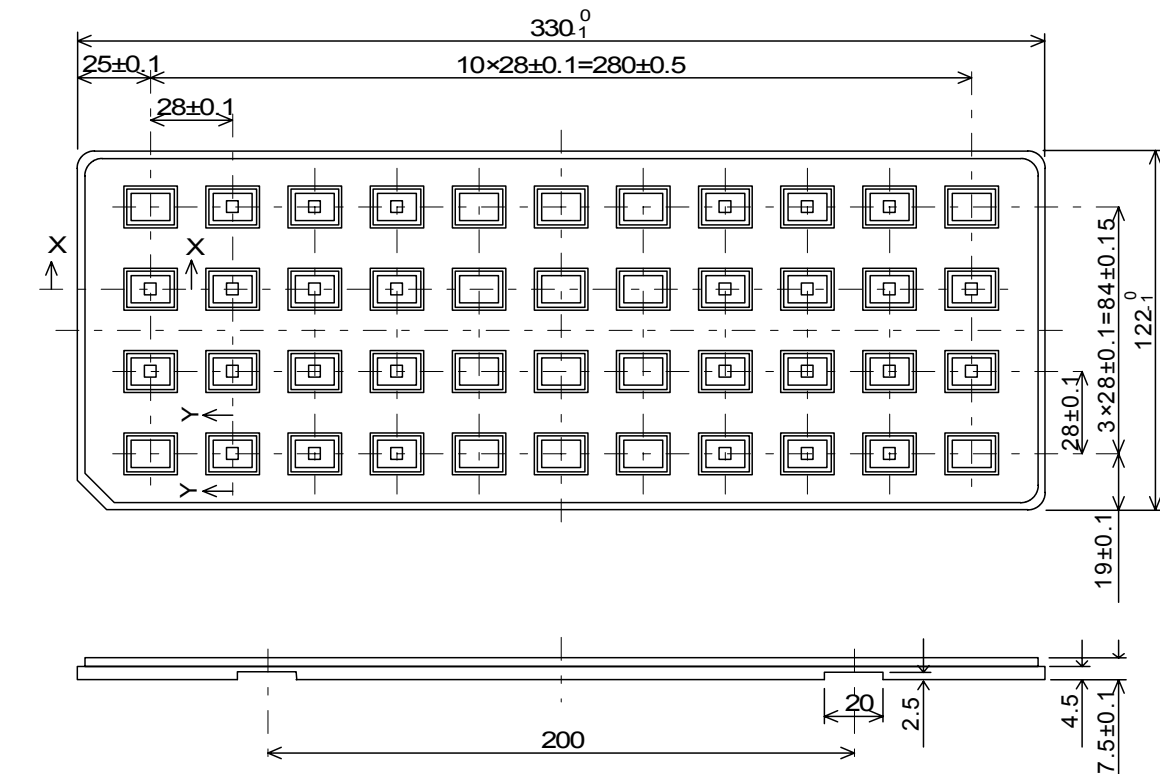
AA Cross Section

Unit : mm

Material	Polypropylene (Anti Electrostatic treatment)
Maximum Contents	50pcs

# TRAY DIMENSIONS

Hard Tray Dimensions for QFP48-P1



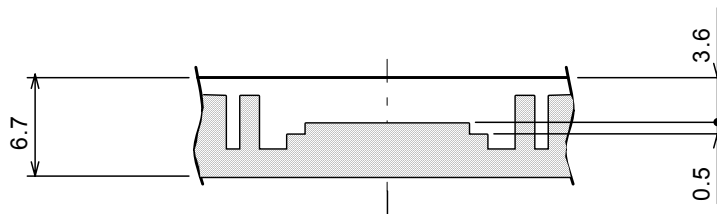
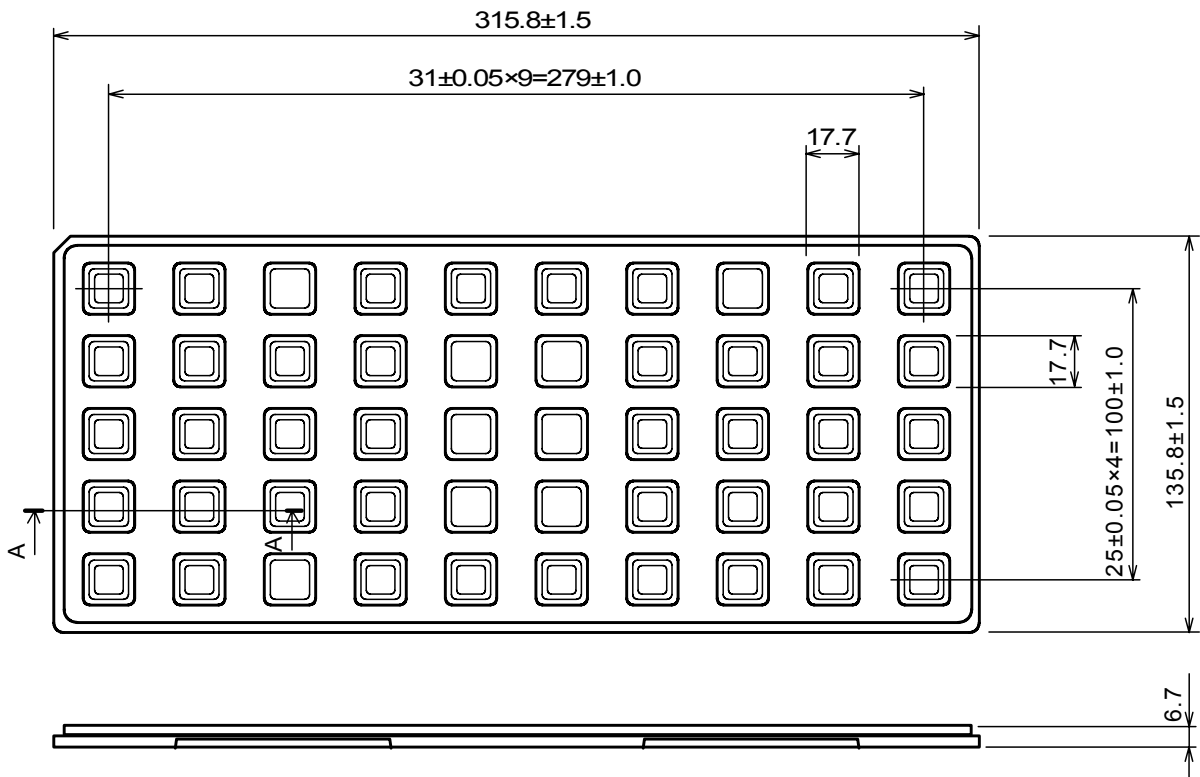
Y-Y Cross Section

Unit : mm

Material	Polyphenylene ether
Maximum Contents	44pcs

# TRAY DIMENSIONS

Hard Tray Dimensions for QFP64-B2



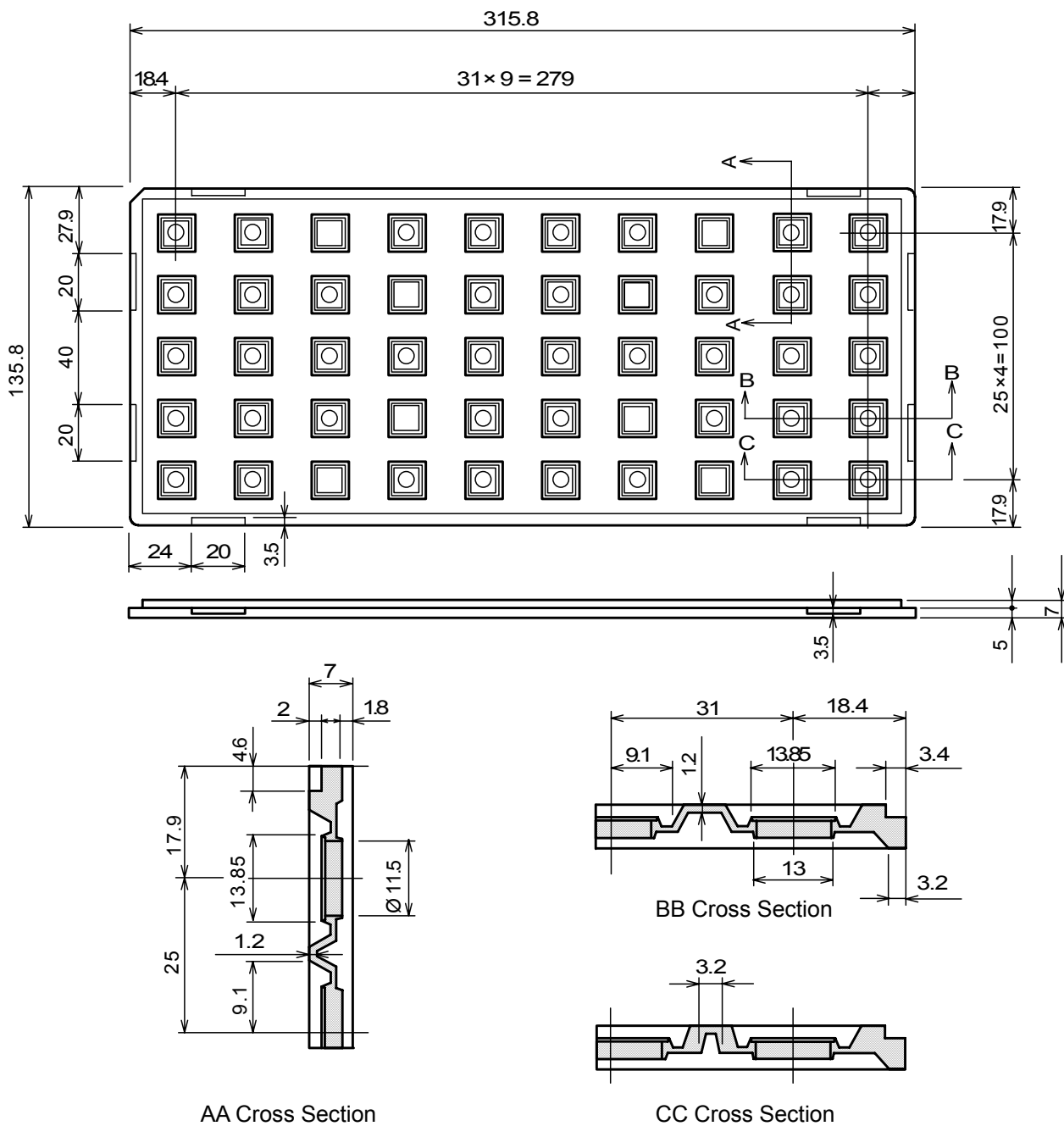
AA Cross Section

Unit : mm

Maximum Contents	50pcs
------------------	-------

# TRAY DIMENSIONS

Hard Tray Dimensions for QFP64-B3

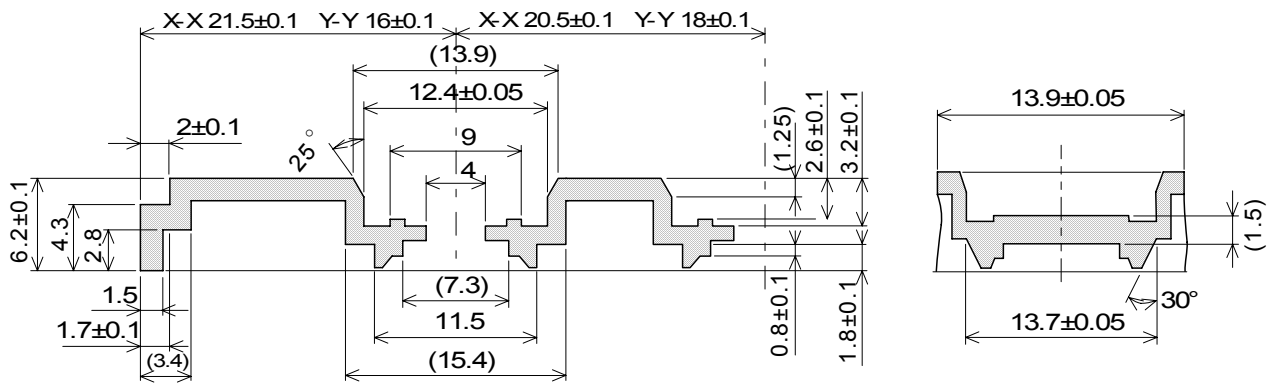
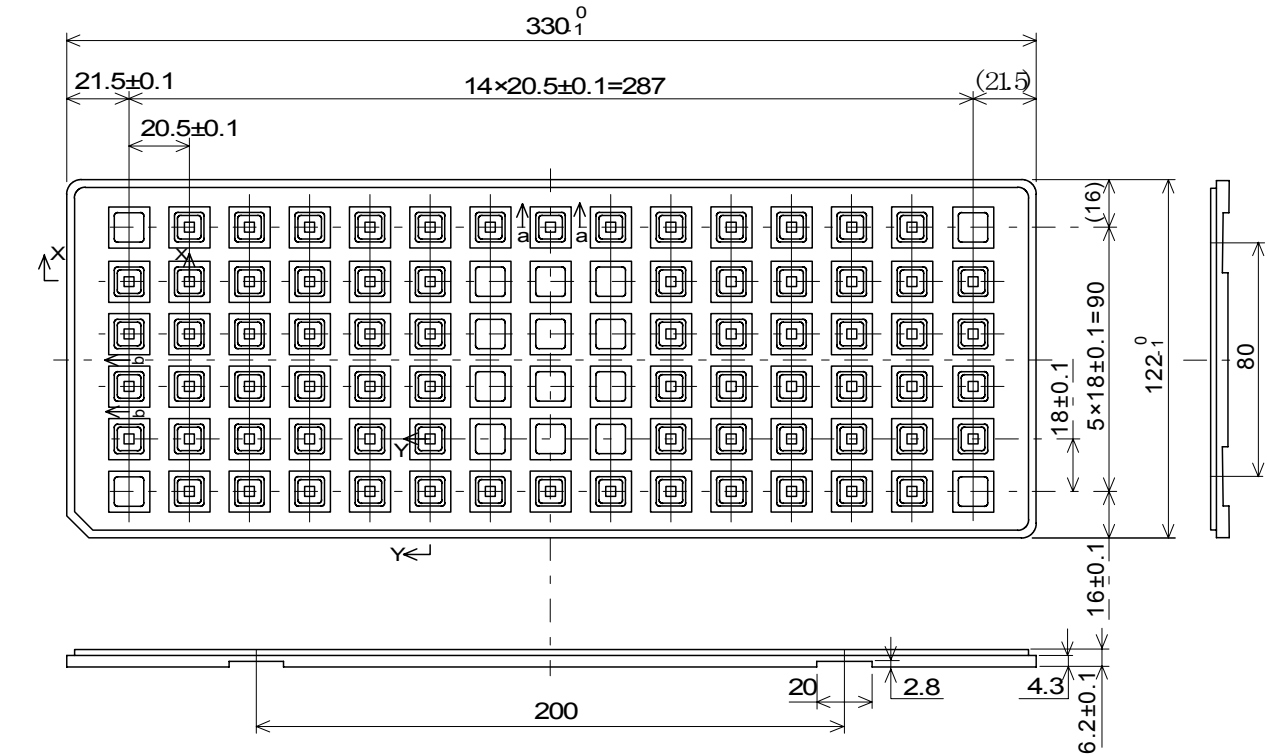


Unit : mm

Material	Conductive Resin
Maximum Contents	50pcs

# TRAY DIMENSIONS

## Hard Tray Dimensions for QFP64-H1



X-X, Y-Y Cross Section

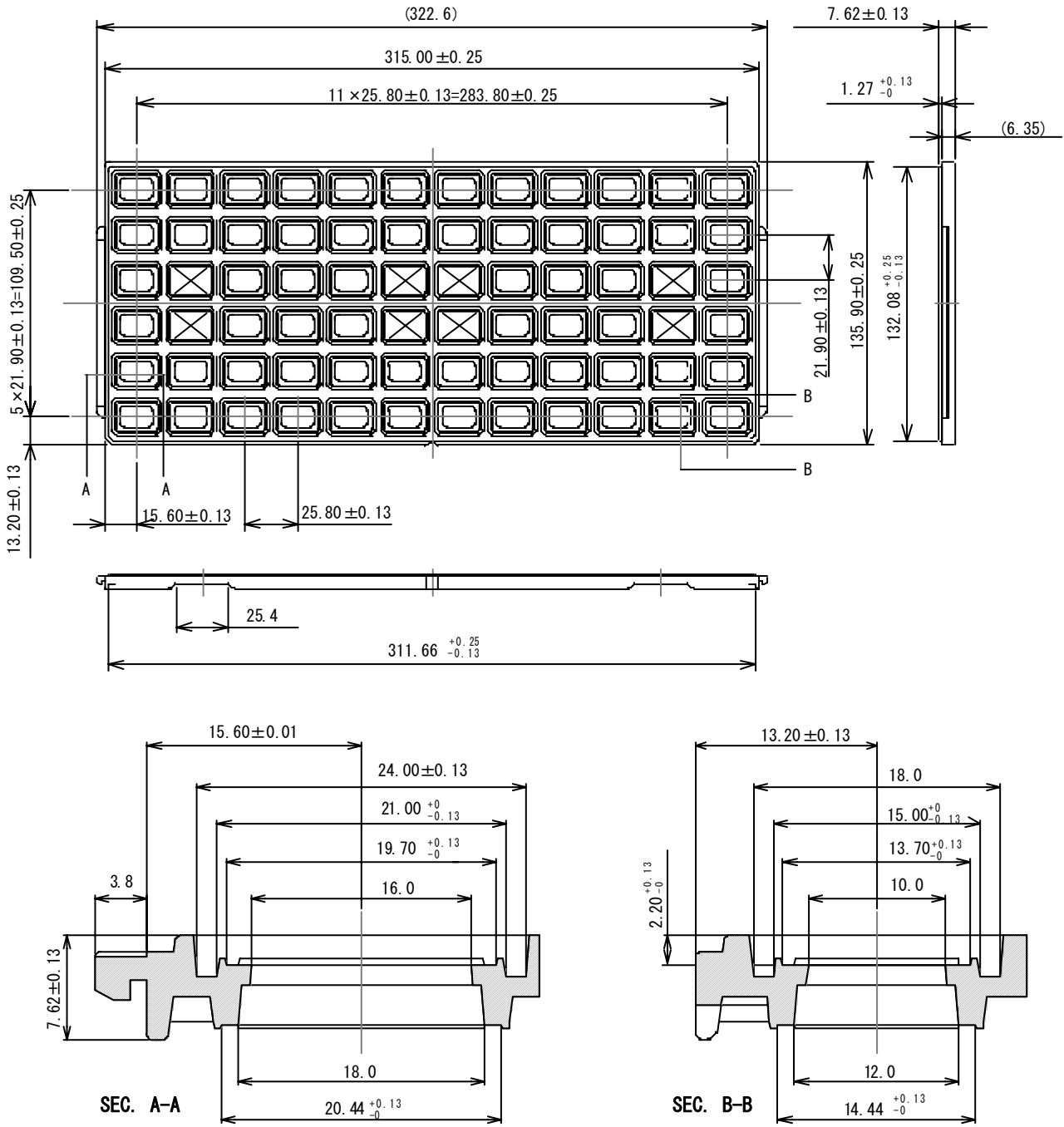
a-a, b-b Cross Section

Unit : mm

Material	Polyphenylene ether
Maximum Contents	90pcs

# TRAY DIMENSIONS

Hard Tray Dimensions for QFP100-U1

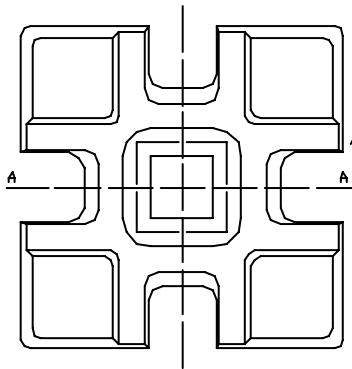
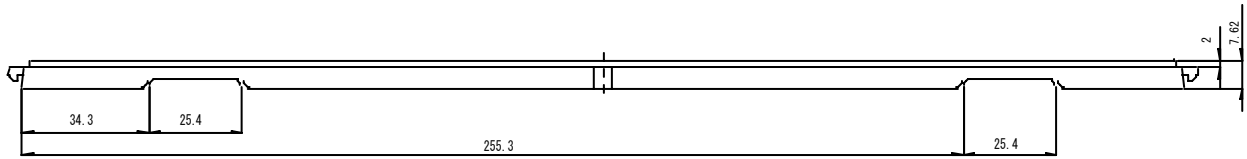
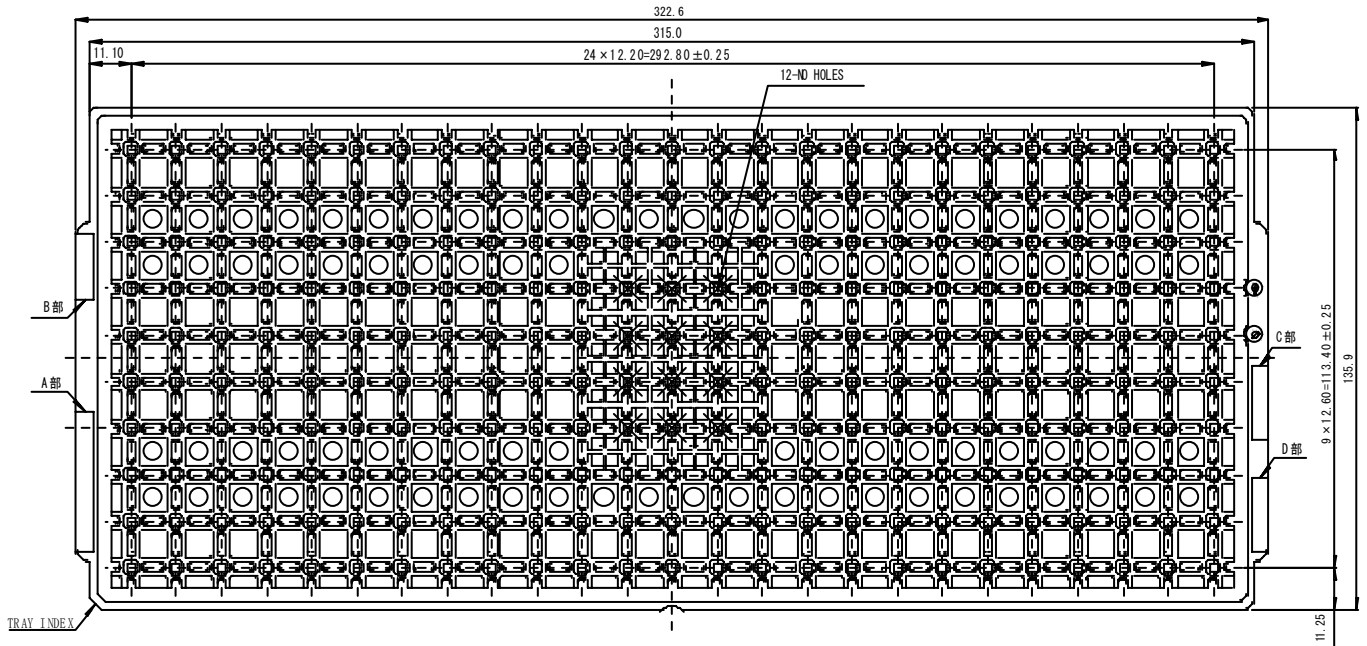


Unit : mm

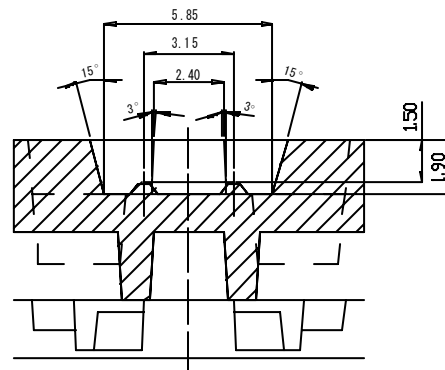
Material	Polyphenylene ether
Maximum Contents	72pcs

# TRAY DIMENSIONS

## Hard Tray Dimensions for QFL36-B2



Detail : Ricket



Section A-A'

Unit : mm

Material	Polyphenylene ether
Maximum Contents	250pcs