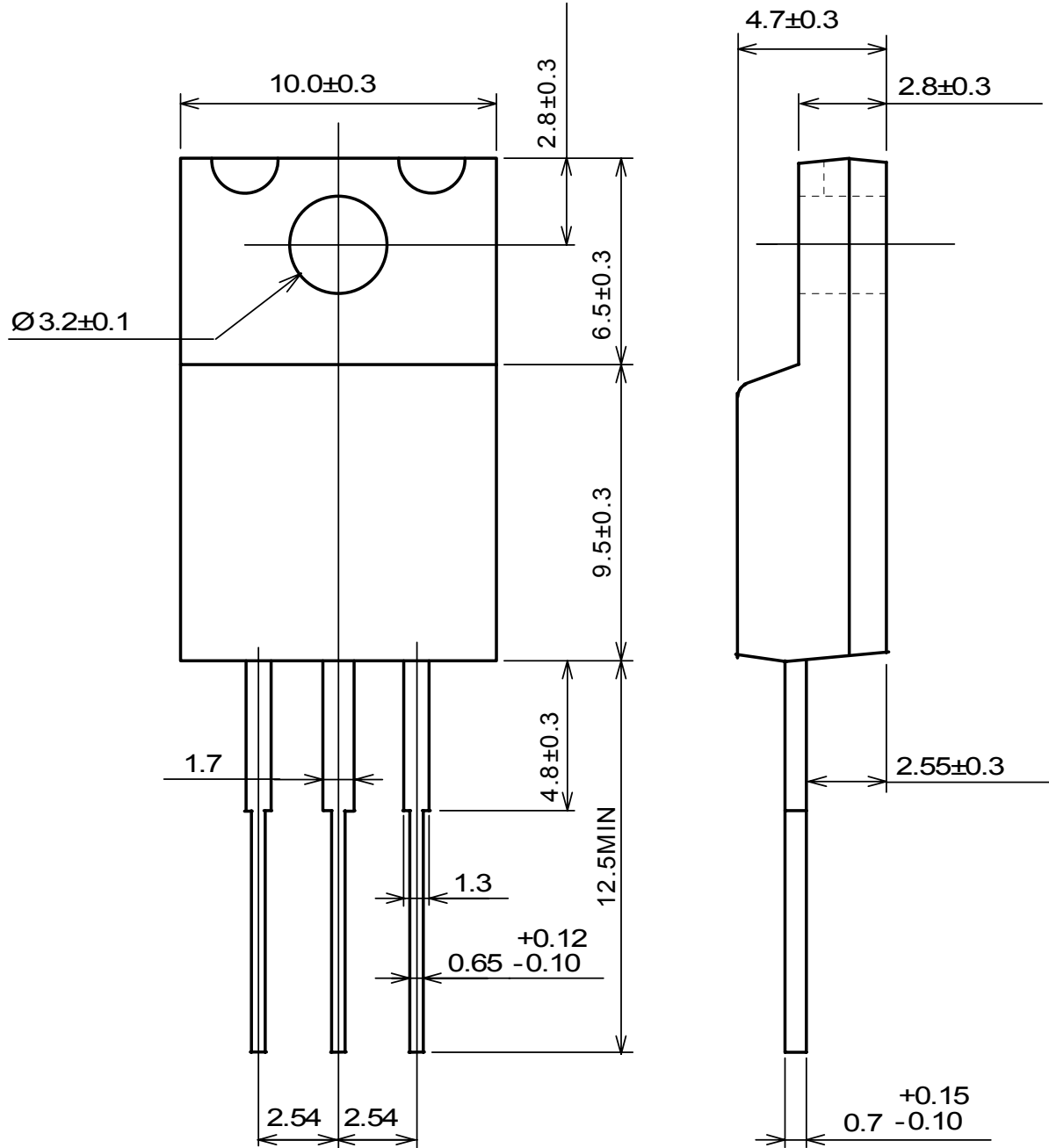


TO-220F-3



UNIT : mm