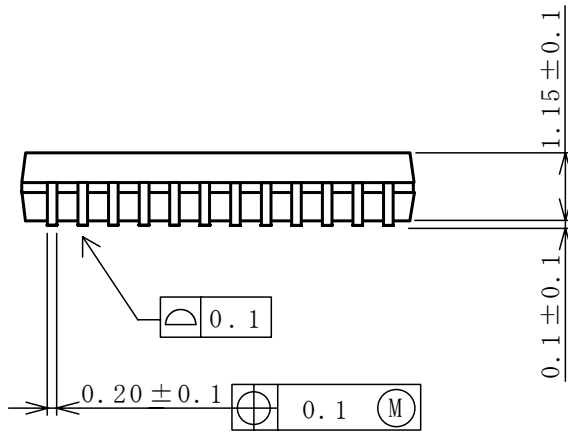
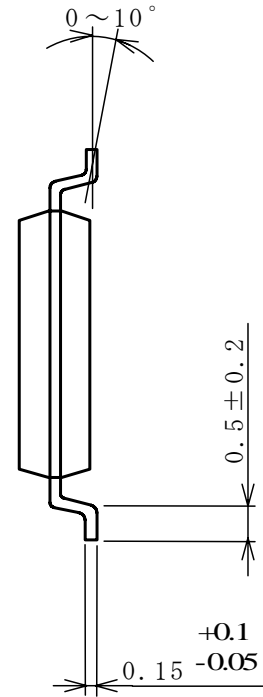
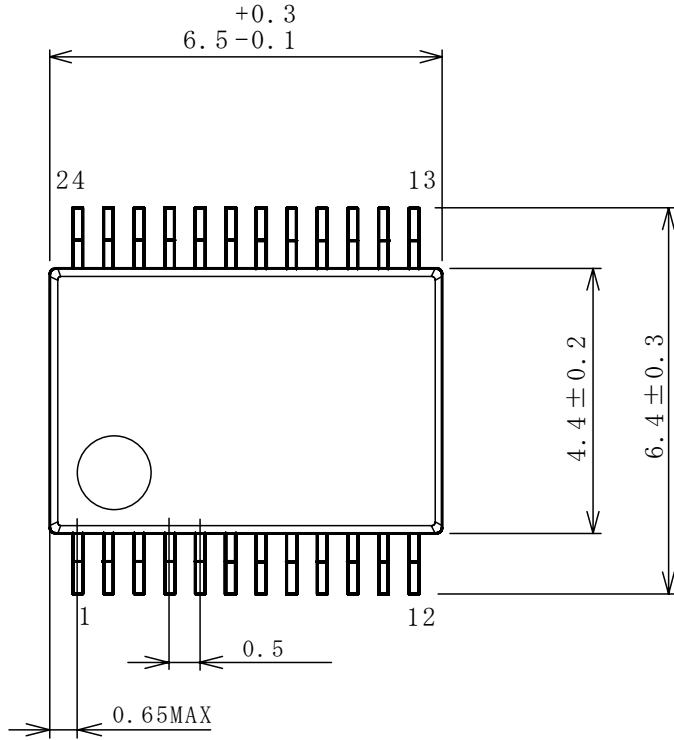


SSOP24-C2



GD-V02400A-1

UNIT : mm