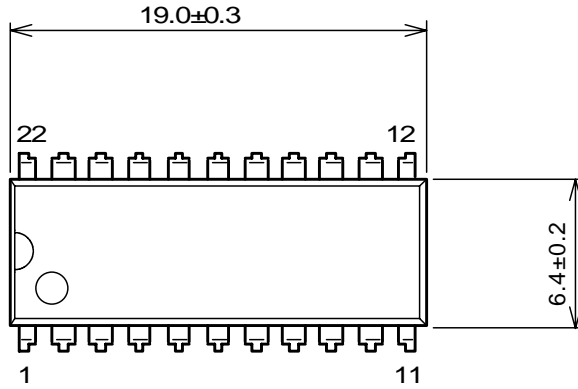
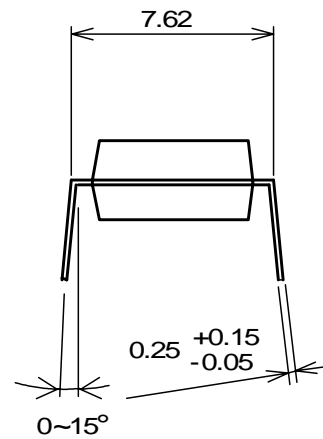
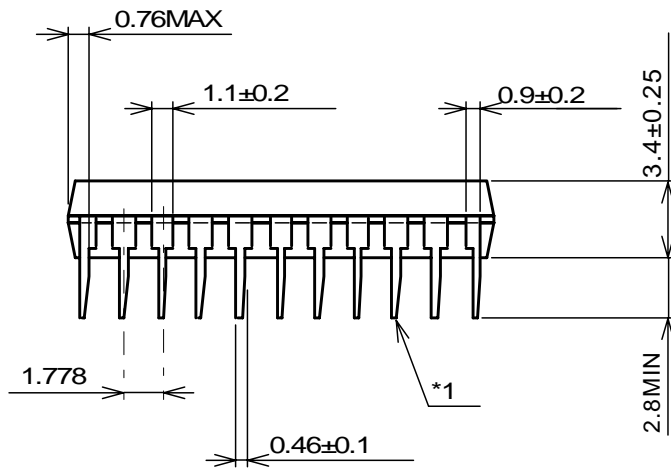


SDIP22



*1: Slope direction on the right or left side products are mingled.



UNIT : mm