
Designated client product

This product will be discontinued its production in the near term.
And it is provided for customers currently in use only, with a time limit.
It can not be available for your new project. Please select other new or existing products.

For more information, please contact our sales office in your region.

New Japan Radio Co.,Ltd.

<http://www.njr.com/>

High Drive 3rd. Over Tone Quartz Crystal Oscillator

■GENERAL DESCRIPTION

The NJU6370 series is a C-MOS 3rd. over tone quartz crystal oscillator that consists of an oscillation amplifier and 3-state output buffer.

The NJU6378 series has 4-types according to their frequency ranges as shown in the line-up table.

The oscillation amplifier is realized very low stand-by current using NAND circuit.

The 3-state output buffer is C-MOS compatible and can drive 50pF(@5V) C-MOS load.

■PACKAGE OUTLINE

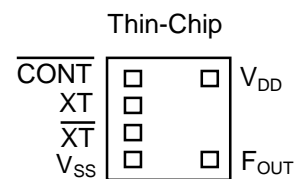


NJU6370XC-D

■FEATURES

- Operating Voltage 2.7 to 5.5V
- Oscillation Frequency Range (See Line-up Table)
- Low Operating Current
- High Fan-out $I_{OH}/I_{OL}=8mA@3.3V$
 $I_{OH}/I_{OL}=16mA@5.0V$
- Oscillation Stop and Output Stand-by Function
- 3-State Output Buffer
- Oscillation Capacitors Cg and Cd on-chip
- Package Outline Thin-Chip
- C-MOS Technology

■PAD LOCATION



■LINE-UP TABLE

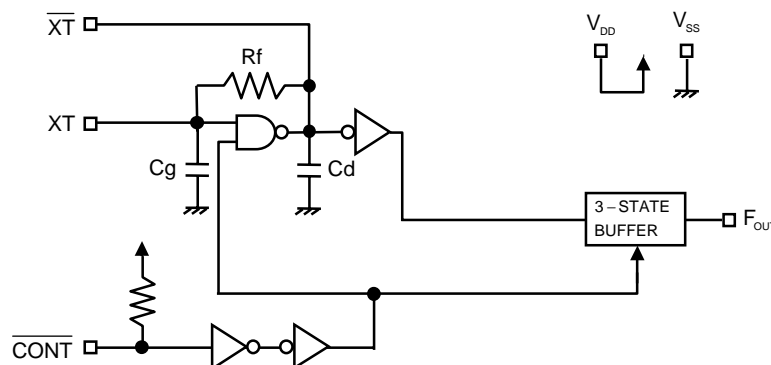
Type No.	Recommended Oscillation Frequency Range	Output Frequency	Cg/Cd
NJU6370	A 30 to 40 MHz	f_0	18/18pF
	B 40 to 50 MHz		16/16pF
	C 50 to 60 MHz		11/11pF
	D 60 to 75 MHz		10/10pF

■COORDINATES

No	Pad Name	X	Y
1	\overline{CONT}	-178	231
2	XT	-178	77
3	\overline{XT}	-178	-77
4	V _{SS}	-178	-231
5	F _{OUT}	206	-231
8	V _{DD}	206	231

Starting Point: Chip Center Unit[um]
 Chip Size: 0.7x0.75mm
 Thin-Chip Thickness(-D): 200±20um
 Pad Size: 90x90um

■BLOCK DIAGRAM



■TERMINAL DESCRIPTION

SYMBOL	FUNCTION	
$\overline{\text{CONT}}$	Oscillation and 3-state Output Buffer Control	
	$\overline{\text{CONT}}$	F_{OUT}
	H or OPEN	Output frequency f_0 Note1)
	L	Oscillation Stop and High impedance Output
$\overline{\text{XT}}$	Quartz Crystal Connecting Terminals	
$\overline{\text{XT}}$		
V_{SS}	$V_{\text{SS}}=0\text{V}$	
F_{OUT}	Frequency Output	
V_{DD}	$V_{\text{DD}}=2.5\text{V}/3.0\text{V}/5.0\text{V}$	

Note1) Refer to the line-up table.

■ABSOLUTE MAXIMUM RATINGS

($T_a=25^\circ\text{C}$)

PARAMETER	SYMBOL	RATING	UNIT
Supply Voltage	V_{DD}	-0.5 to +7.0	V
Input Voltage	V_{IN}	$V_{\text{SS}}-0.5$ to $V_{\text{DD}}+0.5$	V
Output Voltage	V_{O}	-0.5 to $V_{\text{DD}}+0.5$	V
Input Current	I_{IN}	± 10	MA
Output Current	I_{O}	± 25	MA
Operating Temperature Range	T_{opr}	-40 to +85	$^\circ\text{C}$
Storage Temperature Range	T_{stg}	-55 to +125	$^\circ\text{C}$

Note2) If the supply voltage(V_{DD}) is less than 7.0V, the input voltage must not over the V_{DD} level though 7.0V is limit specified.

Note3) Decoupling capacitor should be connected between V_{DD} and V_{SS} due to the stabilized operation for the circuit.

■ ELECTRICAL CHARACTERISTICS

(Ta=25°C)

PARAMETER	SYMBOL	CONDITIONS	MIN	TYP	MAX	UNIT
Operating Voltage	V _{DD}		2.7		5.5	V

(V_{DD}=3.3V, Ta=25°C)

PARAMETER	SYMBOL	CONDITIONS	MIN	TYP	MAX	UNIT
Operating Current	I _{DD}	A version, fosc=40MHz, C _L =30pF			14	mA
		B version, fosc=50MHz, C _L =30pF			16	
		C version, fosc=60MHz, C _L =30pF			20	
		D version, fosc=75MHz, C _L =30pF			25	
Oscillation Stopping Current	I _{STB}	$\overline{\text{CONT}} = V_{SS}$, No load		2	5	uA
Stand-by Current	I _{st}	$\overline{\text{CONT}} = \text{XT} = V_{SS}$, No load Note4)			1	uA
Input Voltage	V _{IH}		2.31		3.3	V
	V _{IL}		0		0.99	V
Output Current	I _{OH}	V _{OH} =2.97V	8			mA
	I _{OL}	V _{OL} =0.33V	8			mA
Input Current	I _{IN}	$\overline{\text{CONT}} = 0.8V_{DD}$		10.0	15.0	uA
		$\overline{\text{CONT}} = 0.2V_{DD}$		1.8	3.0	uA
3-state Off Leakage Current	I _{oz}	$\overline{\text{CONT}} = V_{SS}$, F _{OUT} = V _{DD} or V _{SS}			±0.1	uA
Feedback Resistance	R _f	A version		4.5		kΩ
		B version		3.1		
		C version		3.9		
		D version		3.1		
Internal Capacitor	C _g /C _d	A version, fosc=40MHz		18/18		pF
		B version, fosc=50MHz		16/16		
		C version, fosc=60MHz		11/11		
		D version, fosc=75MHz		10/10		
Maximum Oscillation Frequency	F _{MAX}	A version	40			MHz
		B version	50			
		C version	60			
		D version	75			
Output Signal Symmetry	SYM	C _L =15pF, @V _{DD} /2	45	50	55	%
		C _L =30pF, @V _{DD} /2	45	50	55	%
Output Signal Rise Time	tr	C _L =15pF, 10% to 90%		2.5	5	ns
		C _L =30pF, 10% to 90%		4	8	
Output Signal Fall Time	tf	C _L =15pF, 90% to 10%		2,5	5	ns
		C _L =30pF, 90% to 10%		4	8	
Output Disable time	T _{PLZ}	C _L =15pF, R _{UP} =10kΩ			150	ns
Output Enable Time	T _{PZL}	C _L =15pF, R _{UP} =10kΩ			150	ns

Note4) Excluding input current on $\overline{\text{CONT}}$ Terminal.

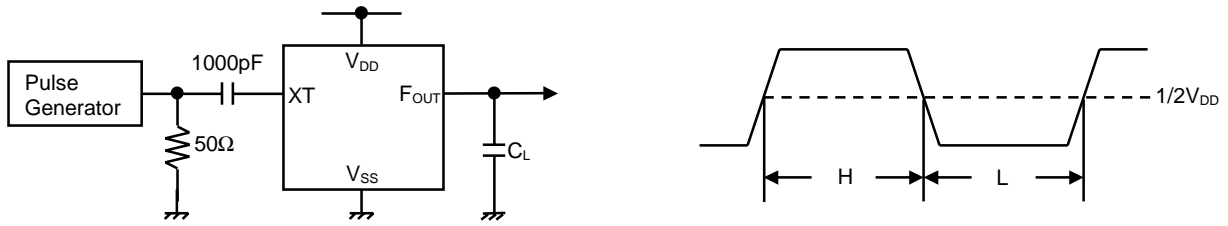
($V_{DD}=5.0V, T_a=25^{\circ}C$)

PARAMETER	SYMBOL	CONDITIONS	MIN	TYP	MAX	UNIT
Operating Current	I_{DD}	A version, $f_{osc}=40MHz, C_L=50pF$			35	mA
		B version, $f_{osc}=50MHz, C_L=50pF$			40	
		C version, $f_{osc}=60MHz, C_L=50pF$			52	
		D version, $f_{osc}=75MHz, C_L=50pF$			60	
Oscillation Stopping Current	I_{STB}	$\overline{CONT} = V_{SS}$, No load		5	10	uA
Stand-by Current	I_{st}	$\overline{CONT} = XT = V_{SS}$, No load Note4)			1	uA
Input Voltage	V_{IH}		3.5		5.0	V
	V_{IL}		0		1.5	V
Output Current	I_{OH}	$V_{OH}=4.5V$	16			mA
	I_{OL}	$V_{OL}=0.5V$	16			mA
Input Current	I_{IN}	$\overline{CONT} = 0.8V_{DD}$		27.0	40.0	uA
		$\overline{CONT} = 0.2V_{DD}$		5.5	8.0	uA
3-state Off Leakage Current	I_{OZ}	$\overline{CONT} = V_{SS}$, $F_{OUT} = V_{DD}$ or V_{SS}			± 0.1	uA
Feedback Resistance	R_f	A version		4.5		k Ω
		B version		3.1		
		C version		3.9		
		D version		3.1		
Internal Capacitor	C_g/C_d	A version, $f_{osc}=40MHz$		18/18		pF
		B version, $f_{osc}=50MHz$		16/16		
		C version, $f_{osc}=60MHz$		11/11		
		D version, $f_{osc}=75MHz$		10/10		
Maximum Oscillation Frequency	F_{MAX}	A version	40			MHz
		B version	50			
		C version	60			
		D version	75			
Output Signal Symmetry	SYM	$C_L=15pF, @V_{DD}/2$	45	50	55	%
		$C_L=50pF, @V_{DD}/2$	45	50	55	
Output Signal Rise Time	T_r	$C_L=15pF, 10\% \sim 90\%$		2	4	ns
		$C_L=50pF, 10\% \sim 90\%$		5	10	
Output Signal Fall Time	t_f	$C_L=15pF, 90\% \sim 10\%$		2	4	ns
		$C_L=50pF, 90\% \sim 10\%$		5	10	
Output Disable time	T_{PLZ}	$C_L=15pF, R_{UP}=10k\Omega$			150	ns
Output Enable Time	T_{PZL}	$C_L=15pF, R_{UP}=10k\Omega$			150	ns

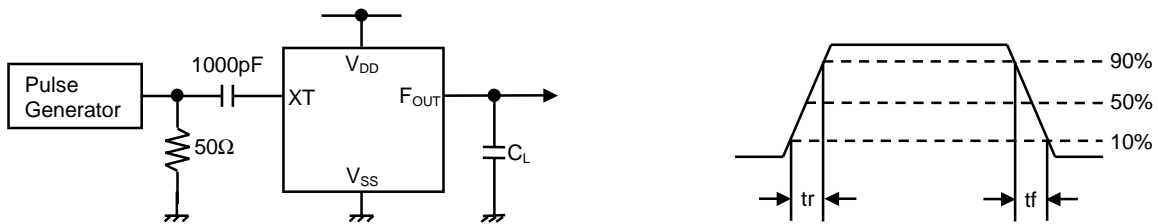
Note4) Excluding input current on \overline{CONT} Terminal.

MEASUREMENT CIRCUITS

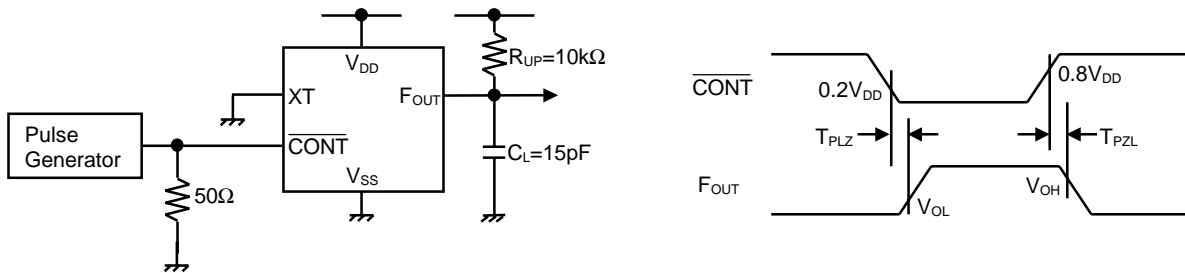
(1) Output Signal Symmetry ($C_L=15/30/50\text{pF}$)



(2) Output Signal Rise/Fall Time ($C_L=15/30/50\text{pF}$)



(3) Output Disable/Enable Time ($C_L=15\text{pF}, R_{UP}=10\text{k}\Omega$)



[CAUTION]
 The specifications on this data book are only given for information, without any guarantee as regards either mistakes or omissions. The application circuits in this data book are described only to show representative usages of the product and not intended for the guarantee or permission of any right including the industrial rights.