
Designated client product

This product will be discontinued its production in the near term.
And it is provided for customers currently in use only, with a time limit.
It can not be available for your new project. Please select other new or existing products.

For more information, please contact our sales office in your region.

New Japan Radio Co.,Ltd.

<http://www.njr.com/>

VIDEO PICTURE ENHANCER

■ GENERAL DESCRIPTION

The **NJM2209** is the video IC for quality improvement of the video picture to get high quality by rectifying the picture contour.

■ FEATURES

- Operating Voltage (+4.5V to +5.5V)
- By Differential From, Picture Enhance
- at Minimal External Components
- Internal Switch of Hirough/Picture Enhance
- Package Outline DMP14
- Bipolar Technology

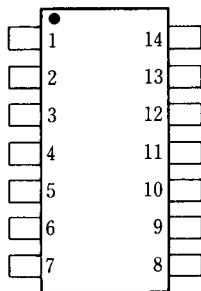
■ RECOMMENDED OPERATING CONDITION

- Operating Voltage 4.5 to 5.5V

■ APPLICATION

- Upgrading of picture quality on VCR, personal computer and other video picture.

■ PIN CONFIGURATION

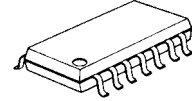


NJM2209M

PIN FUNCTION

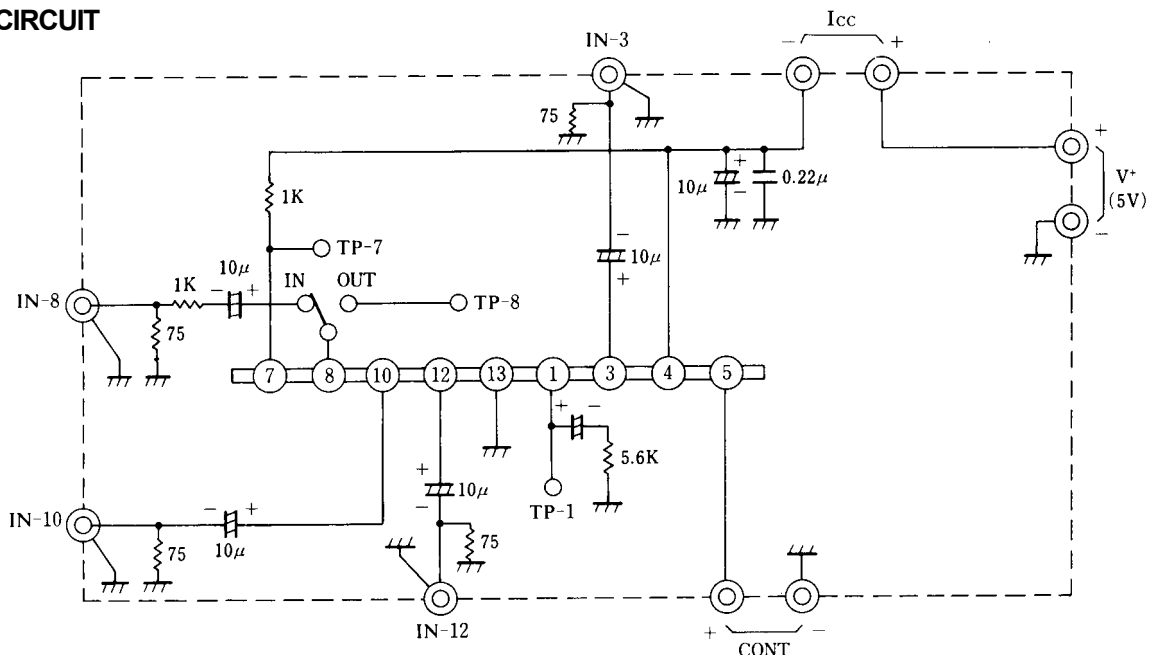
- | | |
|------------------------|---------------------------|
| 1. Video Signal Output | 8. Frequency Compensation |
| 2. N.C. | 9. N.C. |
| 3. Differential Input | 10. Video Signal Input |
| 4. V ⁺ | 11. N.C. |
| 5. Control Input | 12. Phase Delay |
| 6. N.C. | 13. GND |
| 7. Differential Output | 14. N.C. |

■ PACKAGE OUTLINE



NJM2209M

■ TEST CIRCUIT



NJM2209

■ ABSOLUTE MAXIMUM RATINGS

(T_a=25°C)

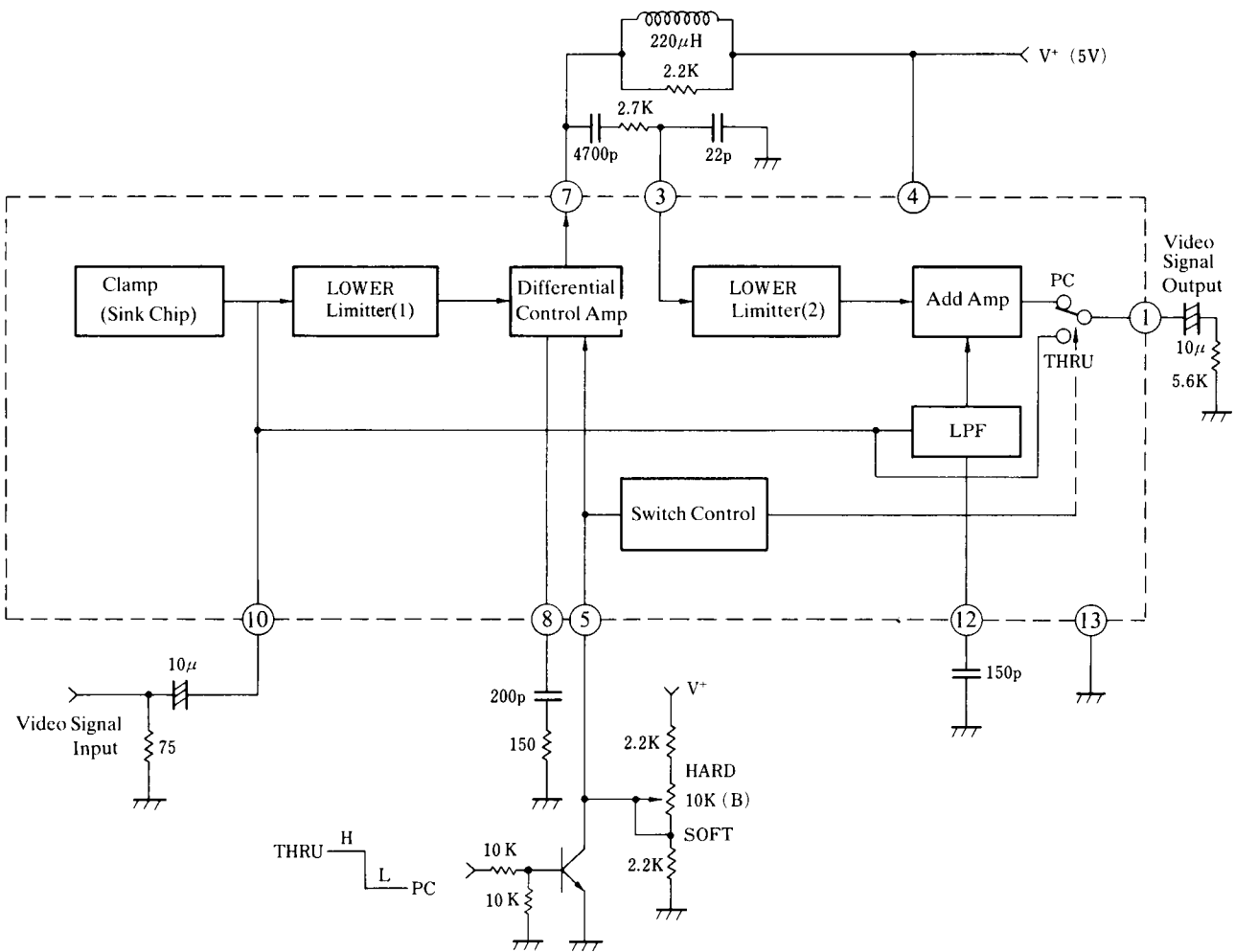
PARAMETER	SYMBOL	RATINGS	UNIT
Supply Voltage	V ⁺	8	V
Power Dissipation	P _D	(DMP8)300	mW mW
Operating Temperature Range	T _{opr}	-20 to +75	°C
Storage Temperature Range	T _{stg}	-40 to +125	°C

■ ELECTRICAL CHARACTERISTICS

(V⁺=5V, T_a=25°C, Refer to Test Circuit)

PARAMETER	SYMBOL	SIGNAL PIN	TEST PIN	CONT. VOLTAGE	TEST CONDITION	MIN.	TYP.	MAX.	UNIT	
Operating Current	I _{CC}			2.8V	No Input Signal	-	7.5	10	mA	
Limiter Level (1)	LIM1	10	8	-	SYNC level>0.35V, Input Video Signal	0.23	0.27	0.31	V	
Limiter Level (2)	LIM2	3	1	-	f=100kHz, 1V _{P-P} Sine Wave Input	0.21	0.25	0.29	V	
Control Amp Gain	H	G _H	8	7	2.8V	f=100kHz, 0.1V _{rms} . Sine Wave Input G=20 log ₁₀ V _{OUT} /V _{IN} (dB)	-2	-0.9	0	dB
	M	G _M	8	7	1.3V		-12	-10	-8	dB
	L	G _L	8	7	0.45V		-	-	-28	dB
Add Amp Gain	3 pin input	G ₇	3	1	2.8V	f=100kHz, 200mV _{P-P} Sine Wave G=20 log ₁₀ V _{OUT} /V _{IN} (dB)	-1.6	-0.6	0.4	dB
	10 pin input	G ₃	10	1	2.8V	1V _{P-P} Video Signal Input G=20 log ₁₀ V _{OUT} /V _{IN} (dB)	-1	0	+1	dB
Switch Cross Talk	C _{SW}	12	1	2.8→0V	f=2MHz, 1V _{P-P} Sine Wave C _{SW} =20 log ₁₀ V(0V)/V(2.8V) (dB)	-	-50	-	dB	
Through Gain	G _T	10	1	0V	1V _{P-P} Video Signal Input G _T =20 log ₁₀ V _{OUT} /V _{IN} (dB)	-1	0	1	dB	
Switch Control Threshold Voltage	V _{TH}	12	1		f=100kHz, 1V _{P-P} Sine Wave Input -40dB=20 log ₁₀ V _{OUT} /V _{IN}	0.2	0.3	0.4	V	
Differential Gain (Note 1)	DG _{PC}	10	1	2.8V	DGDP Tester Video Signal 1V _{P-P} (Stair Step)	-	1	3	%	
Differential Gain (Note 2)	DG _T	10	1	0V		-	0	3	%	
1 PIN Voltage (Note 1)	V _{6PC}		1	2.8V		-	1.8	-	V	
1 PIN Voltage (Note 2)	V _{6T}		1	0V		-	2.0	-	V	

■ TYPICAL APPLICATION



■ PRINCIPLES OF OPERATION, BI BLOCK DIAGRAM

The **NJM2209** is a video signal IC which converts an input video signal to a compensated video signal of the picture outline by adding an input signal through a differential amplifier to the original input signal.

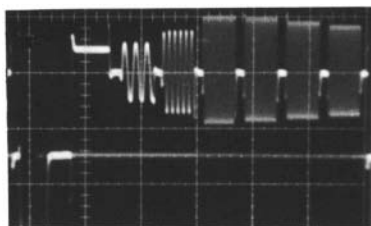
The compensating (enhanced) ratio is decided by pin 5 voltage and so the original signal comes when pin 5 voltage is zero.

A peaking frequency compensation of the internal differential amplifier is changed by C,R attached to pin 8 and L,R to pin 7.

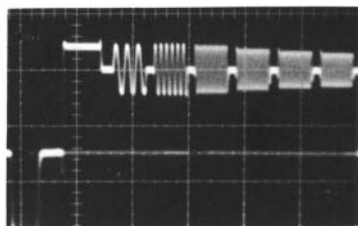
The compensation signal and the original video signal are delayed the phase by low pass filter. These are done by a capacitor attached to pin 12. The compensated ratio is originally settled by the coupling condenser between pin 7 and pin 3.

Example (Multi-Burst Enhancer)

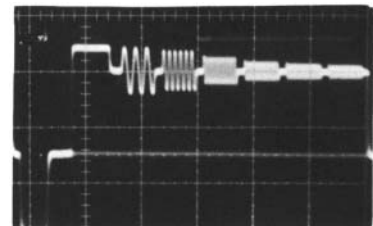
HARD



MID



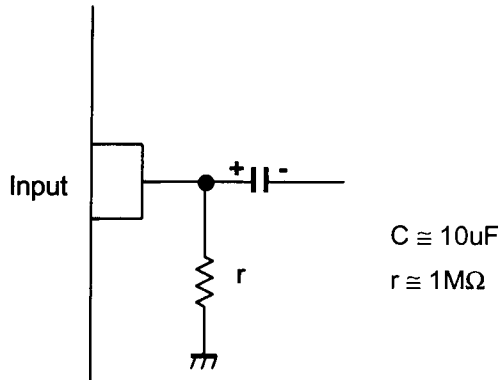
SOFT



NJM2209

■ APPLICATION

This IC requires 1MΩ resistance between INPUT and GND pin for clamp type input since the minute current causes an unstable pin voltage.



[CAUTION]

The specifications on this databook are only given for information, without any guarantee as regards either mistakes or omissions. The application circuits in this databook are described only to show representative usages of the product and not intended for the guarantee or permission of any right including the industrial rights.