

SUMMARY

NJU2612x Mini Board is composed of DEMO I/F Board and NJU2612x Built-in Board. One mounts MPU, ADC and power supply circuit. The other mounts NJU2612x DSP, ADC, DAC and NJM2753 (selector).

BLOCK DIAGRAM

Figure1 shows the block diagram of demo Board.

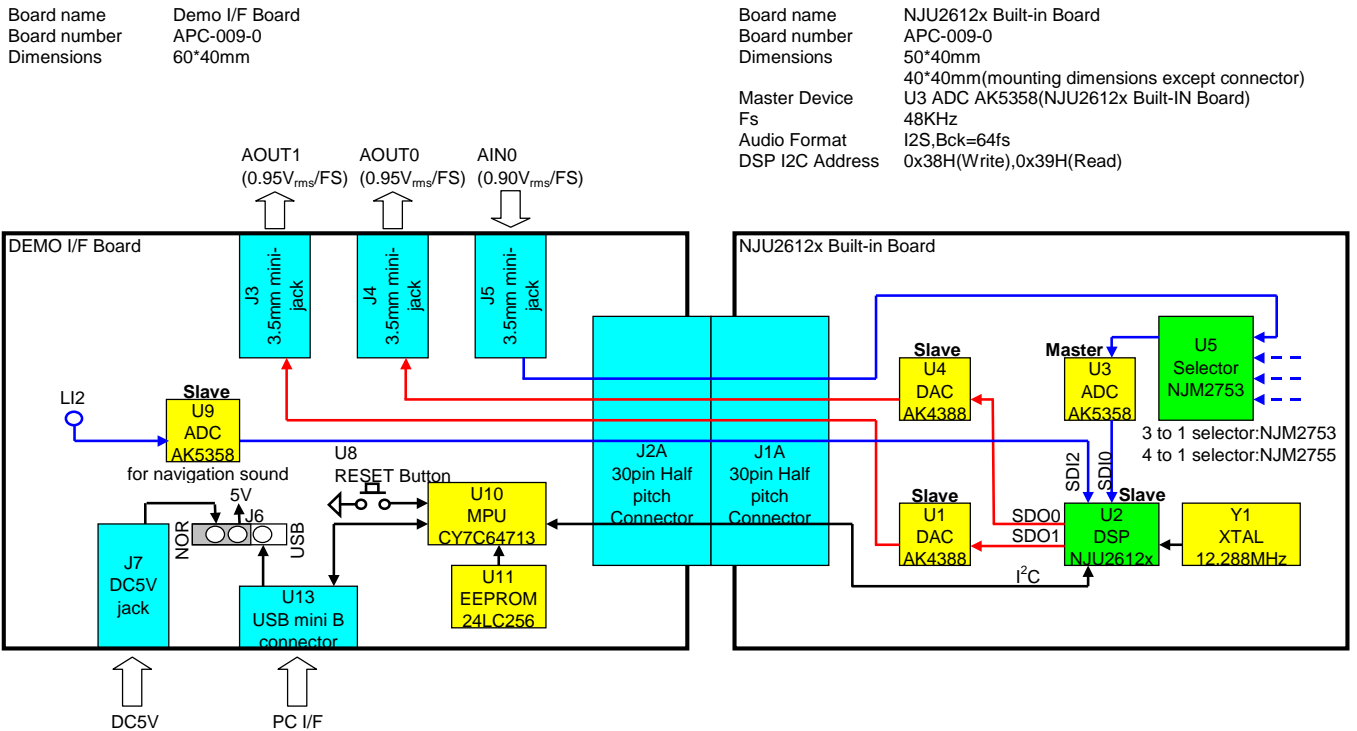


Figure 1 Block Diagram

NJU2612x Mini Board

USAGE of DEMO Board

1. Connect DEMO I/F Board to NJU2612x Built-in Board.
2. Connect a CD player and speakers to the DEMO Board with stereo mini cables.
3. Supply DC 5V power.
4. Connect to PC with a USB mini-B cable.
5. Execute GUI of DSP.

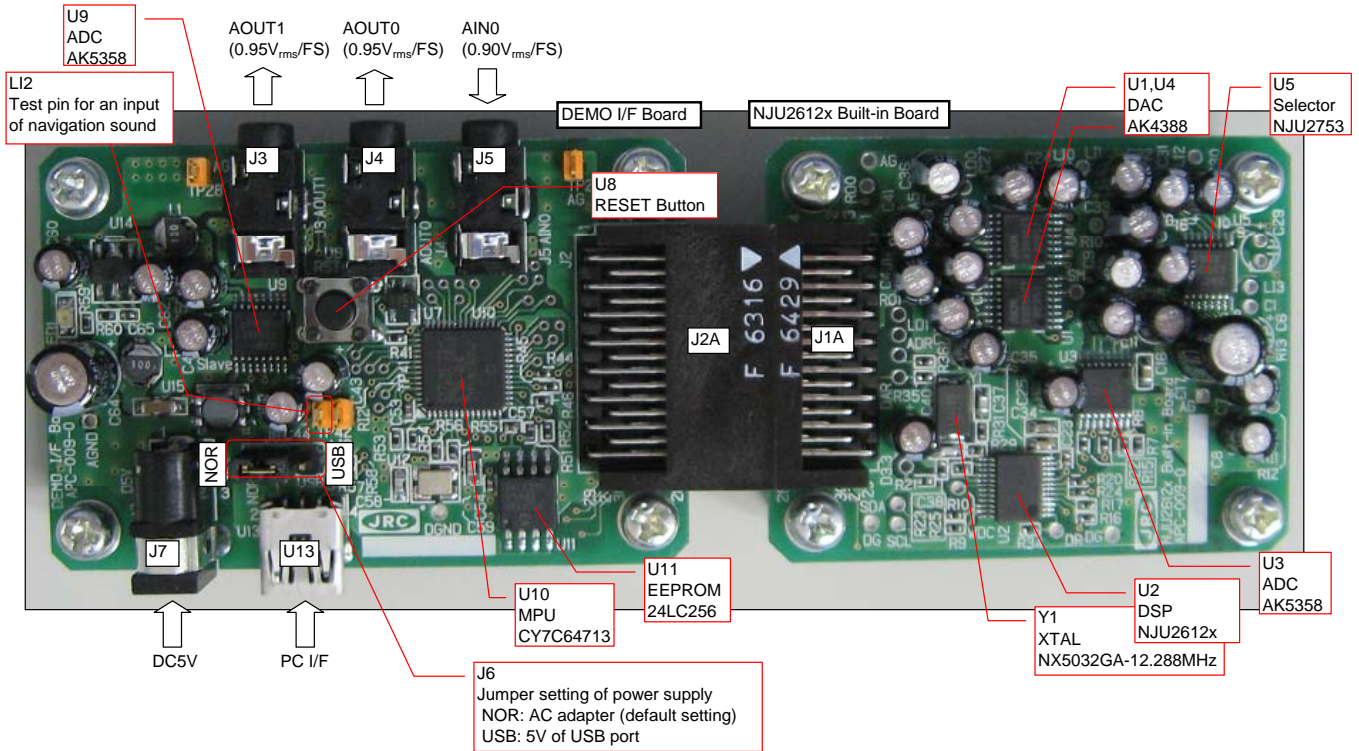


Figure 2 Outline view

NJU2612x Mini Board

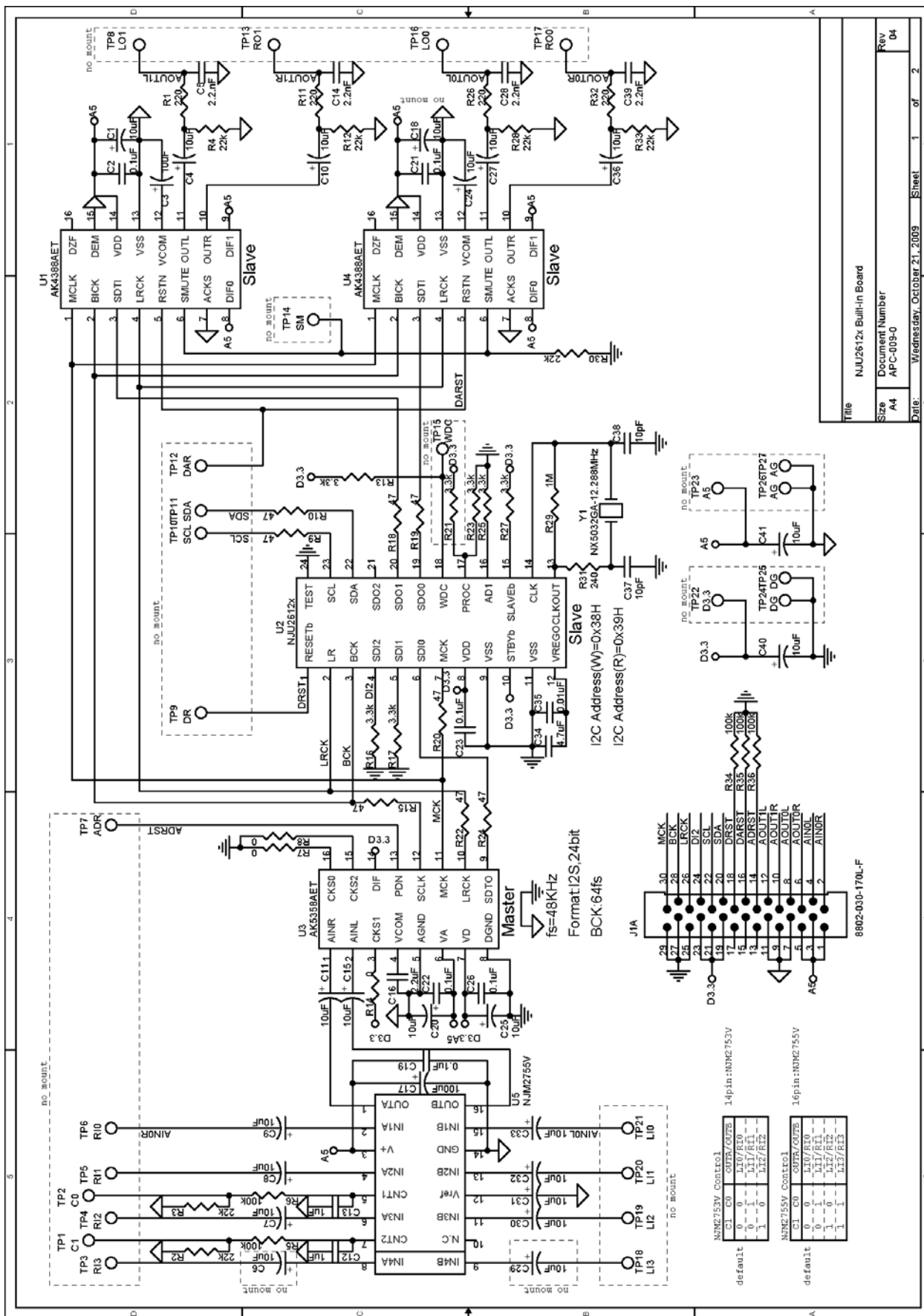


Figure 3 NJU2612x Built-in board (APC-009-0)

NJU2612x Mini Board

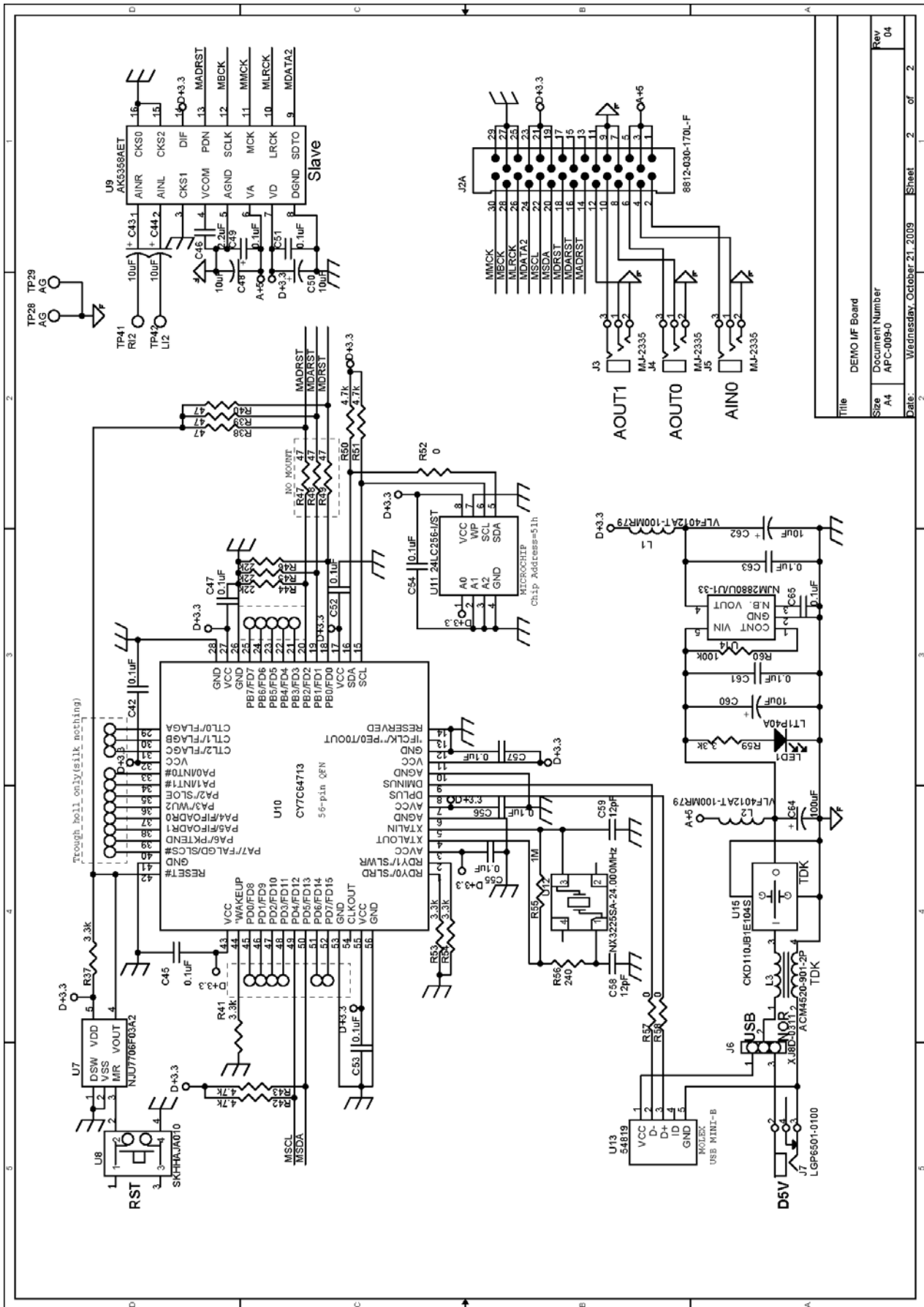


Figure 4 DEMO I/F Board (APC-009-0)

NJU2612x Mini Board

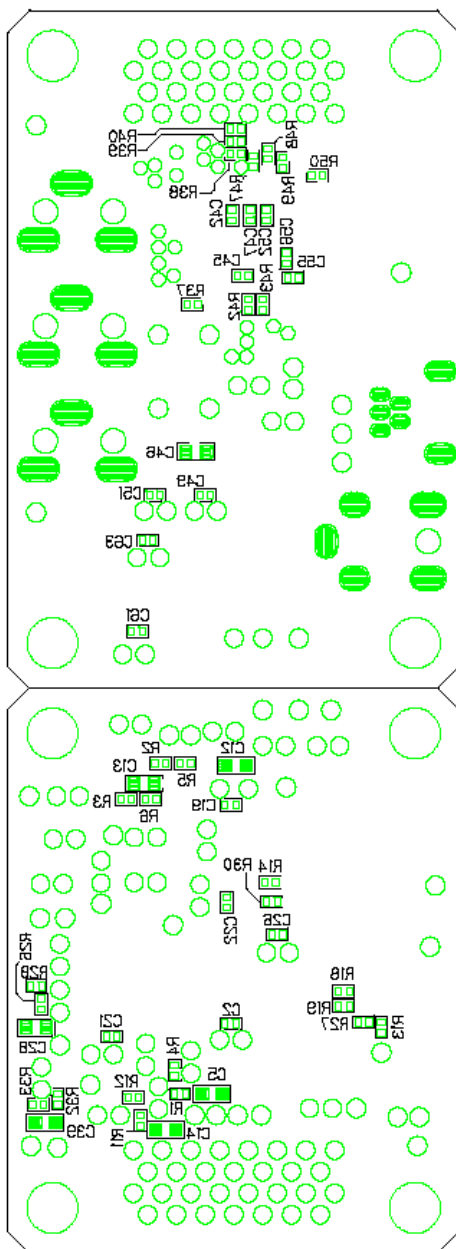


Figure 6 NJU2612x Built-in Board and DEMO I/F Board (APC-009-0) Backside silk

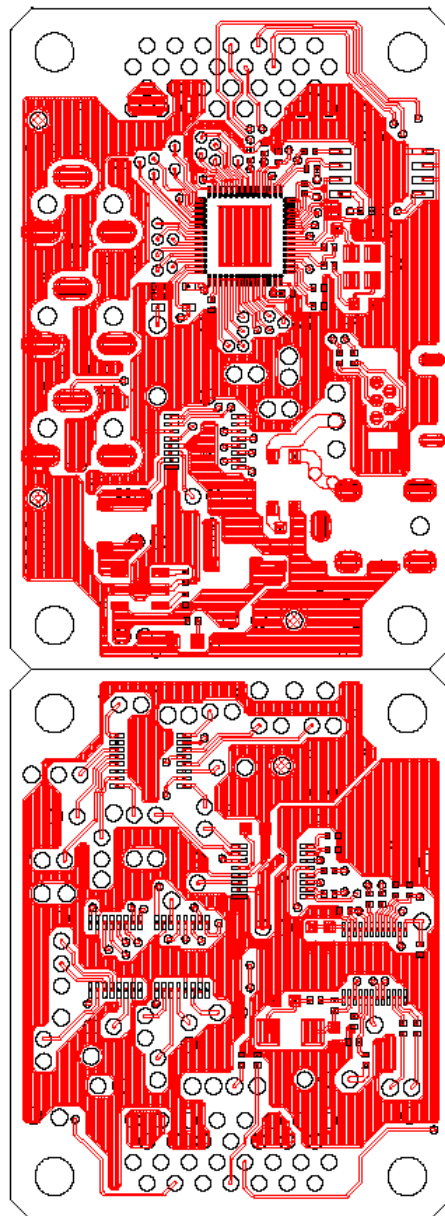


Figure 7 NJU2612x Built-in Board and DEMO I/F Board (APC-009-0) component side pattern

NJU2612x Mini Board

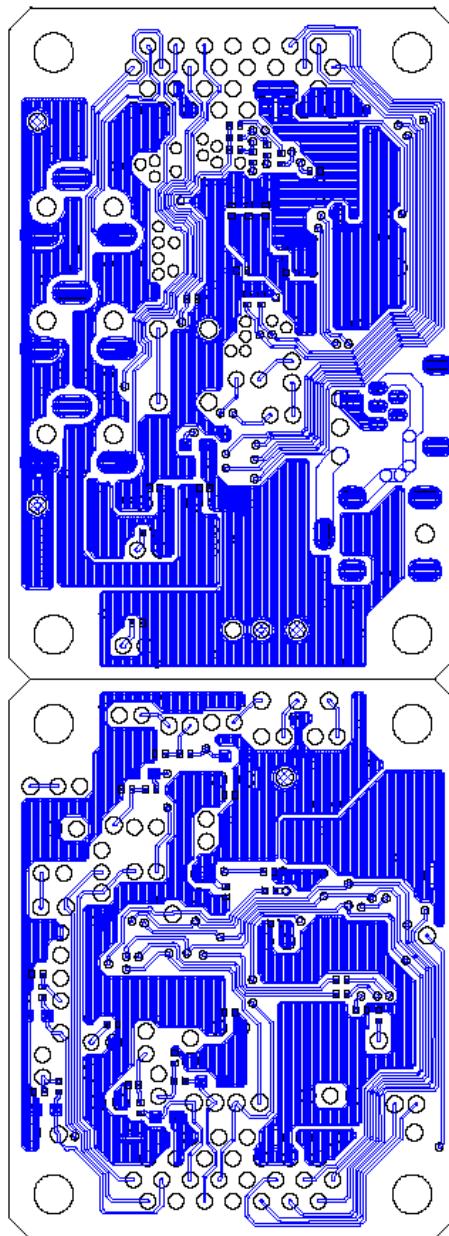


Figure 8 NJU2612x Built-in Board and DEMO I/F Board (APC-009-0) backside pattern

MEMO

[CAUTION]

The specifications on this databook are only given for information, without any guarantee as regards either mistakes or omissions. The application circuits in this databook are described only to show representative usages of the product and not intended for the guarantee or permission of any right including the industrial rights.