

## PWM control Step-Down switching regulator IC

### ■ GENERAL DESCRIPTION

The **NJU7630** is a low voltage operation high-speed switching regulator control IC for step-down converter, with PWM control.

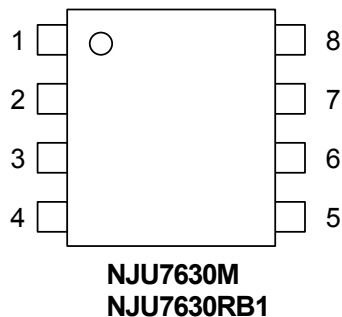
It incorporates a totem pole output, which can drive an external MOS-FET easily. The NJU7630 also has a soft-start function, dead time control and timer latch for short circuit protection and their times are all adjustable with external parts. It is available in 8-lead DMP and MSOP (TVSP) packages. It is suitable for battery powered applications.

### ■ FEATURES

- PWM switching control
- Operating Voltage            2.2V to 8V
- Wide Oscillator Range       300kHz to 1MHz
- Maximum Duty Cycle        100%
- Quiescent Current            800 $\mu$ A typ.
- Soft-Start Function          Internal : 16ms typ. or adjustable
- Dead Time Control
- Timer Latch for Short Circuit Protection
- C-MOS Technology
- Package Outline              NJU7630M : DMP8  
NJU7630RB1 : MSOP8 (TVSP8)\*

\*MEET JEDEC MO-187-DA/ THIN TYPE

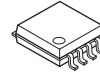
### ■ PIN CONFIGURATION



### PIN FUNCTION

1. OUT
2. V<sup>+</sup>
3. FB
4. IN-
5. SCP
6. DTC
7. RT
8. GND

### ■ PACKAGE OUTLINE

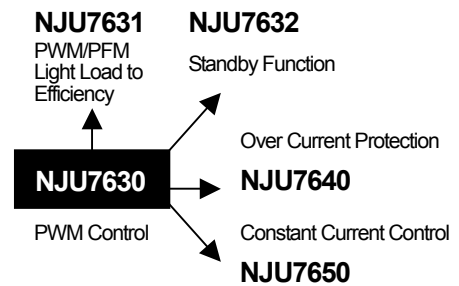


**NJU7630M**  
(DMP8)



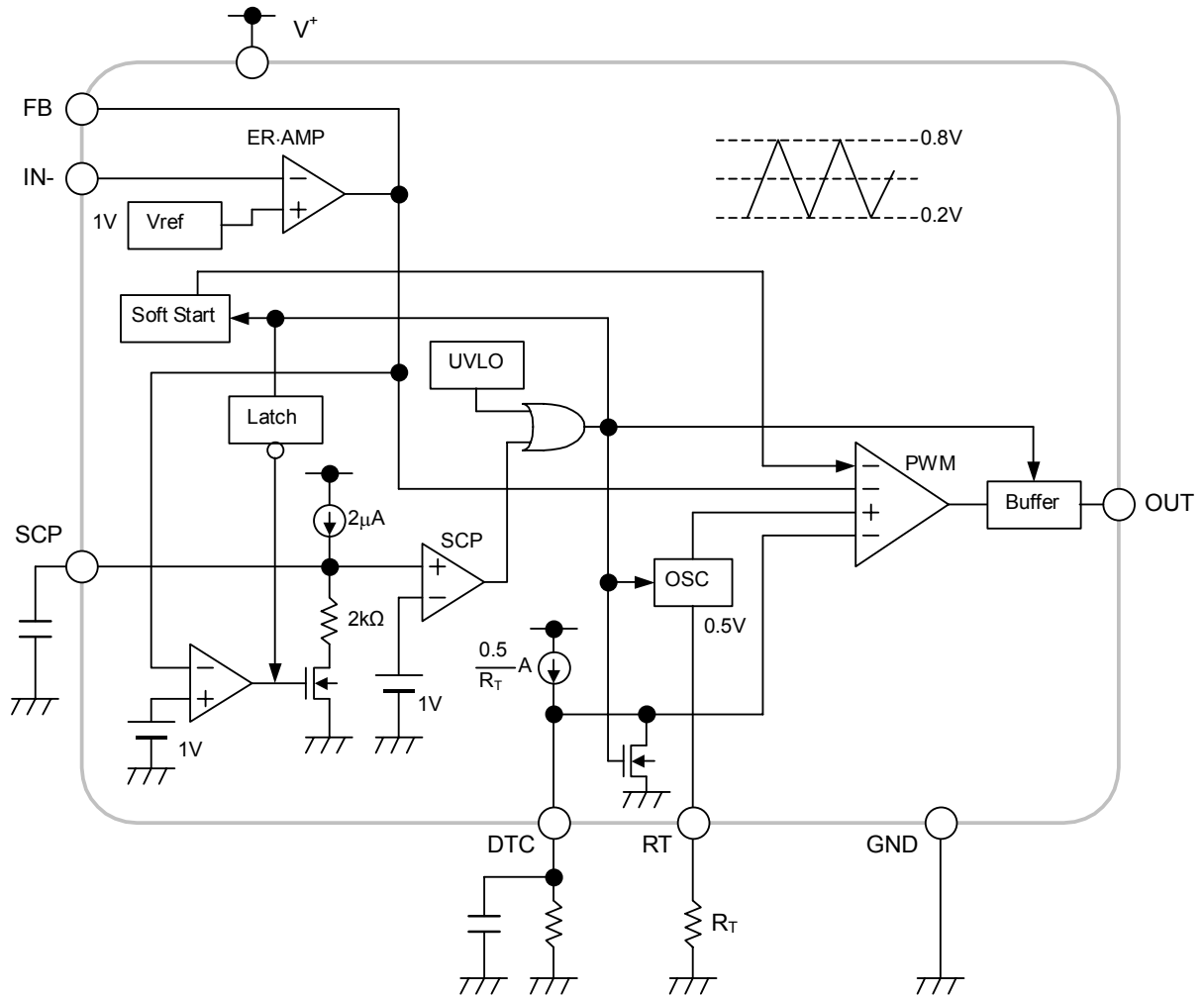
**NJU7630RB1**  
(MSOP8 (TVSP8))

### ■ PRODUCT VARIATION



# NJU7630

## ■ BLOCK DIAGRAM



## ■ ABSOLUTE MAXIMUM RATINGS

(Ta=25°C)

PARAMETER	SYMBOL	MAXIMUM RATINGS	UNIT
Supply Voltage	$V^+$	+9	V
Output Pin Current	$I_O$	±50	mA
Power Dissipation	$P_D$	DMP8 :300 MSOP8 (TVSP8) :320	mW
Operating Temperature Range	$T_{OPR}$	-40 to +85	°C
Storage Temperature Range	$T_{STG}$	-40 to +125	°C

## ■ RECOMMENDED OPERATING CONDITIONS

(Ta=25°C)

PARAMETER	SYMBOL	MIN.	TYP.	MAX.	UNIT
Operating Voltage	$V^+$	2.2	—	8	V
Oscillator Timing Resistor	$R_T$	30	47	120	kΩ
Oscillation Frequency	$f_{OSC}$	300	700	1,000	kHz

## ■ ELECTRICAL CHARACTERISTICS

(V<sup>+</sup>=3.3V, R<sub>T</sub>=47kΩ, Ta=25°C)

PARAMETER	SYMBOL	TEST CONDITION	MIN.	TYP.	MAX.	UNIT
<b>Under Voltage Lockout Block</b>						
ON Threshold Voltage	$V_{T\_ON}$	$V^+ = L \rightarrow H$	1.9	2.0	2.1	V
OFF Threshold Voltage	$V_{T\_OFF}$	$V^+ = H \rightarrow L$	1.8	1.9	2.0	V
Hysteresis Voltage	$V_{HYS}$		60	100	—	mV
<b>Soft Start Block</b>						
Soft Start Time	$T_{SS}$	$V_{T\_ON} \rightarrow \text{Duty}=80\%$	8	16	24	ms
<b>Short Circuit Protection Block</b>						
Input Threshold Voltage	$V_{T\_PC}$	FB Pin	0.95	1.00	1.05	V
Charge Current	$I_{CHG}$	$V_{SCP}=0V$	1.5	2	2.5	μA
Latch Mode ON Threshold Voltage	$V_{T\_LA}$	SCP Pin	0.95	1.00	1.05	V
Latch Mode OFF Threshold Voltage	$V_{T\_LAOFF}$	SCP Pin	0.2	0.45	0.7	V
<b>Oscillator Block</b>						
RT Pin Voltage	$V_{RT}$		-5%	0.5	+5%	V
Oscillation Frequency	$f_{OSC}$		630	700	770	kHz
Oscillate Supply Voltage Fluctuations	$f_{DV}$	$V^+=2.2V$ to 8V	—	1	—	%
Oscillate Temperature Fluctuations	$f_{DT}$	Ta=-40°C to +85°C	—	3	—	%

# NJU7630

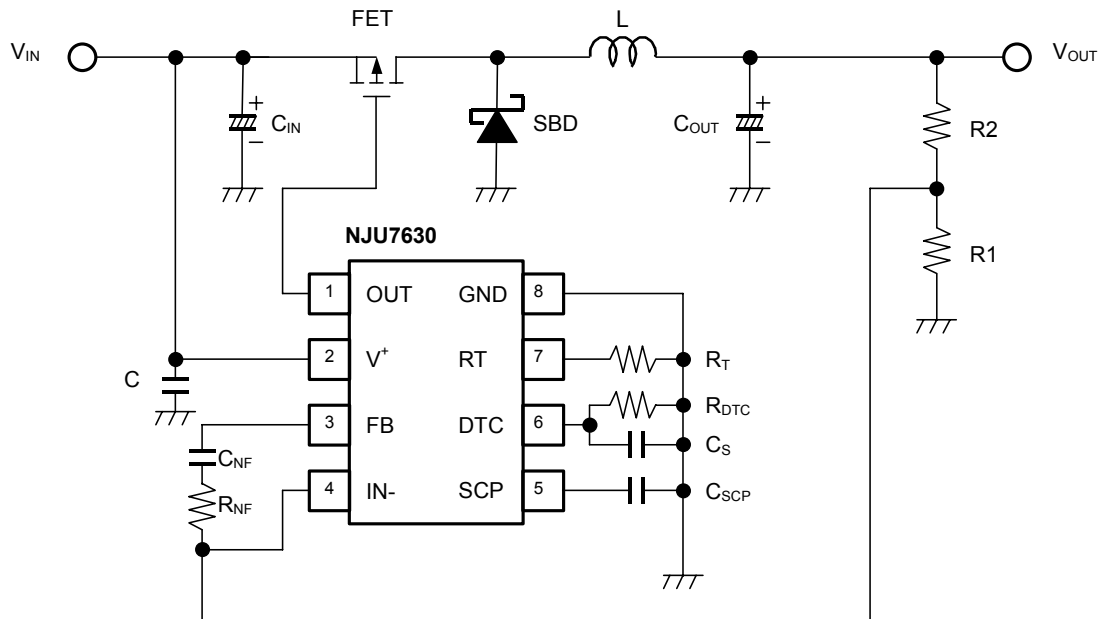
## ■ ELECTRICAL CHARACTERISTICS

( $V^+=3.3V$ ,  $R_T=47k\Omega$ ,  $T_a=25^\circ C$ )

PARAMETER	SYMBOL	TEST CONDITION	MIN.	TYP.	MAX.	UNIT
<b>Error Amplifier Block</b>						
Reference Voltage	$V_B$		-1.0%	1.00	+1.0%	V
Input Bias Current	$I_B$		-0.1	–	0.1	$\mu A$
Open Loop Gain	$A_V$		–	80	–	dB
Gain Bandwidth Product	$G_B$		–	1	–	MHz
Output Source Current	$I_{OM+1}$	$V_{FB}=1V$ , $V_{IN-}=0.9V$	25	55	95	mA
	$I_{OM+2}$	$V_{FB}=1V$ , $V_{IN-}=0.9V$ , $V^+=2.2V$	4	9	16	mA
Output Sink Current	$I_{OM-}$	$V_{FB}=1V$ , $V_{IN-}=1.1V$	0.10	0.16	0.22	mA
<b>PWM Compare Block</b>						
Input Threshold Voltage	$V_{T_0}$	Duty=0%	0.16	0.22	0.28	V
	$V_{T_{50}}$	Duty=50%	0.44	0.5	0.56	V
Maximum Duty Cycle	$M_{AXDUTY_1}$	$V_{FB}=0.9V$	100	–	–	%
	$M_{AXDUTY_2}$	$V_{FB}=0.9V$ , $R_{DTC}=47k\Omega$	40	50	60	%
<b>Output Block</b>						
Output High Level ON Resistance	$R_{OH}$	$I_O=-20mA$	–	10	20	$\Omega$
Output Low Level ON Resistance	$R_{OL}$	$I_O=+20mA$	–	5	10	$\Omega$
<b>General Characteristics</b>						
Quiescent Current	$I_{DD}$	$R_L=Non\ Load$	–	800	1200	$\mu A$

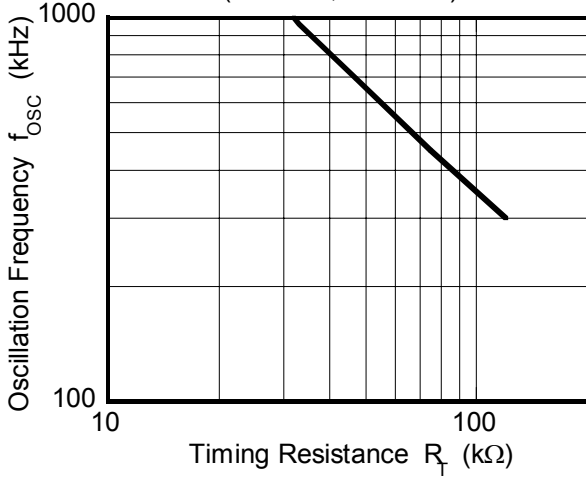
## ■ TYPICAL APPLICATIONS

### Step-Down Converter

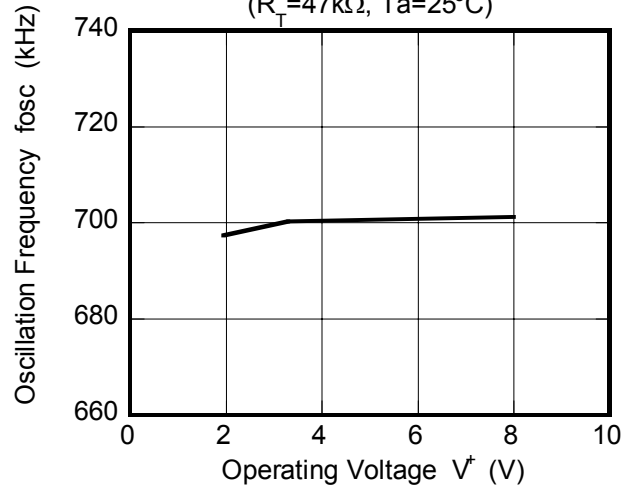


## ■ TYPICAL CHARACTERISTICS

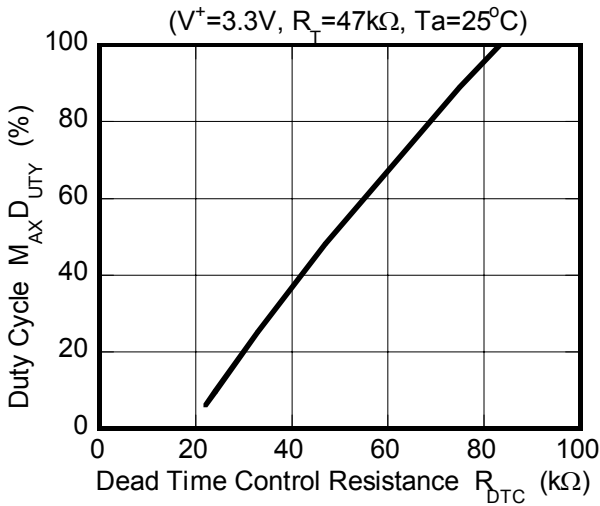
Oscillation Frequency vs. Timing Resistance  
( $V^+ = 3.3V$ ,  $T_a = 25^\circ C$ )



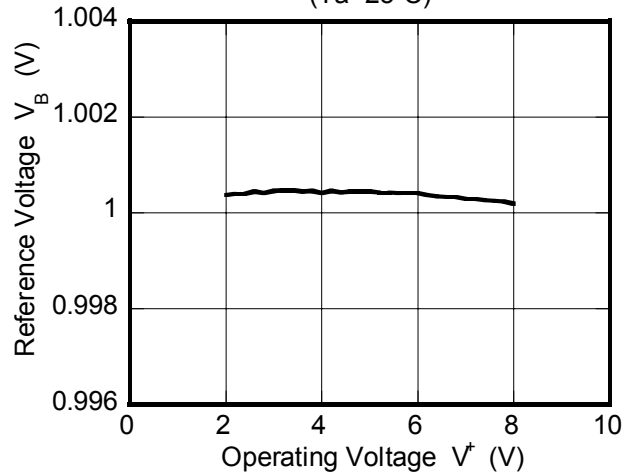
Oscillation Frequency vs. Operating Voltage  
( $R_T = 47k\Omega$ ,  $T_a = 25^\circ C$ )



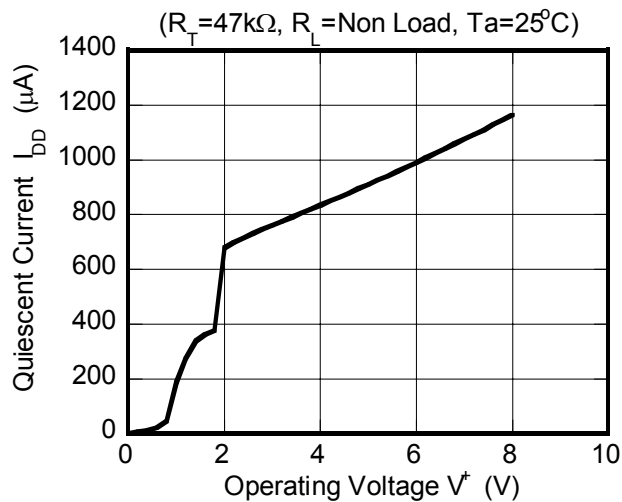
Duty Cycle vs.  $R_{DTC}$



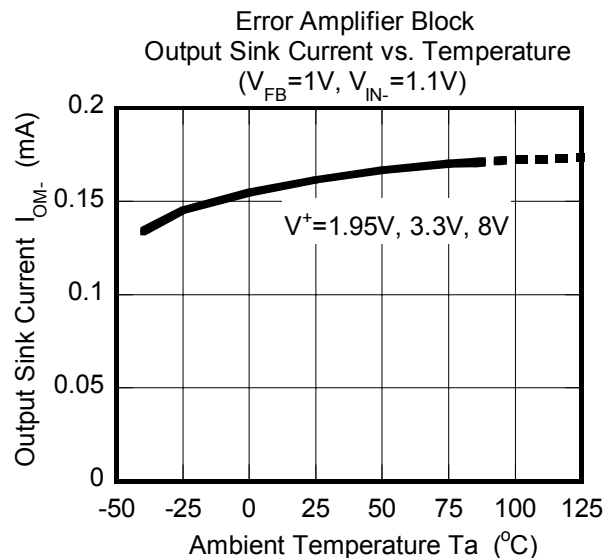
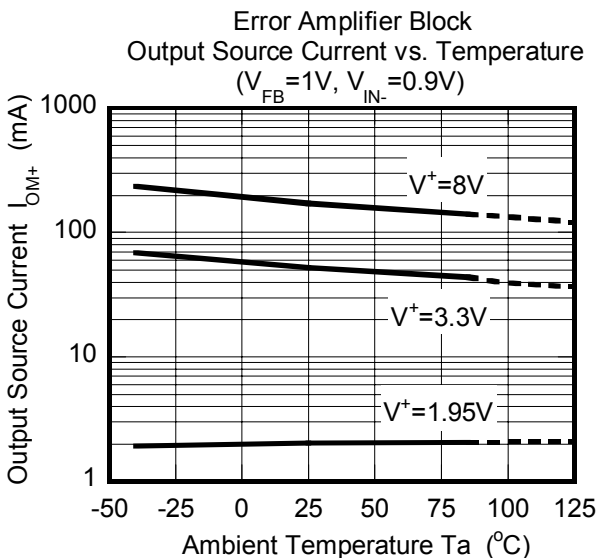
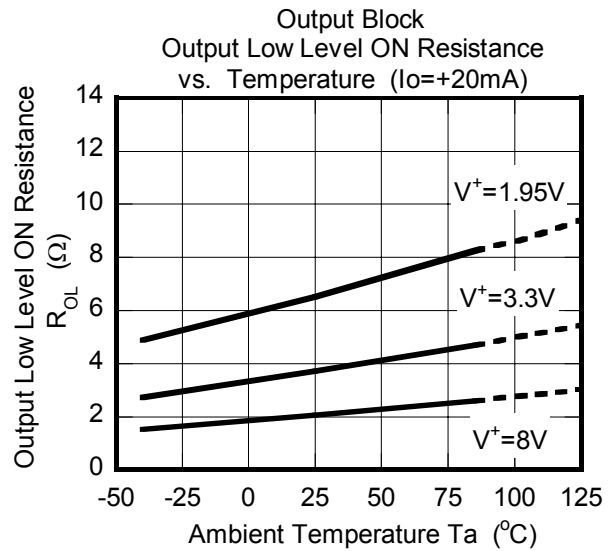
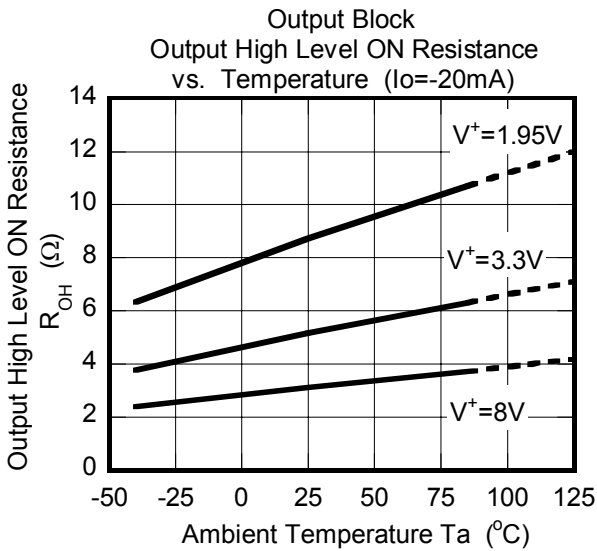
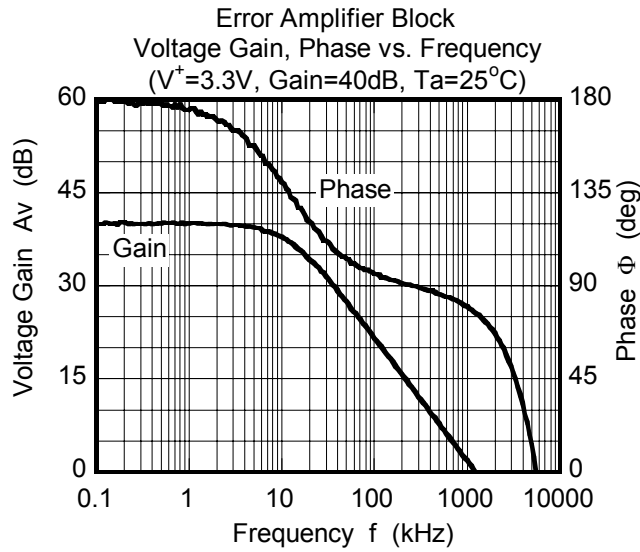
Reference Voltage vs. Operating Voltage  
( $T_a = 25^\circ C$ )



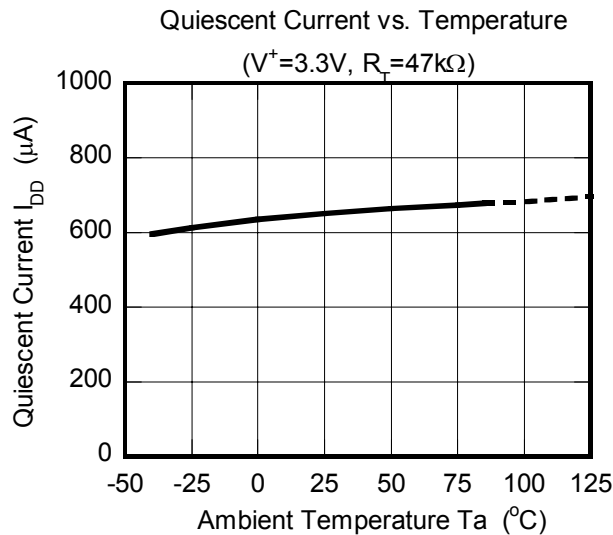
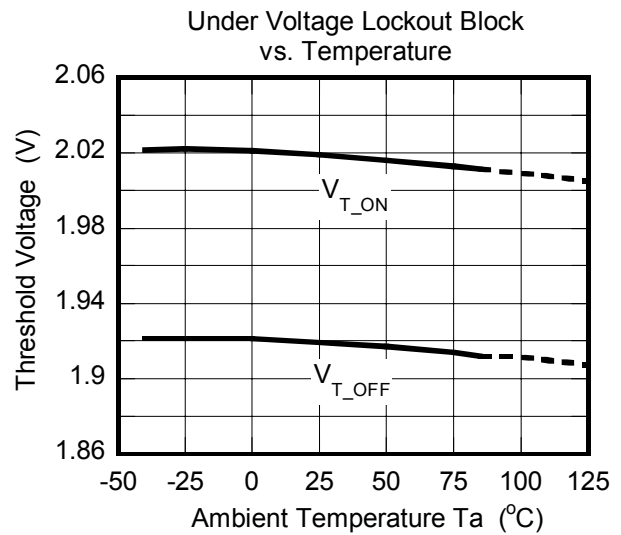
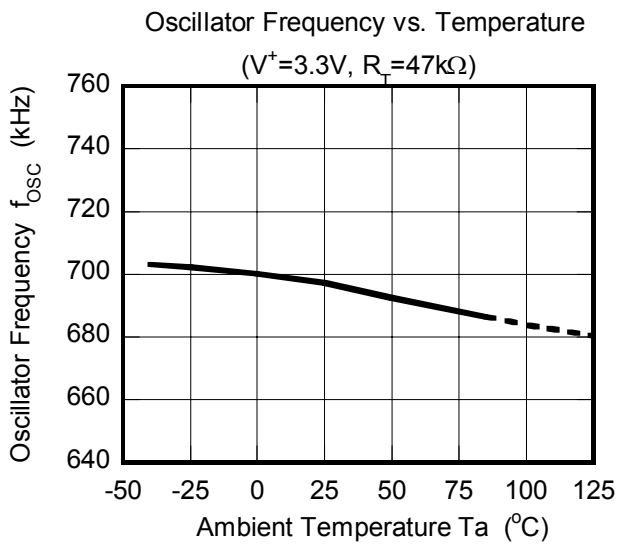
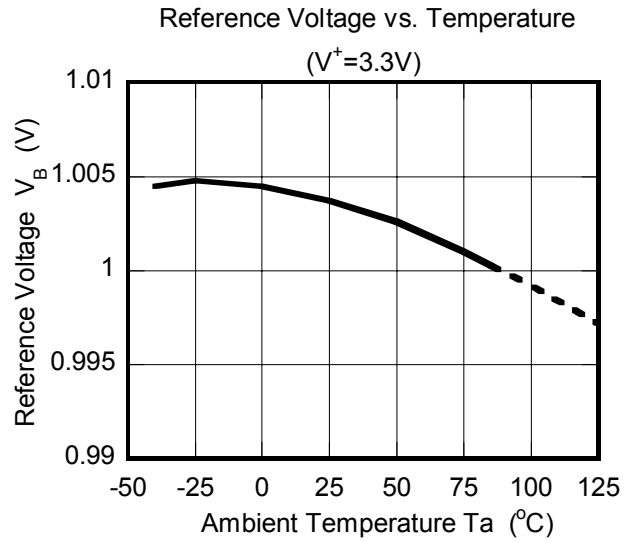
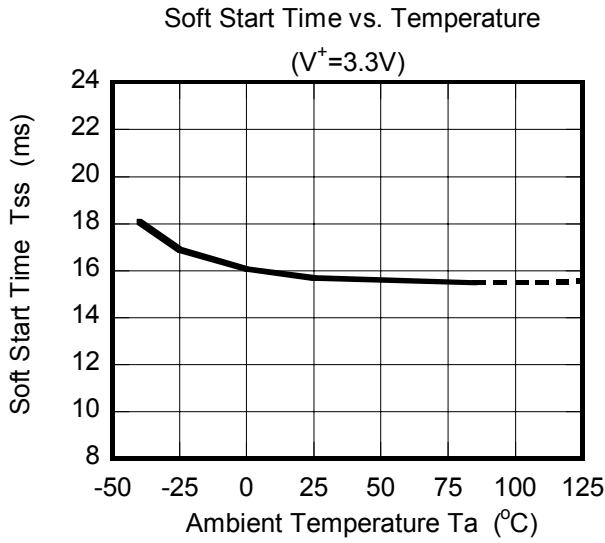
Quiescent Current vs. Operating Voltage



## ■ TYPICAL CHARACTERISTICS



## ■ TYPICAL CHARACTERISTICS





# MEMO

**[CAUTION]**

The specifications on this databook are only given for information, without any guarantee as regards either mistakes or omissions. The application circuits in this databook are described only to show representative usages of the product and not intended for the guarantee or permission of any right including the industrial rights.