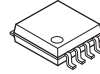


## ULTRA HIGH-SPEED SINGLE OPERATIONAL AMPLIFIER

### ■ GENERAL DESCRIPTION

The NJM2712 is a dual high speed wide bandwidth operational amplifier. It features high slew rate of 260V/μs and wide gain bandwidth of 1GHz. It is suitable for analog front end application.

### ■ PACKAGR OUTLINE



**NJM2712M**  
(DMP8)



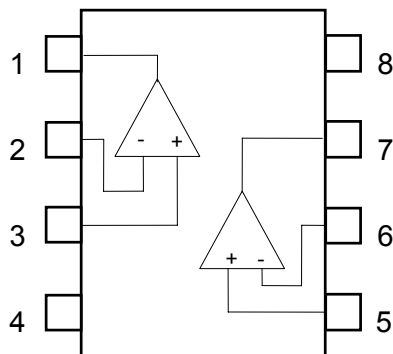
**NJM2712RB1**  
(MSOP8 (TVSP8))

### ■ FEATURES

- Operating Voltage  $\pm 2.0$  to  $\pm 4.5$ V
- Operating Current 3.8mA typ. (at  $V^+/V^- = \pm 2.5$ V)
- High Slew Rate 260V/μs typ.
- Gain Bandwidth Product 1GHz typ.
- Bandwidth 10MHz typ. (at 40dB)
- Unity Gain Bandwidth 180MHz typ.
- Input Offset Voltage 7mV max.
- Maximum Output Voltage  $\pm 1.5$ V typ. (at  $R_L = 1k\Omega$ )
- Supply Voltage Rejection 60dB typ
- Open Loop Voltage Gain 75dB typ.
- Bipolar Technology
- Package Outline DMP8,  
MSOP8 (TVSP8) MEET JEDEC MO-187-DA / THIN TYPE

### ■ PIN CONFIGURATION

**NJM2712M**  
**NJM2712RB1**  
(Top View)



#### PIN FUNCTION

- 1. OUTPUT1
- 2. -INPUT1
- 3. +INPUT1
- 4.  $V^-$
- 5. +INPUT2
- 6. -INPUT2
- 7. OUTPUT2
- 8.  $V^+$

# NJM2712

## ■ ABSOLUTE MAXIMUM RATINGS

(Ta=25°C)

PARAMETER	SYMBOL	RATINGS	UNIT
Supply Voltage	V <sup>+</sup>	10	V
Differential Input Voltage	V <sub>ID</sub>	±2	V
Power Dissipation	P <sub>D</sub>	300(DMP8) 320(MSOP8(TVSP8))	mW
Operating Temperature Range	T <sub>opr</sub>	-40 to +85	°C
Storage Temperature Range	T <sub>stg</sub>	-50 to +150	°C

## ■ RECOMMENDED OPERATING CONDITION

(Ta=25°C)

PARAMETER	SYMBOL	TEST CONDITION	MIN	TYP	MAX	UNIT
Operating Voltage Range	V <sup>+</sup> /V <sup>-</sup>		±2.0	±2.5	±4.5	V

## ■ DC CHARACTERISTICS

(V<sup>+</sup>/V<sup>-</sup>=±2.5V, Ta=25°C)

PARAMETER	SYMBOL	TEST CONDITION	MIN	TYP	MAX	UNIT
Operating Current	I <sub>CC</sub>	No Signal	-	3.8	6.8	mA
Input Offset Voltage	V <sub>IO</sub>		-	2.0	7.0	mV
Input Bias Current	I <sub>B</sub>		-	2	7	μA
Input Offset Current	I <sub>IO</sub>		-	350	900	nA
Open Loop Voltage Gain	A <sub>v</sub>	R <sub>L</sub> =2kΩ	65	75	-	dB
Input Common Mode Voltage Range	V <sub>ICM</sub>		±1.3	±1.5	-	V
Common Mode Rejection	CMR	-1V ≤ V <sub>CM</sub> ≤ +1V	50	60	-	dB
Supply Voltage Rejection	+SVR	2.5V ≤ V <sup>+</sup> ≤ 5V, R <sub>L</sub> =2kΩ	50	60	-	dB
	-SVR	-5V ≤ V <sup>-</sup> ≤ -2.5V, R <sub>L</sub> =2kΩ	50	60	-	dB
Maximum Output Voltage	V <sub>OM</sub>	R <sub>L</sub> =1kΩ	±1.2	±1.5	-	V

## ■ AC CHARACTERISTICS

(V<sup>+</sup>/V<sup>-</sup>=±2.5V, Ta=25°C)

PARAMETER	SYMBOL	TEST CONDITION	MIN	TYP	MAX	UNIT
Bandwidth	BW	A <sub>v</sub> =40dB, R <sub>f</sub> =1.98kΩ, R <sub>L</sub> =∞ C <sub>L</sub> =10pF	-	10	-	MHz
Unity Gain Bandwidth	f <sub>T</sub>	A <sub>v</sub> =40dB, R <sub>g</sub> =20Ω, R <sub>f</sub> =1.98kΩ R <sub>L</sub> =∞, C <sub>L</sub> =10pF	-	180	-	MHz
Phase Margin	φ <sub>M</sub>	A <sub>v</sub> =40dB, R <sub>g</sub> =20Ω, R <sub>f</sub> =1.98kΩ R <sub>L</sub> =∞, C <sub>L</sub> =10pF	-	38	-	deg
Equivalent Input Noise Voltage	V <sub>NI</sub>		-	6.8	-	nV/√Hz

## ■ TRANSIENT CHARACTERISTICS

(V<sup>+</sup>/V<sup>-</sup>=±2.5V, Ta=25°C)

PARAMETER	SYMBOL	TEST CONDITION	MIN	TYP	MAX	UNIT
Slew Rate	+SR	A <sub>v</sub> =6dB, R <sub>f</sub> =1kΩ, R <sub>g</sub> =1kΩ	-	260	-	V/μs
	-SR	R <sub>L</sub> =∞, C <sub>L</sub> =10pF	-	260	-	V/μs

■ Note:

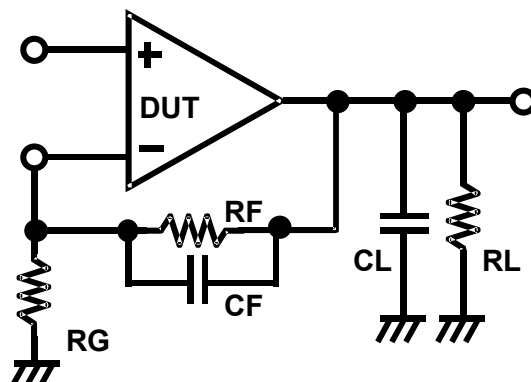
non-inverting amplifier

1. The closed gain should be 6dB or higher to prevent the oscillation.  
Unity gain follower application may cause the oscillation.
2. When the closed gain is lower than 20dB, use a compensation capacitor (CF: about 5pF), parallel with the feedback resistor RF to avoid oscillation.
3. Recommended feedback resistor is less than 2k-ohm to keep the flatness of the frequency response.
4. Minimize the load capacitor for the better performance.  
A large load capacitor CL reduces the frequency response and causes oscillation or ringing.

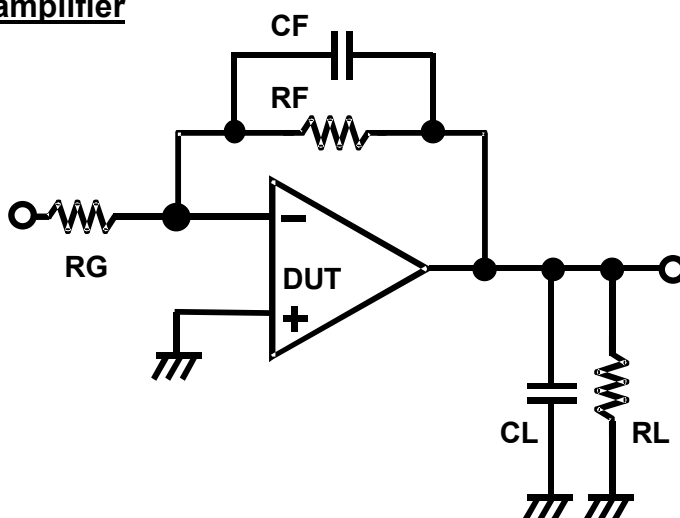
inverting amplifier

1. When the closed gain is lower than 20dB, use a compensation capacitor (CF; recommended from 1pF to 5pF), parallel with the feedback resistor RF to avoid oscillation.
  2. Minimize the feedback resistor to keep the frequency response and the slew rate.  
(recommended about 1k-ohm)
- The proper compensation capacitor CF can counteract oscillation even with a large feedback resistor RF.
3. Total load capacitance should be not more than 100pF.  
The oscillation margin may be affected by the total load capacitance.

**non-inverting amplifier**

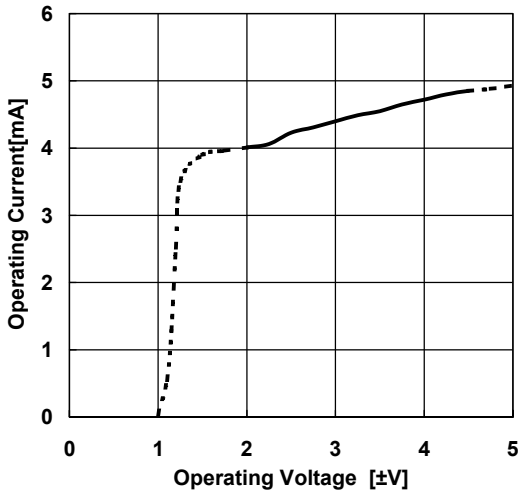


**inverting amplifier**

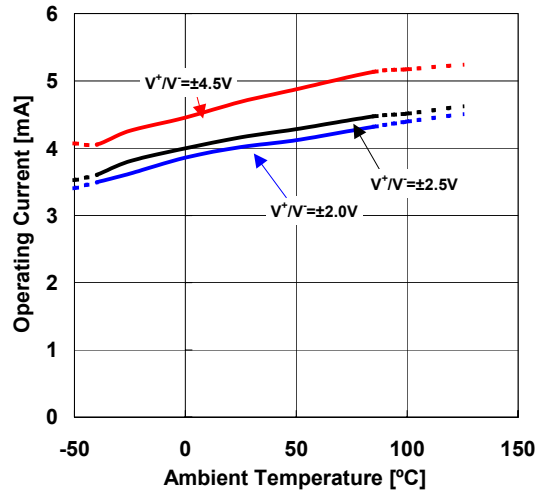


## ■ TYPICAL CHARACTERISTICS

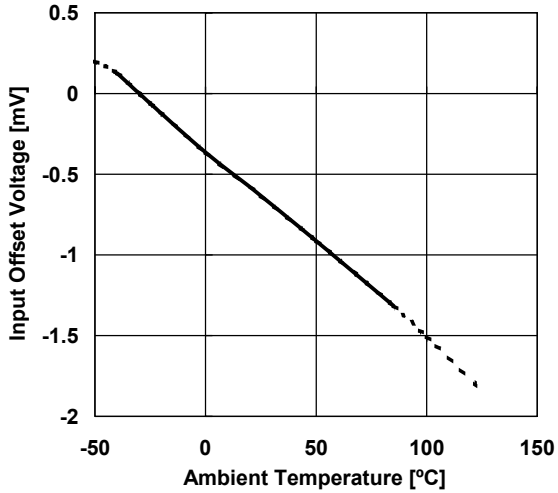
Operating Current vs. Operating Voltage  
 $V_{IN}=0V, T_a=25^\circ C$



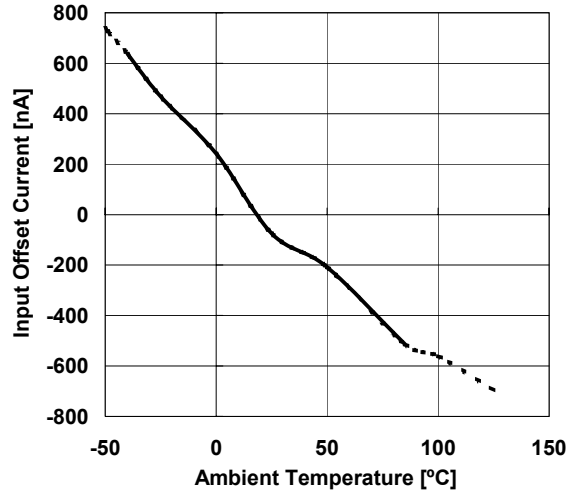
Operating Current vs. Temperature  
 $V_{IN}=0V$



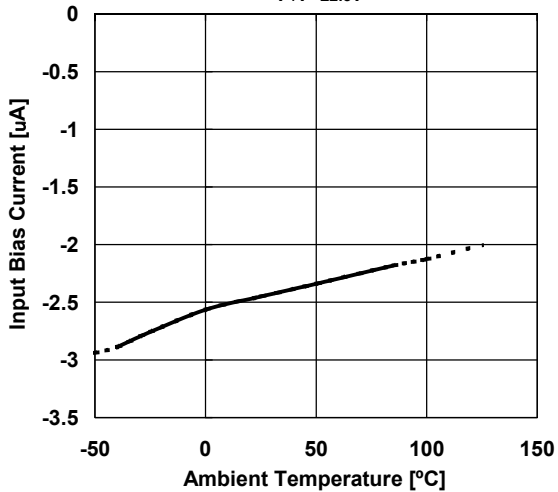
Input Offset Voltage vs. Temperature  
 $V^+ / V^- = \pm 2.5V$



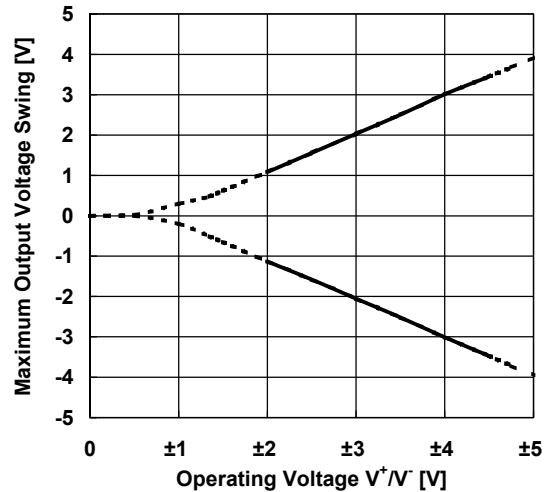
Input Offset Current vs. Temperature  
 $V^+ / V^- = \pm 2.5V$



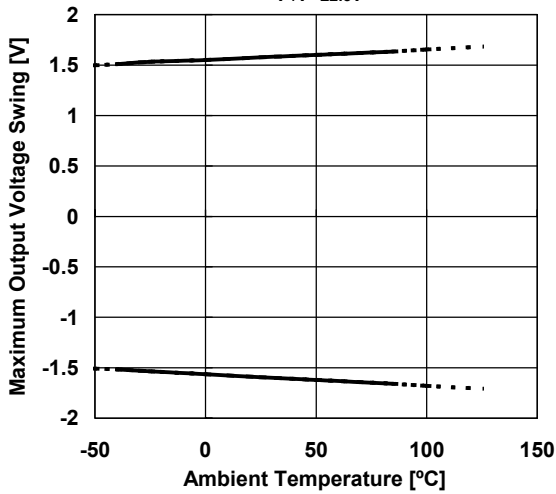
Input Bias Current vs. Temperature  
 $V^+ / V^- = \pm 2.5V$



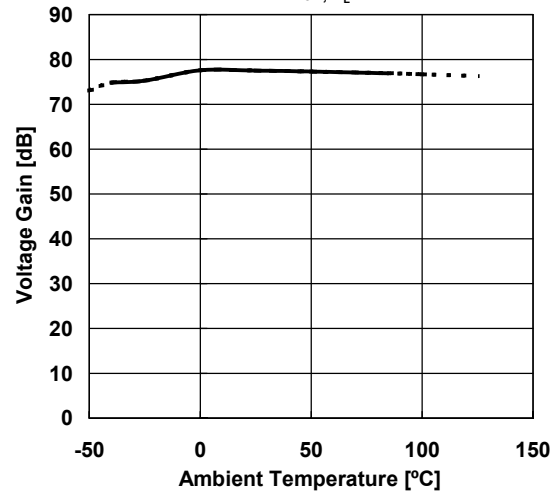
Maximum Output Voltage Swing  
 vs. Operating Voltage  
 $V_{IN}=\pm 300mV, R_L=1k\Omega, T_a=25^\circ C$



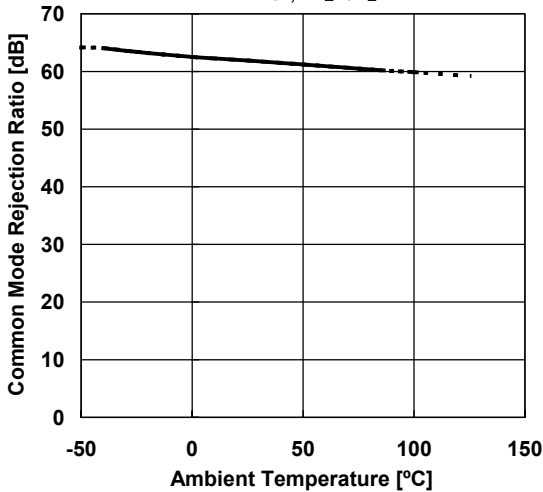
Maximum Output Voltage Swing vs. Temperature  
 $V^+V^-=\pm 2.5V$



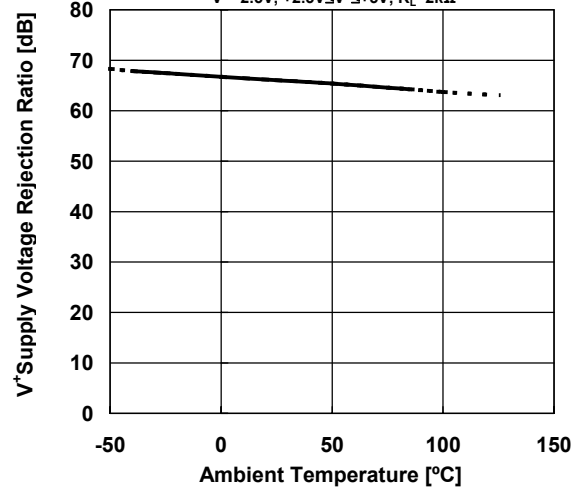
Voltage Gain vs. Temperature  
 $V^+V^-=\pm 2.5V, R_L=2k\Omega$



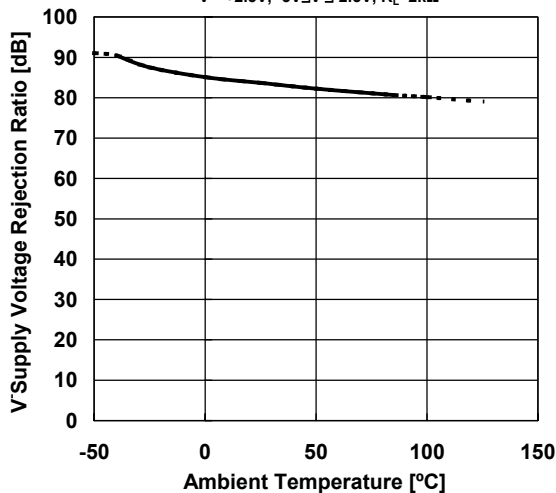
Common Mode Rejection Ratio vs. Temperature  
 $V^+V^-=\pm 2.5V, -1V \leq V_{cm} \leq +1V$

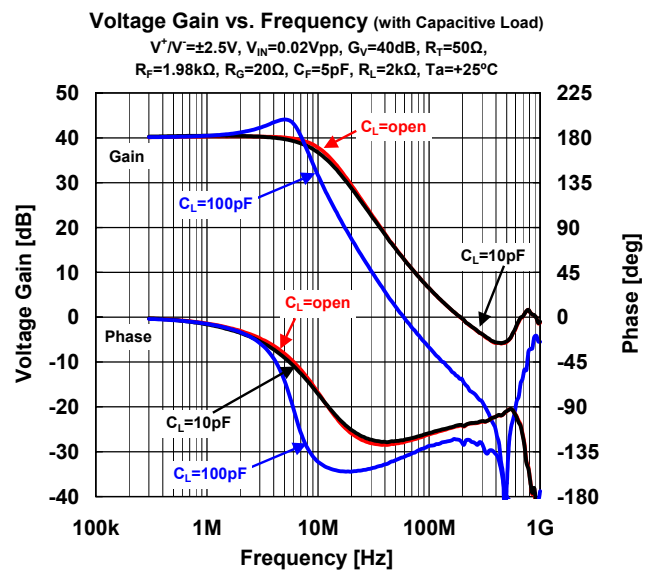
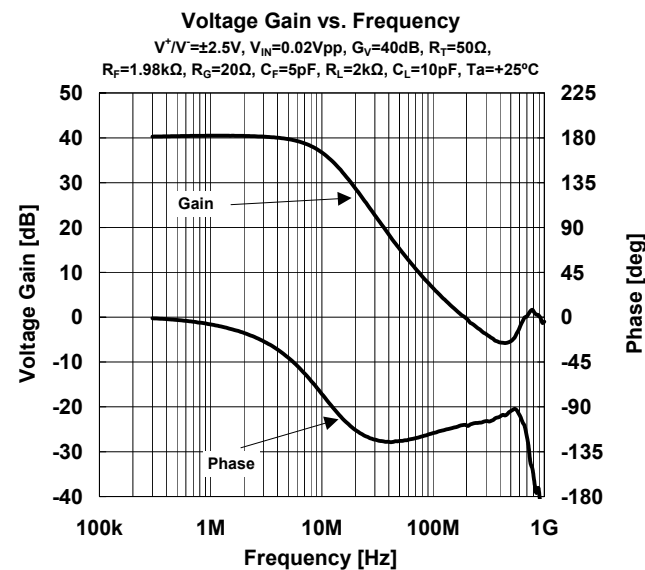
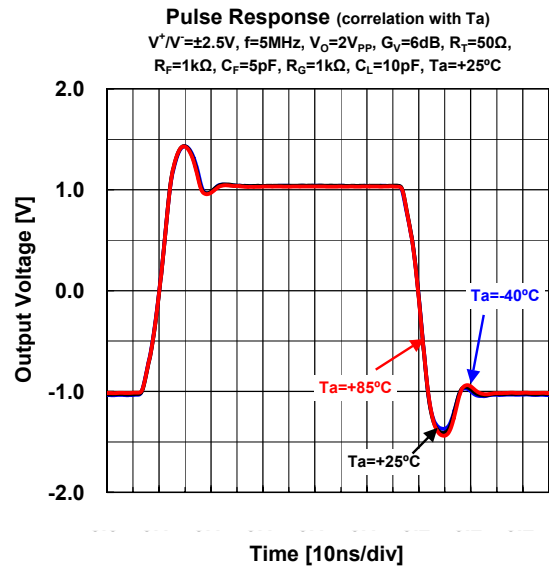
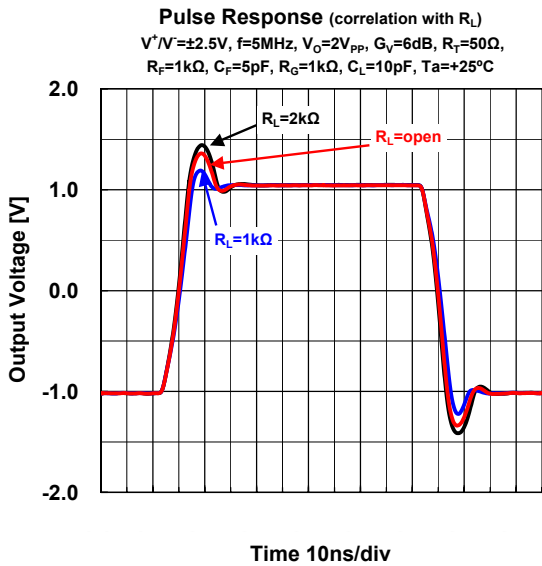
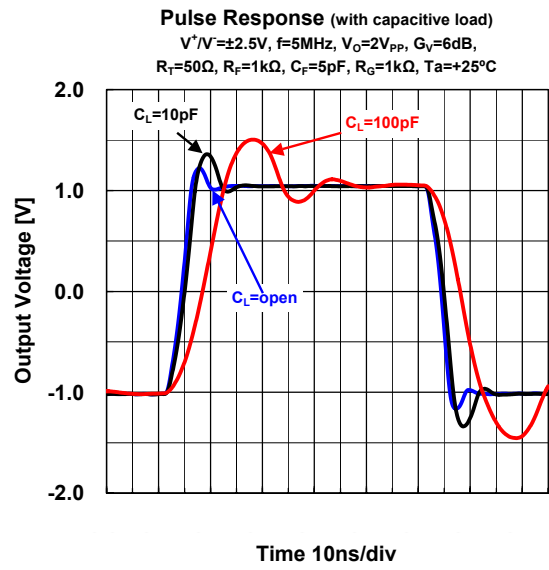
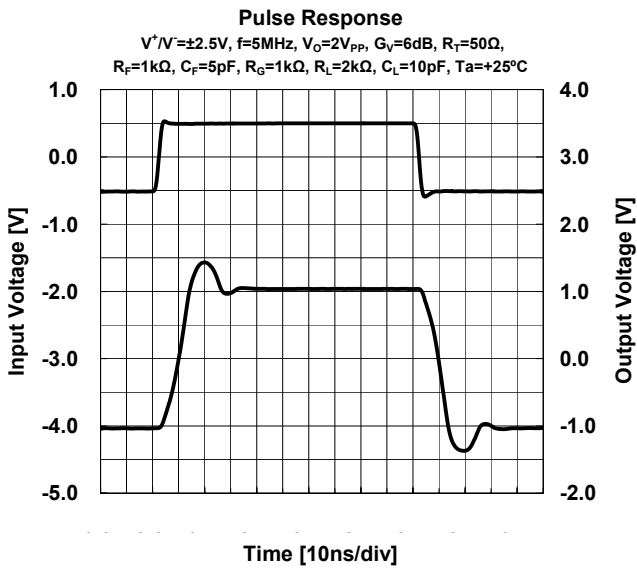


$V^+$  Supply Voltage Rejection Ratio vs. Temperature  
 $V^- = -2.5V, +2.5V \leq V^+ \leq +5V, R_L = 2k\Omega$



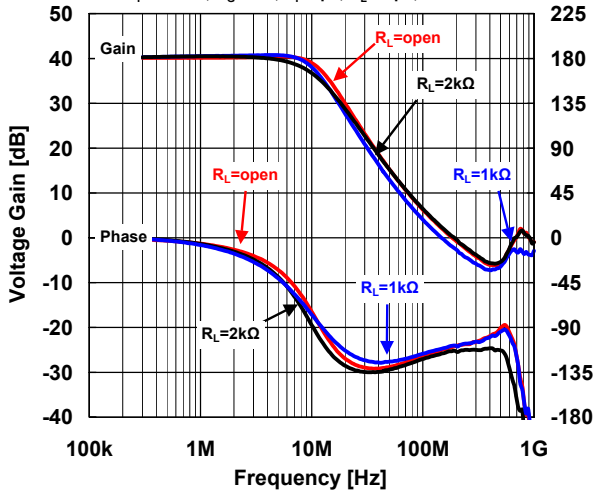
$V^-$  Supply Voltage Rejection Ratio vs. Temperature  
 $V^+ = +2.5V, -5V \leq V^- \leq -2.5V, R_L = 2k\Omega$





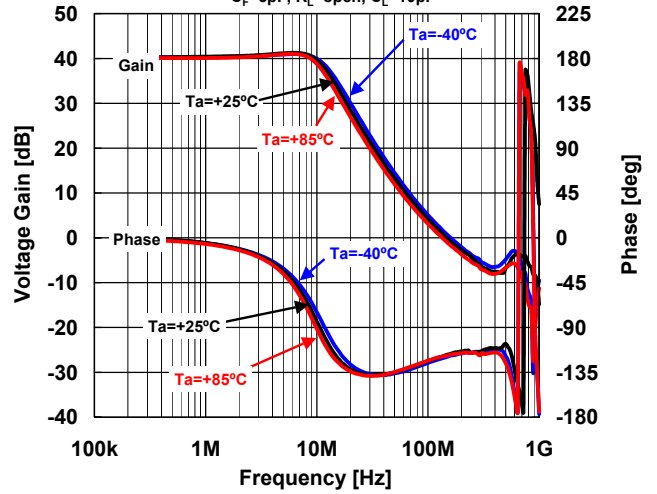
**Voltage Gain vs. Frequency**  
(correlation with  $R_L$ )

$V^+ / V^- = \pm 2.5V$ ,  $V_{IN} = 0.02V_{pp}$ ,  $G_V = 40dB$ ,  $R_T = 50\Omega$ ,  
 $R_F = 1.98k\Omega$ ,  $R_G = 20\Omega$ ,  $C_F = 5pF$ ,  $C_L = 10pF$ ,  $T_a = +25^\circ C$



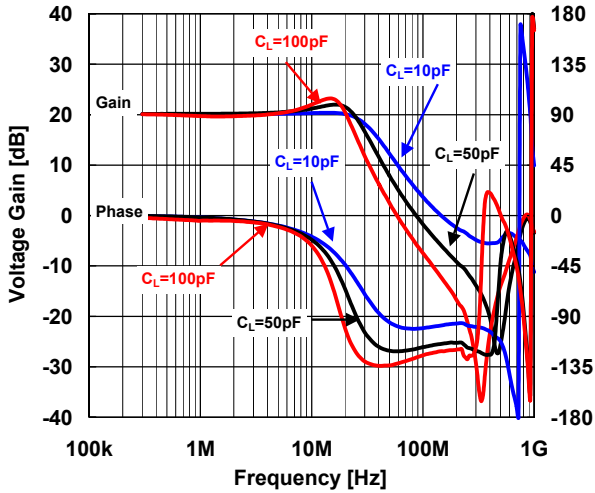
**Voltage Gain vs. Frequency**  
(correlation with  $T_a$ )

$V^+ / V^- = \pm 2.5V$ ,  $V_{IN} = 0.02V_{pp}$ ,  $G_V = 40dB$ ,  $R_T = 50\Omega$ ,  $R_F = 1.98k\Omega$ ,  $R_G = 20\Omega$ ,  
 $C_F = 5pF$ ,  $R_L = open$ ,  $C_L = 10pF$



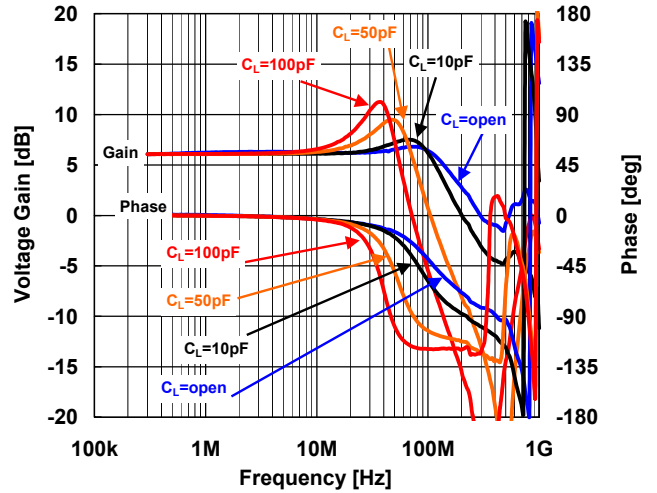
**Voltage Gain vs. Frequency**  
(with Capacitive Load)

$V^+ / V^- = \pm 2.5V$ ,  $V_{IN} = 0.02V_{pp}$ ,  $G_V = 20dB$ ,  $R_T = 50\Omega$ ,  
 $R_F = 1k\Omega$ ,  $C_F = 5pF$ ,  $R_G = 110\Omega$ ,  $R_L = open$ ,  $T_a = +25^\circ C$

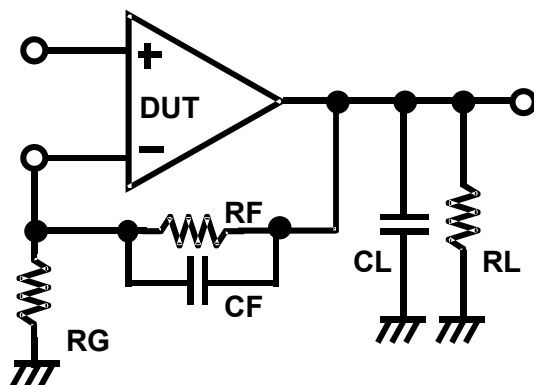


**Voltage Gain vs. Frequency (with Capacitive Load)**

$V^+ / V^- = \pm 2.5V$ ,  $V_{IN} = 0.02V_{pp}$ ,  $G_V = 6dB$ ,  $R_T = 50\Omega$ ,  
 $R_F = 1k\Omega$ ,  $C_F = 5pF$ ,  $R_G = 1k\Omega$ ,  $R_L = open$ ,  $T_a = +25^\circ C$



## ■ MEASUREMENT CIRCUIT



[CAUTION]  
The specifications on this databook are only given for information, without any guarantee as regards either mistakes or omissions. The application circuits in this databook are described only to show representative usages of the product and not intended for the guarantee or permission of any right including the industrial rights.