

NJM2392

■ABSOLUTE MAXIMUM RATINGS (Ta=25°C)

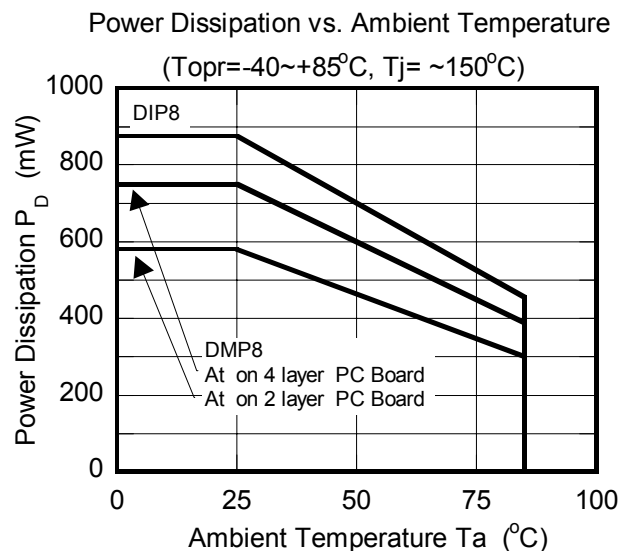
PARAMETER	SYMBOL	MAXIMUM RATINGS	UNIT
Maximum Supply Voltage	V ⁺	40	V
Comparator Input Voltage	V _{IR}	-0.3 ~ 40 (note)	V
Output Driver Voltage	V _{C(driver)}	40	V
Output Switch Voltage	V _{SW}	40	V
Output Driver Current	I _{C(driver)}	100	mA
Output Switch Current	I _{SW}	1.5	A
Power Dissipation	P _D	DIP8 875 DMP8 580 (*1) 750 (*2)	mW
Operating Temperature Range	Topr	-40 ~ +85	°C
Storage Temperature Range	Tstg	-50 ~ +150	°C

(note) When supply voltage is less than 40V, the absolute maximum input voltage is equal to the supply voltage.

(*1) At on PC board : 114.3mm × 76.2mm × 1.6mm(2 layer FR-4) : Conform to EIA/JEDEC

(*2) At on PC board :114.3mm × 76.2mm × 1.6mm(4 layer FR-4) : Conform to EIA/JEDEC

■POWER DISSIPATION vs. AMBIENT TEMPERATURE



■ ELECTRICAL CHARACTERISTICS

DC Characteristics ($V^+=5V$, $T_a=25^\circ C$)

PARAMETER	SYMBOL	TEST CONDITIONS	MIN.	TYP.	MAX.	UNIT
-----------	--------	-----------------	------	------	------	------

OSCILLATOR BLOCK

Oscillation Frequency	f_{OSC}	$I_N=0V$, $C_T=1nF$	18	27	36	kHz
Charge Current	I_{chg}		11	18	27	μA
Discharge Current	I_{dis}		110	180	300	μA
Voltage Swing	V_{OSC}	$C_T=1nF$	–	0.5	–	V_{P-P}
Discharge to Charge Current Ratio	I_{ratio}	I_{chg}/I_{dis}	–	9	–	–

CURRENT LIMIT

Peak Current Sense Voltage	V_{ipk}		250	300	350	mV
----------------------------	-----------	--	-----	-----	-----	----

OUTPUT SWITCH

Saturation Voltage 1	V_{sat1}	Darlington Connection ($C_S=C_D$), $I_{SW}=0.7A$	–	1.0	1.3	V
Saturation Voltage 2	V_{sat2}	$I_{SW}=0.7A$, $I_C(\text{driver})=50mA$ (Forced $\beta \approx 14$)	–	0.5	0.7	V
Output Transistor Bias Resistance	R_{bias}		–	160	–	Ω
DC Voltage Gain	h_{FE}	$I_{SW}=0.7A$, $V_{CE}=5.0V$	35	120	–	–
Collector Off-State Current	$I_{C(Off)}$	$V_{CE}=40V$	–	0.01	1	μA

ERROR AMPLIFIER

Threshold Voltage	V_{th}		1.225	1.250	1.275	V
Input Bias Current	I_B	$I_N=0V$	–	300	900	nA

GENERAL CHARACTERISTICS

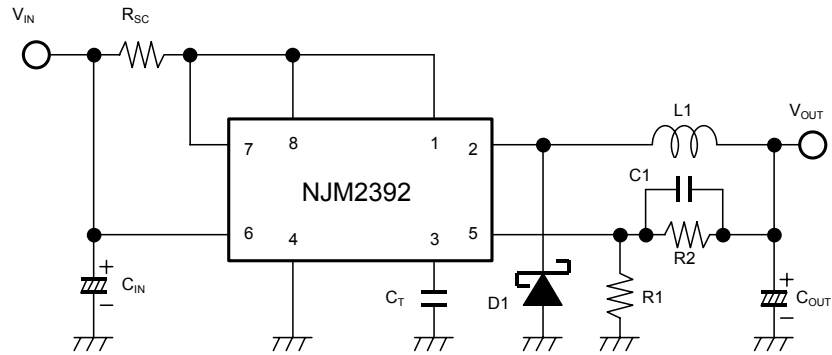
Operating Current	I_{CC}	$C_T=1nF$, $S_I=V^+$, $I_N > V_{th}$, $E_S=GND$	–	2.8	4.0	mA
-------------------	----------	--	---	-----	-----	----

(note) Output switch tests are performed under pulsed conditions to minimize power dissipation.

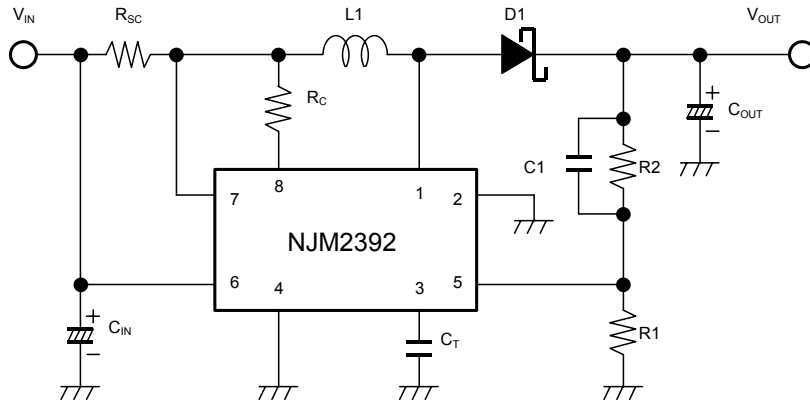
NJM2392

■ TYPICAL APPLICATIONS

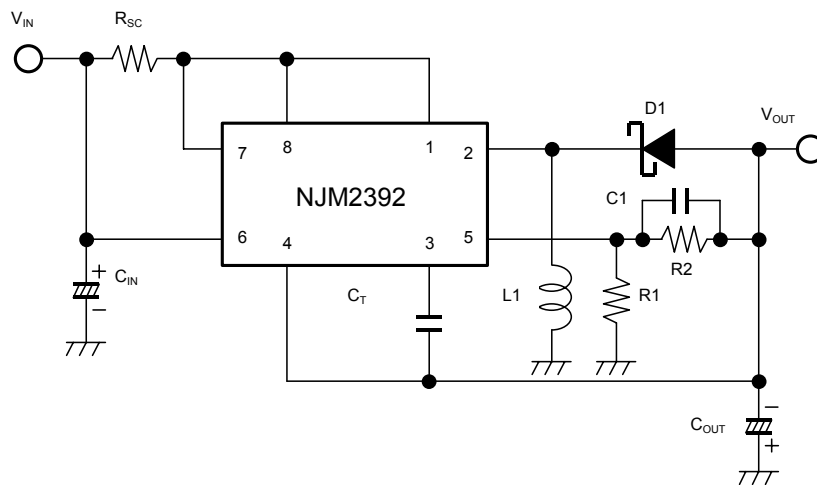
Step-Down Converter



Step-Up Converter



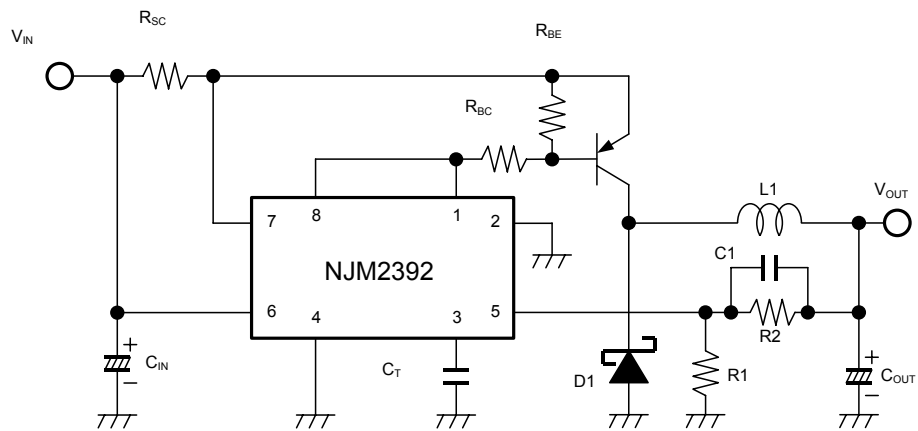
Inverting Converter



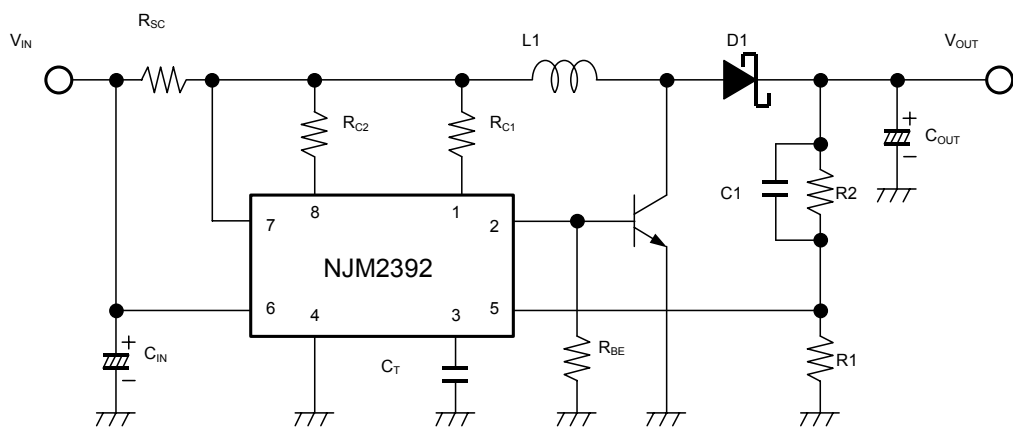
D1 use to schottky diode.

■ TYPICAL APPLICATIONS

Step-Down Converter (High Current)

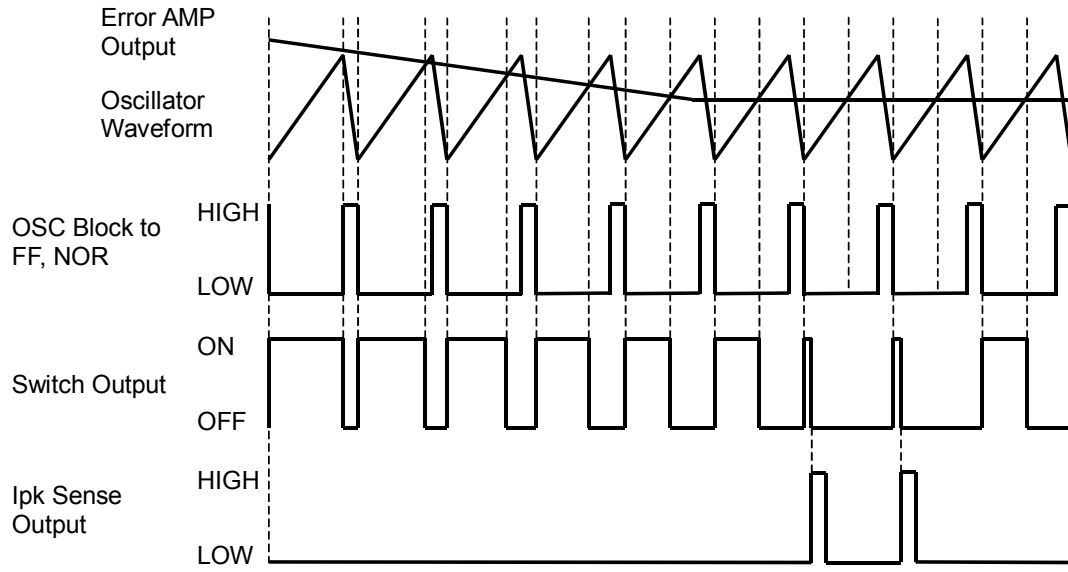


Step-Up Converter (High Current)

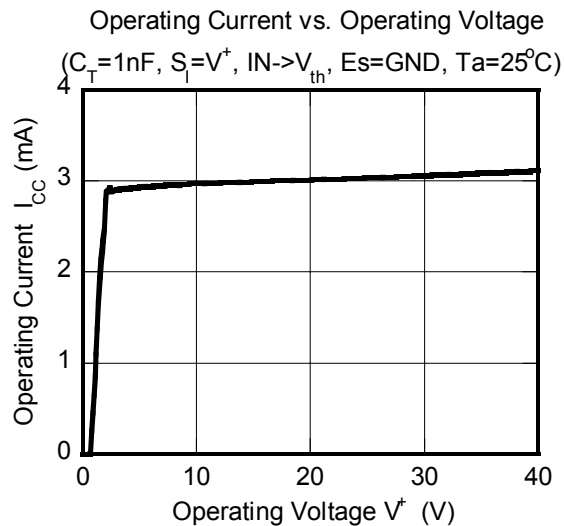
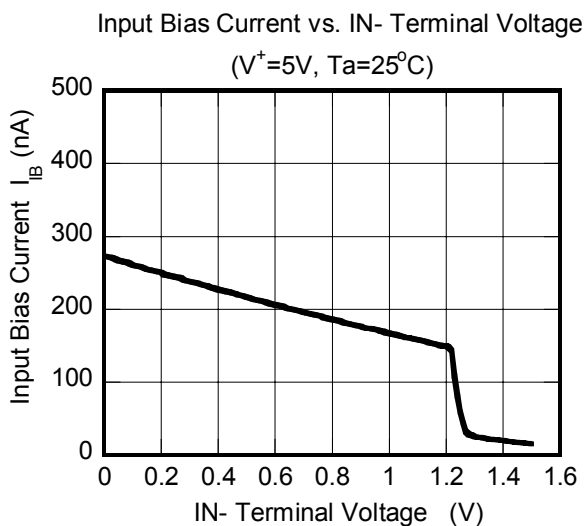
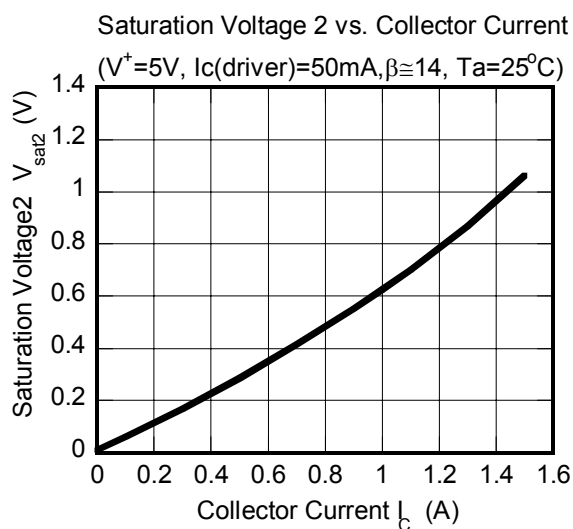
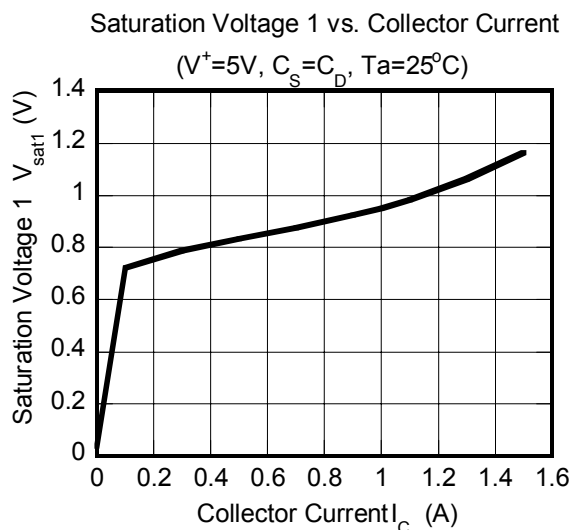
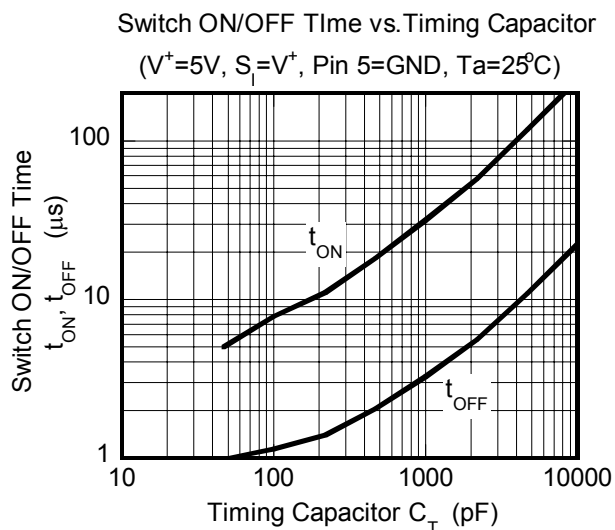
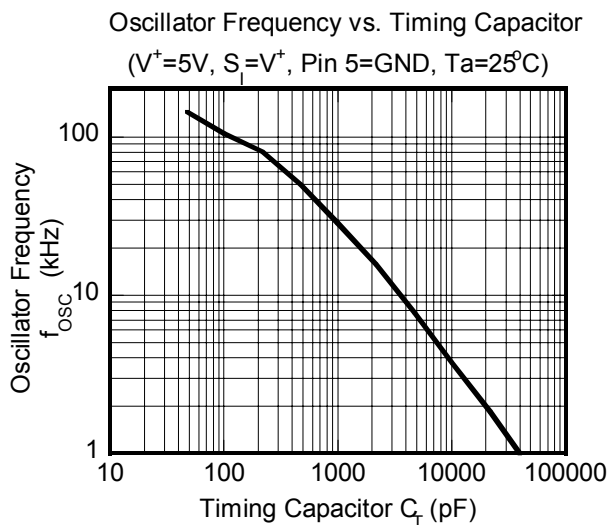


D1 use to schottky diode.

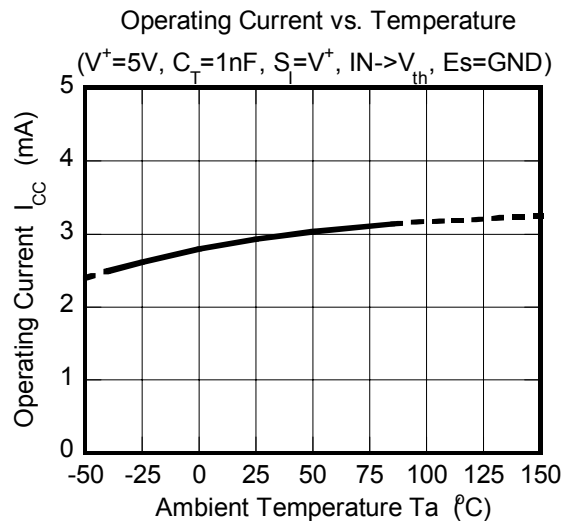
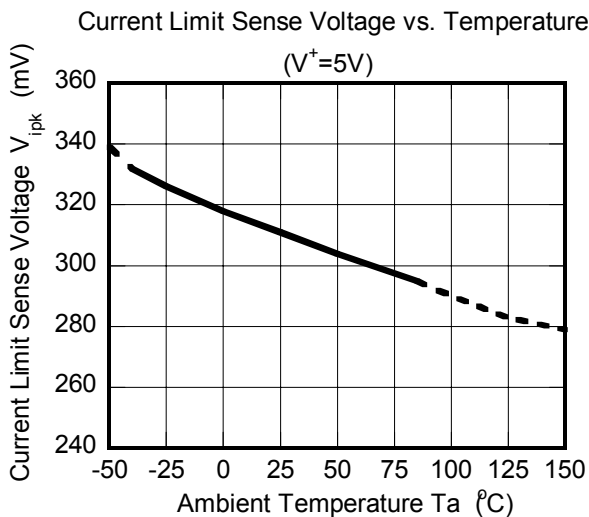
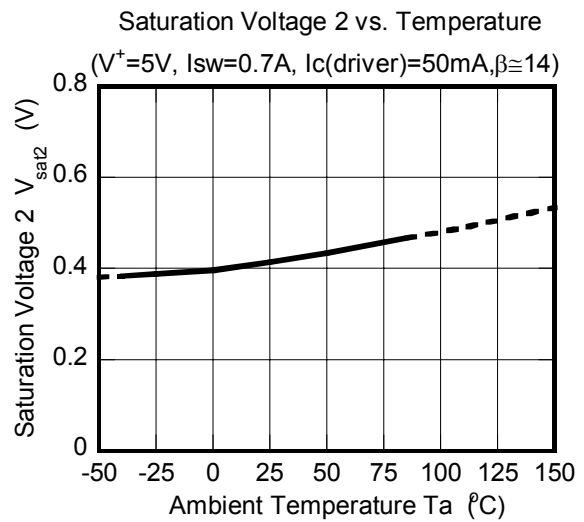
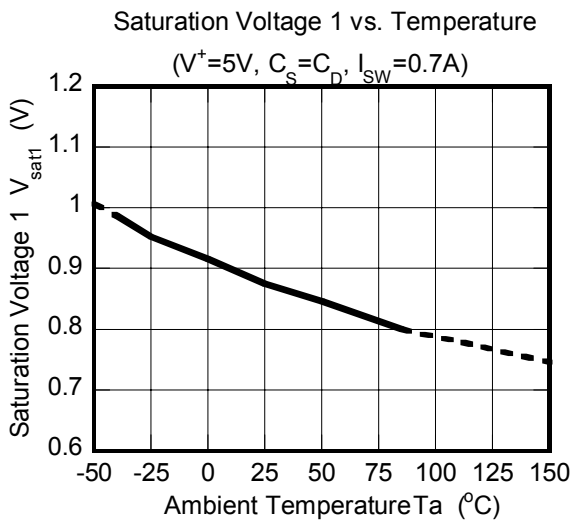
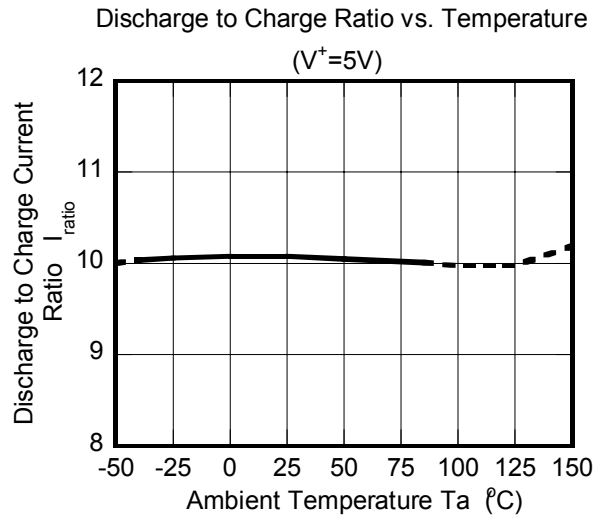
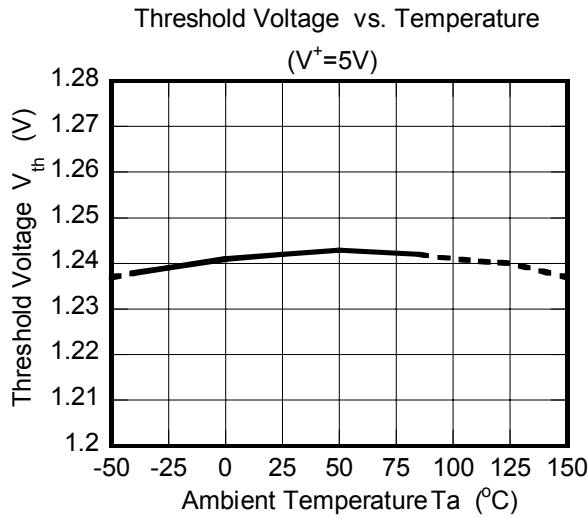
■TIMING CHART



■ TYPICAL CHARACTERISTICS



■ TYPICAL CHARACTERISTICS



MEMO

[CAUTION]

The specifications on this databook are only given for information, without any guarantee as regards either mistakes or omissions. The application circuits in this databook are described only to show representative usages of the product and not intended for the guarantee or permission of any right including the industrial rights.