

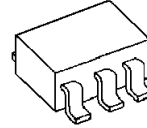
Battery Charger IC

■ GENERAL DESCRIPTION

The NJM2337 is a constant voltage and constant current control IC which contains precision voltage reference.

It is suitable for battery charger, secondary controller of switching regulator systems, and other battery systems.

■ PACKAGE OUTLINE

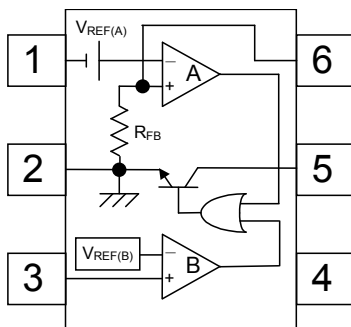


NJM2337AF1/BF1/CF1

■ FEATURES

- | | |
|----------------------------------------|-------------|
| ● Operating Voltage | 2.2V to 13V |
| ● Internal Precision Voltage Reference | 1.24V±1% |
| ● Photo Coupler (PC) Drive Current | 20mA max. |
| ● Operating Current | 280µA max. |
| ● Bipolar Technology | |
| ● Package Outline | SOT-23-6-1 |

■ PIN CONFIGURATION



Pin Function

1. A -INPUT
2. GND
3. B +INPUT
4. V⁺
5. PC
6. A +INPUT

NJM2337

■ ABSOLUTE MAXIMUM RATINGS (Ta=25°C)

PARAMETER	SYMBOL	MAXIMUM RATINGS	UNIT
Supply Voltage	V ⁺	+14	V
Differential Input Voltage	V _{ID}	(Ach) 14 (Bch) 14	V
Power Dissipation	P _D	200	mW
PC Terminal Current	I _{PC}	20	mA
Operating Temperature Range	Topr	-40 to +85	°C
Storage Temperature Range	Tstg	-50 to +150	°C

■ RECOMMENDED OPERATING CONDITIONS (Ta=25°C)

PARAMETER	SYMBOL	OPERATING CONDITIONS	UNIT
Operating Voltage	Vopr	2.2 to 13	V

■ ELECTRICAL CHARACTERISTICS (V⁺=5V, Ta=25°C)

PARAMETER	SYMBOL	TEST CONDITION	MIN.	TYP.	MAX.	UNIT
Operating Current	I _{CC}	I _{PC} =off	–	200	280	μA
Leakage Current	I _{PCLEAK}	V ⁺ =V _{PC} =13V	–	–	1	μA
Saturation Voltage	V _{PC(SAT)}	I _{PC} =20mA	–	0.1	0.3	V
Feedback Resistance	R _{FB}		0.7	1.0	1.3	kΩ

[A ch]

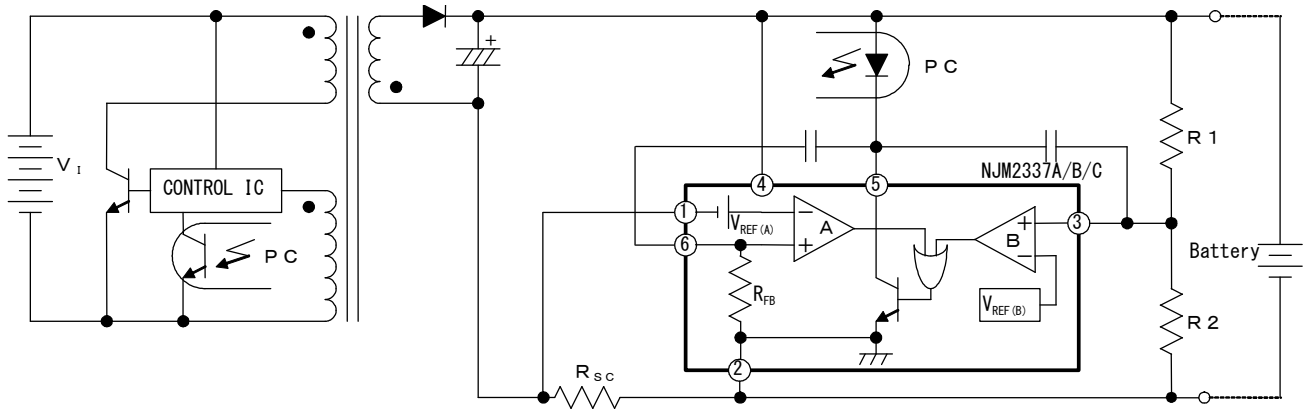
PARAMETER	SYMBOL	TEST CONDITION	MIN.	TYP.	MAX.	UNIT
Reference Voltage	V _{REF(A)}	A version	69	72	75	mV
		B version	105	109	113	mV
		C version	145	151	157	mV
Input Bias Current	I _B		–	40	160	nA
Large Signal Voltage Gain	A _V		–	80	–	dB
Input Common Mode Voltage Range	V _{ICM}		–	-0.2 to 3.0	–	V
Common Mode Rejection Ratio	CMR		–	70	–	dB
Supply Voltage Rejection Ratio	SVR		–	80	–	dB
Slew Rate	SR		–	0.5	–	V/μs
Gain Bandwidth Product	GB	f=10kHz	–	1	–	MHz

[B ch]

PARAMETER	SYMBOL	TEST CONDITION	MIN.	TYP.	MAX.	UNIT
Reference Voltage	V _{REF(B)}		1227	1240	1253	mV
Input Bias Current	I _B		–	20	80	nA
Large Signal Voltage Gain	A _V		–	80	–	dB
Input Common Mode Voltage Range	V _{ICM}		–	0.5 to 4.0	–	V
Common Mode Rejection Ratio	CMR		–	80	–	dB
Supply Voltage Rejection Ratio	SVR		–	80	–	dB
Slew Rate	SR		–	0.5	–	V/μs
Gain Bandwidth Product	GB	f=10kHz	–	1	–	MHz

■ TYPICAL APPLICATIONS

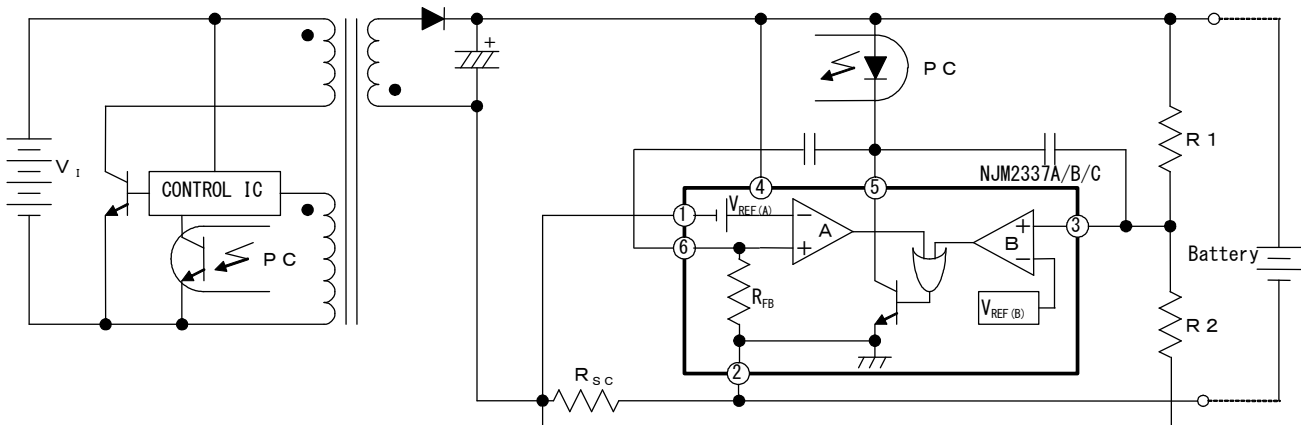
Application Circuit 1



$$\text{OUTPUT} = V_{\text{REF(B)}} \times \frac{R1+R2}{R2} \text{ [V]}$$

$$\text{CURRENT LIMIT} = \frac{V_{\text{REF(A)}}}{R_{\text{SC}}} \text{ [A]}$$

Application Circuit 2



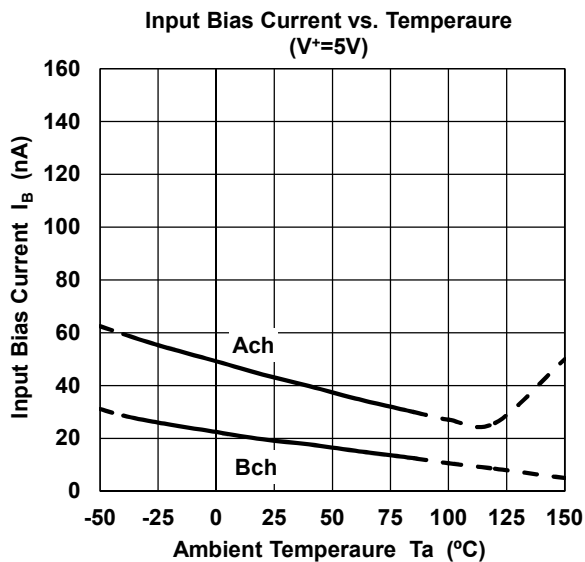
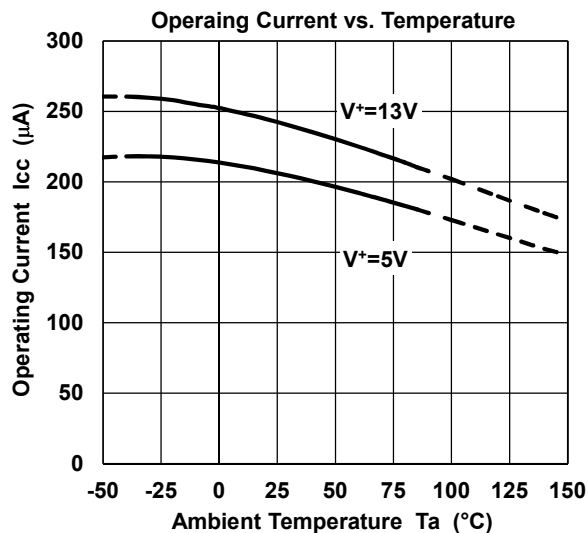
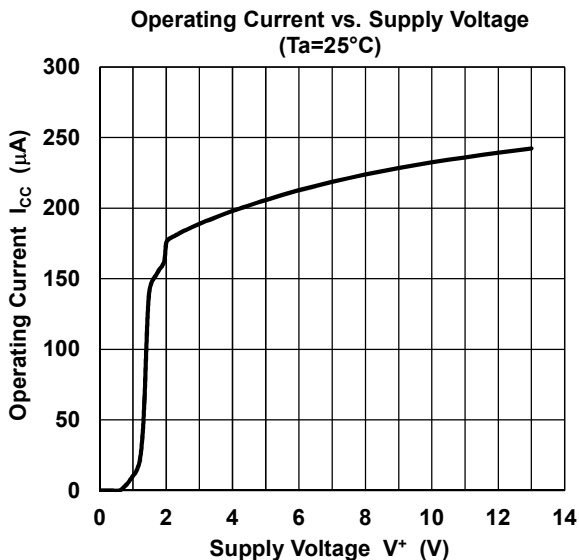
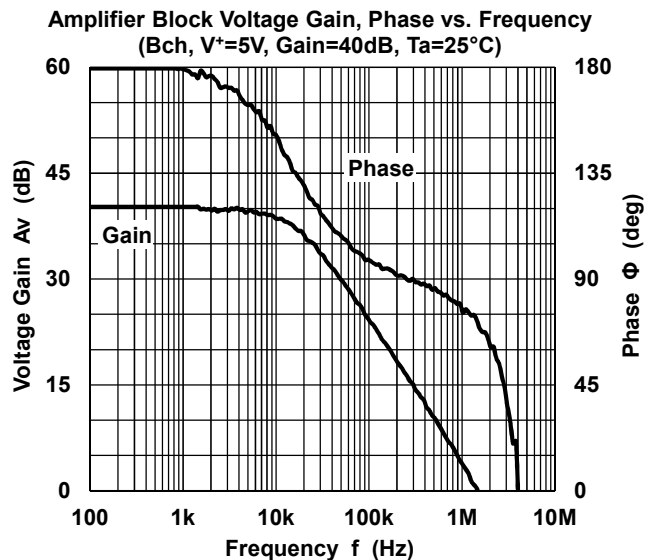
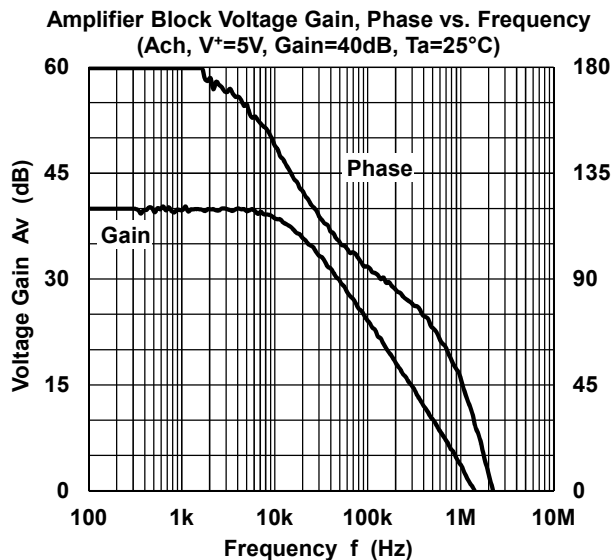
$$\text{OUTPUT} = \{V_{\text{REF(B)}} + (I_L \times R_{\text{SC}})\} \times \frac{R1+R2}{R2} - (I_L \times R_{\text{SC}}) \text{ [V]}$$

$$\text{CURRENT LIMIT} = \frac{V_{\text{REF(A)}}}{R_{\text{SC}}} \text{ [A]}$$

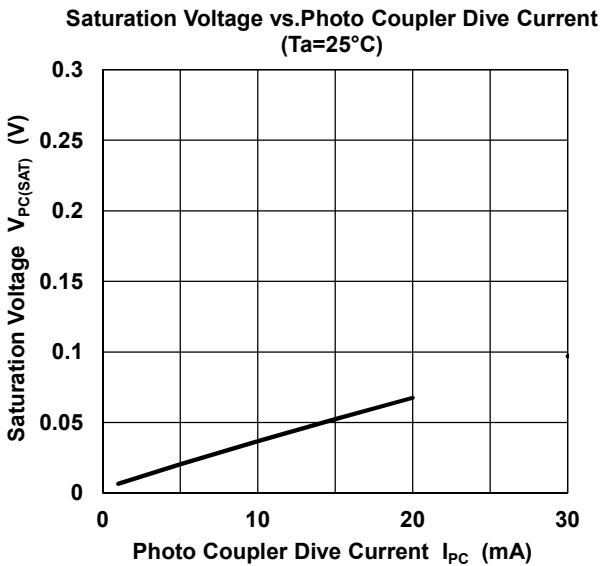
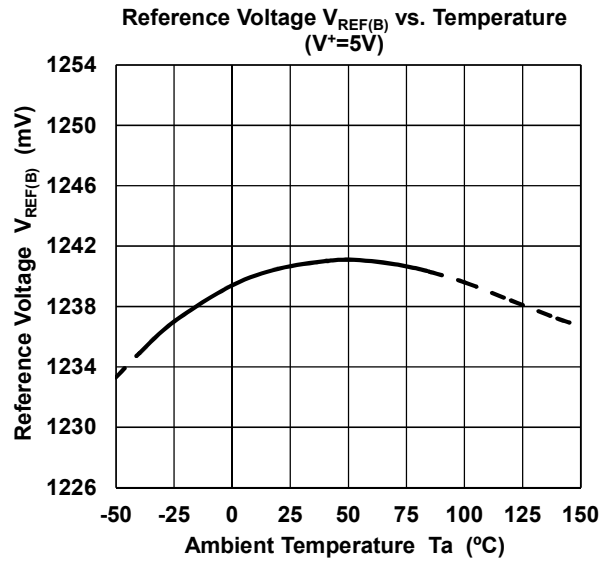
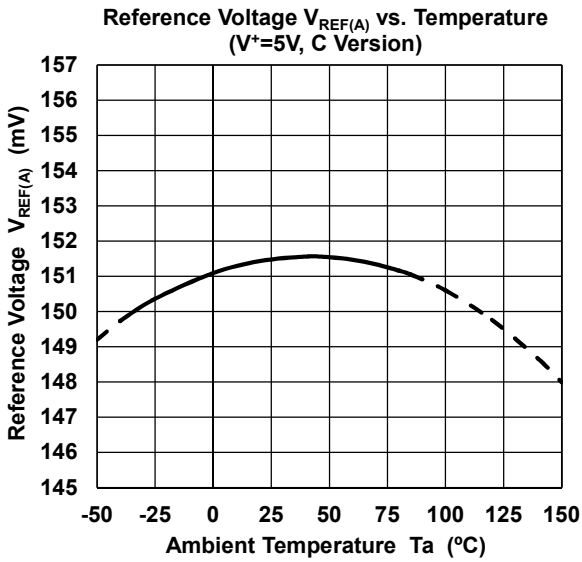
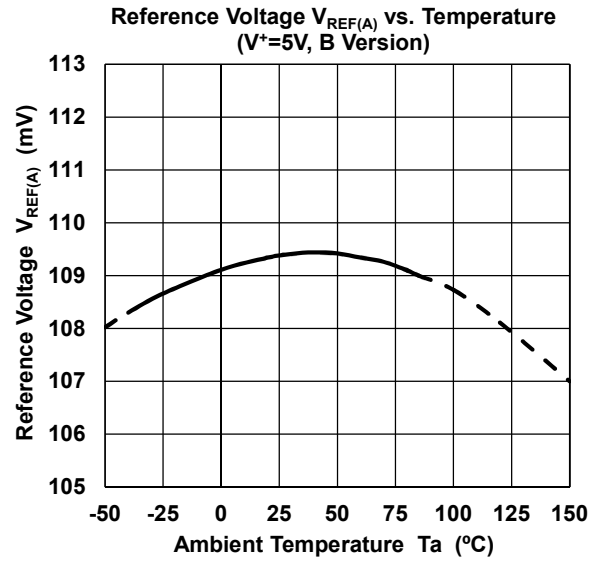
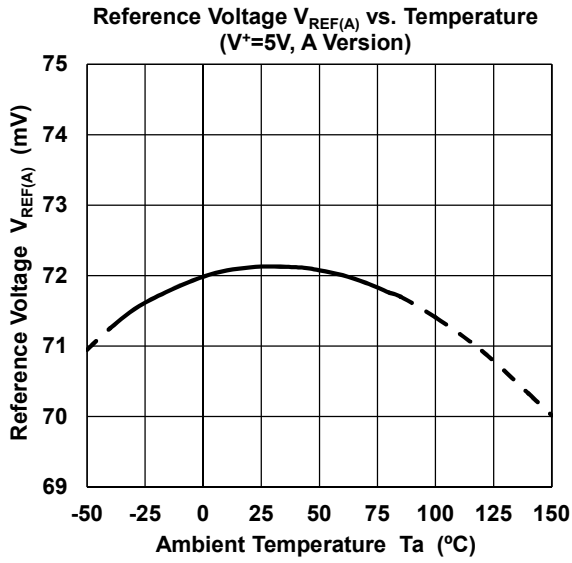
The A-INPUT pin voltage will be the negative voltage for application circuit 1 and 2.

The underside common mode input voltage range ($V_{\text{ICM-}}$) of the Ach amplifier tends to be increased by high temperature operates. It may deviate from $V_{\text{ICM-}}$ depending on a reference voltage version.

■ TYPICAL CHARACTERISTICS

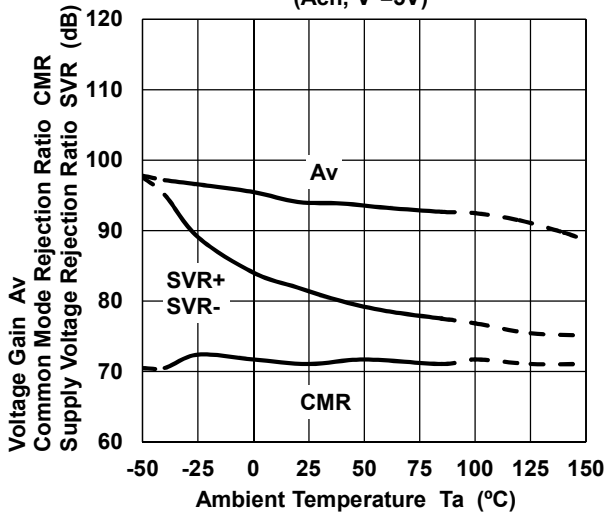


■ TYPICAL CHARACTERISTICS

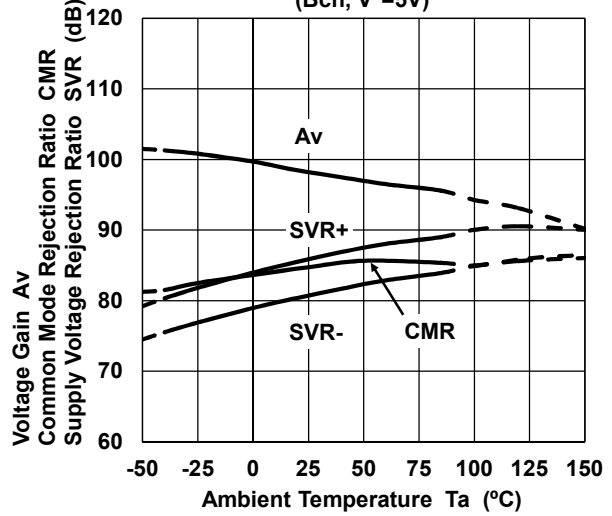


■ TYPICAL CHARACTERISTICS

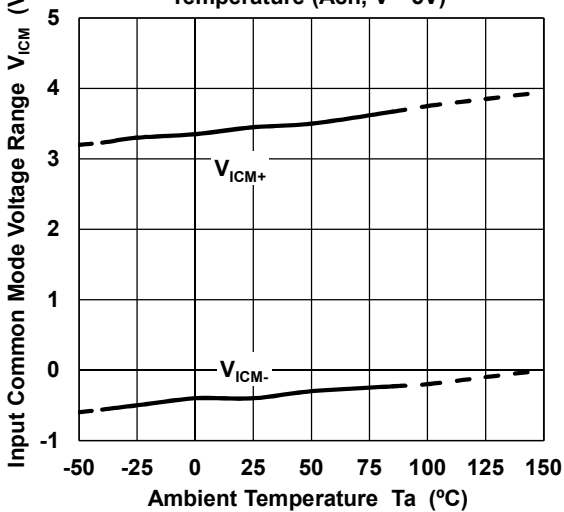
AMP Characteristics vs. Temperature
(Ach, $V^+=5V$)



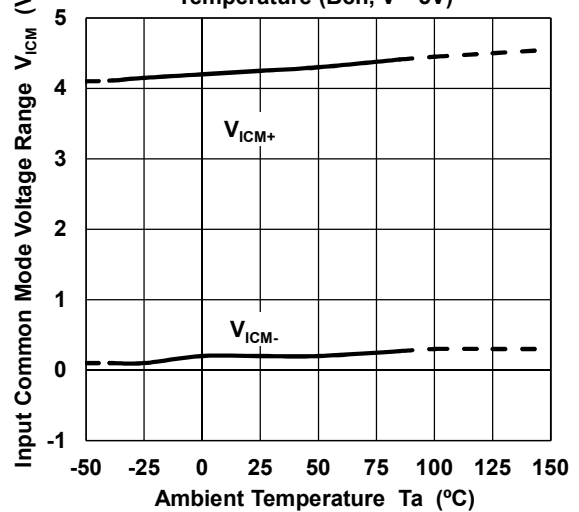
AMP Characteristics vs. Temperature
(Bch, $V^+=5V$)



Input Common Mode Voltage Range vs. Temperature
(Ach, $V^+=5V$)



Input Common Mode Voltage Range vs. Temperature
(Bch, $V^+=5V$)



[CAUTION]
The specifications on this databook are only given for information, without any guarantee as regards either mistakes or omissions. The application circuits in this databook are described only to show representative usages of the product and not intended for the guarantee or permission of any right including the industrial rights.