

NJM2102

■ ABSOLUTE MAXIMUM RATINGS

(T_a=25°C)

PARAMETER	SYMBOL	RATINGS	UNIT
Supply Voltage	V ⁺	20.0	V
Input Voltage	V _S	V ⁺ +0.3 (<20.0)	V
Input Voltage	V _{CK}	20.0	V
Power Dissipation	P _D	(DIP8) 500 (DMP8) 300 (SIP8) 800	mW
Operating Temperature Range	T _{opr}	-40 to +85	°C
Storage Temperature Range	T _{stg}	-40 to +125	°C

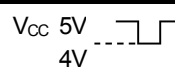
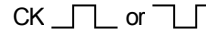
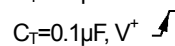
■ ELECTRICAL CHARACTERISTICS

(V⁺=5V, T_a=25°C)

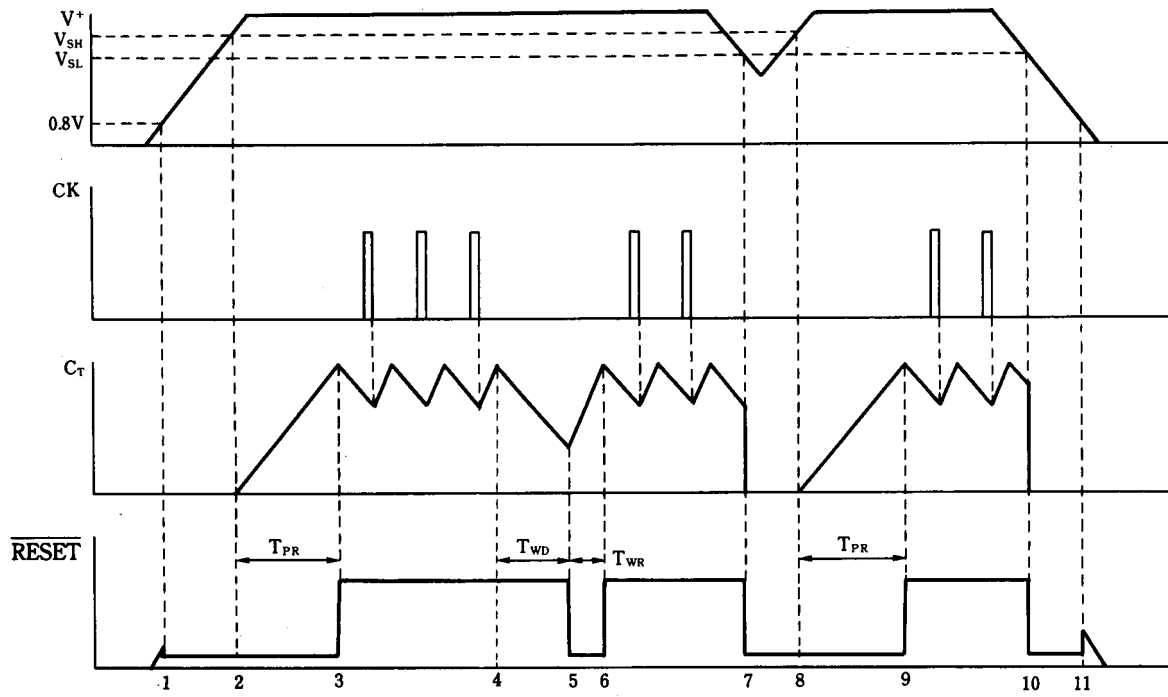
PARAMETER	SYMBOL	CONDITION	MIN.	TYP.	MAX.	UNIT
Supply Current	I _{CC}	Watch Dog Timer Operating	-	0.65	1.00	mA
Detection Voltage 1	V _{SL}	Falling Down Supply Voltage	4.10	4.20	4.30	V
Detection Voltage 2	V _{SH}	Rising Up Supply Voltage	4.20	4.30	4.40	V
Hysteresis Width	V _{HYS}	V _{HYS} = V _{SL} - V _{SH}	50	100	150	mV
Reference Voltage	V _{REF}		1.217	1.235	1.253	V
Supply Voltage Regulation	ΔV _{REF1}	V ⁺ = 3.5V to 18V	-10	+3	+10	mV
Reference Voltage Load Regulation	ΔV _{REF2}	I _{OUT} = -200μA to +5μA	-5	-	+5	mV
CK Input Threshold Voltage	V _{TH}		0.70	1.24	1.90	V
CK Input Current 1	I _{IH}	V _{CK} = 5.0V	-	0	1.0	μA
CK Input Current 2	I _{IL}	V _{CK} = 0.0V	-1.0	-0.1	-	μA
C _T Charge Current 1	I _{CTC1}	V _{CT} = 1.0V Watch Dog Timer Operating	20	50	110	μA
C _T Charge Current 2	I _{CTC2}	V _{CT} = 0.0V Power ON Reset Operating	0.6	1.4	3.0	μA
C _T Discharge Current 1	I _{CTD1}	V _{CT} = 1.0V Watch Dog Timer Operating	6	9	13	μA
C _T Discharge Current 2	I _{CTD2}	V _{CT} = 0.0V Power ON Reset Operating	100	600	-	μA
High Level Output Voltage 1	V _{OH1}	V _S =Open. I _{RESET} = -5μA	4.5	4.9	-	V
High Level Output Voltage 2	V _{OH2}	V _S =0V, I _{RESET} = -5mA	4.5	4.9	-	V
Output Saturation Voltage 1	V _{OL1}	V _S =0V, I _{RESET} = 3mA	-	0.2	0.4	V
Output Saturation Voltage 2	V _{OL2}	V _S =0V, I _{RESET} = 10mA	-	0.3	0.5	V
Output Saturation Voltage 3	V _{OL3}	V _S =Open. I _{RESET} =3mA	-	0.2	0.4	V
Output Saturation Voltage 4	V _{OL4}	V _S =Open. I _{RESET} =10mA	-	0.3	0.5	V
Output Sink Current 1	I _{OL1}	V _S =0V, V _{RESET} = 1.0V	20	70	-	mA
Output Sink Current 2	I _{OL2}	V _S =Open. V _{RESET} = 1.0V	20	70	-	mA
RESET Minimum Supply Voltage 1	V _{CCL1}	V _{RESET} = 0.4V, I _{RESET} = 0.2mA	-	0.8	1.2	V
RESET Minimum Supply Voltage 2	V _{CCL2}	V _{RESET} = V ⁺ -0.1V, R _L (2Pin-GND)=1MΩ	-	0.8	1.2	V

AC CHARACTERISTICS

(V⁺=5V, T_a=25°C)

PARAMETER	SYMBOL	CONDITION	MIN.	TYP.	MAX.	UNIT
V ⁺ Input Pulse Width	T _{PI}	V _{CC} 5V  4V	-	10	-	μS
CK Input Pulse Width	T _{CKW}	CK 	-	1.8	-	μS
CK Input Frequency	T _{CK}		-	12	-	μS
Watch Dog Timer Watching Time	T _{WD}	C _T =0.1μF	-	10	-	mS
Watch Dog Timer Reset Time	T _{WR}	C _T =0.1μF	-	2	-	mS
Reset Signal Hold Time	T _{PR}	C _T =0.1μF, V ⁺ 	-	100	-	mS
Propagation Delay from V ⁺	T _{PD1}	RESET Pin, R _L =2.2kΩ, C _L =100pF	-	2	-	μS
Propagation Delay from V ⁺	T _{PD2}	RESET Pin R _L =2.2kΩ, C _L =100pF	-	3	-	μS
Output Rise Time	t _r	R _L =2.2kΩ, C _L =100pF	-	1.0	-	μS
Output Fall Time	t _f	R _L =2.2kΩ, C _L =100pF	-	0.1	-	μS

■ TIMING CHART



NJM2102

■ TERMINAL FUNCTION

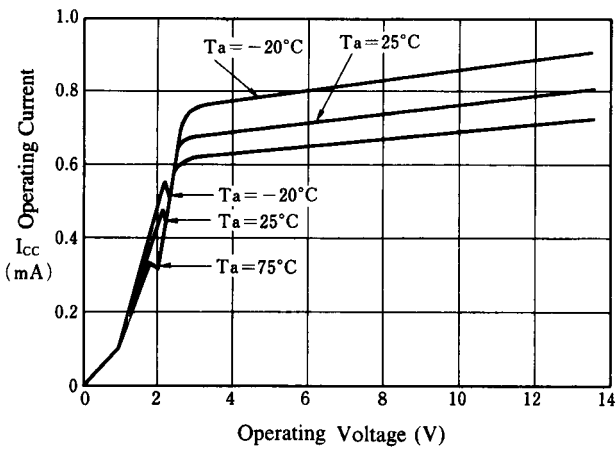
PIN. NO	SYMBOL	FUNCTION	INSIDE EQUIVALENT CIRCUIT
1	C_T	Pin Connection to Capacitor, Set the reset holding time	
2	RESET	Reset Output	
3	CK	Clock Input	

■ TERMINAL FUNCTION

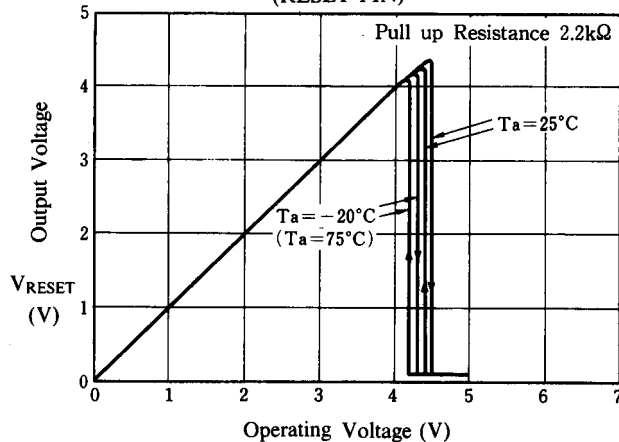
PIN. NO	SYMBOL	FUNCTION	INSIDE EQUIVALENT CIRCUIT
4	GND	Ground	
5	V ⁺	Operating Voltage	
6	V _{REF}	Ref Amp Output	
7	V _S	Comparator S Input	
8	$\overline{\text{RESET}}$	Reset Output Internal pull up resistor	

■ TYPICAL CHARACTERISTICS

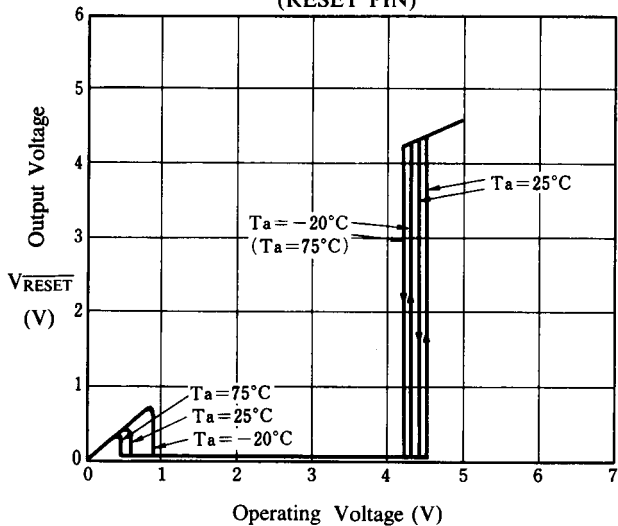
Operating Current vs. Operating Voltage



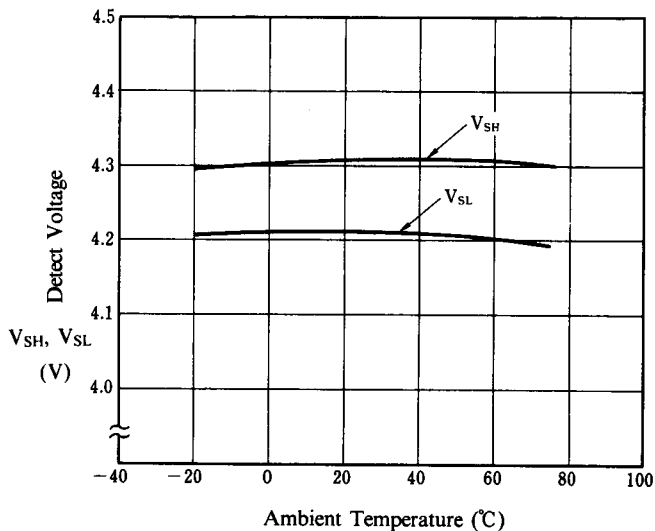
Output Voltage vs. Operating Voltage (RESET PIN)



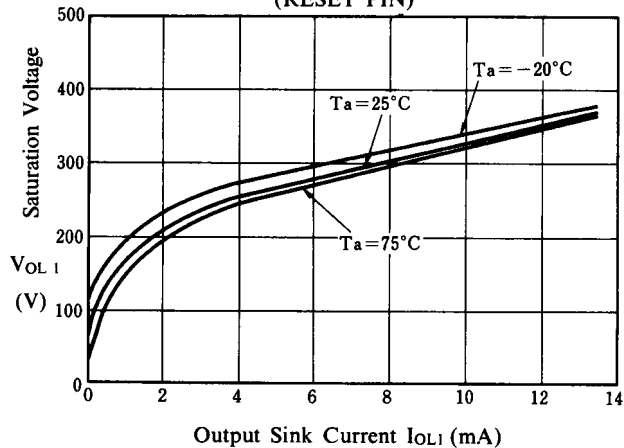
Output Voltage vs. Operating Voltage (RESET PIN)



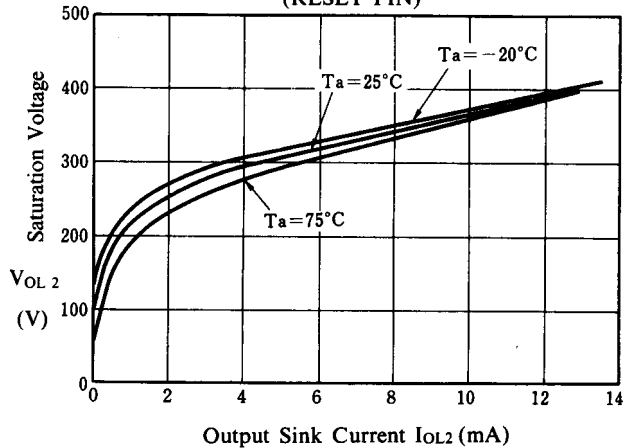
Detect Voltage vs. Ambient Temperature



Saturation Voltage vs. Output Sink Current (RESET PIN)

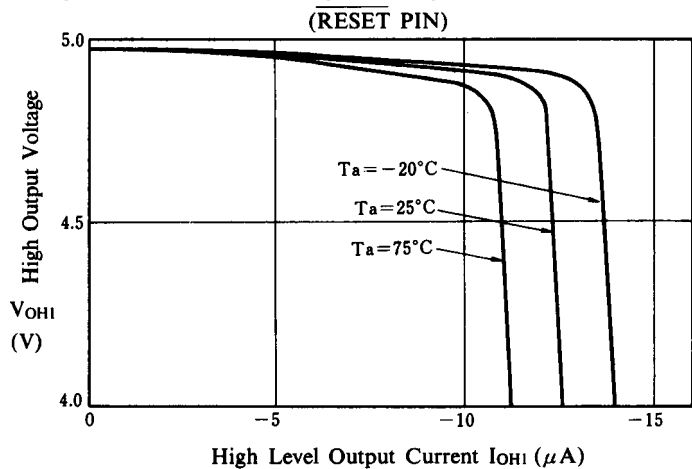


Saturation Voltage vs. Output Sink Current (RESET PIN)

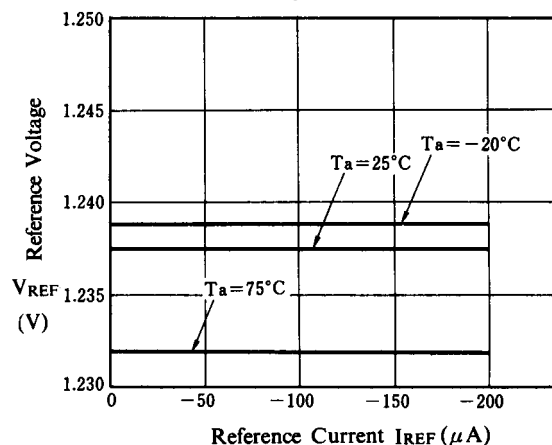


■ TYPICAL CHARACTERISTICS

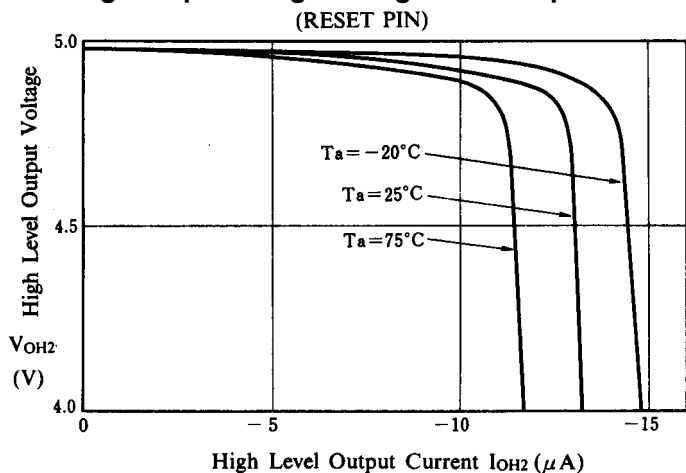
High Level Output Voltage vs. High Level Output Current



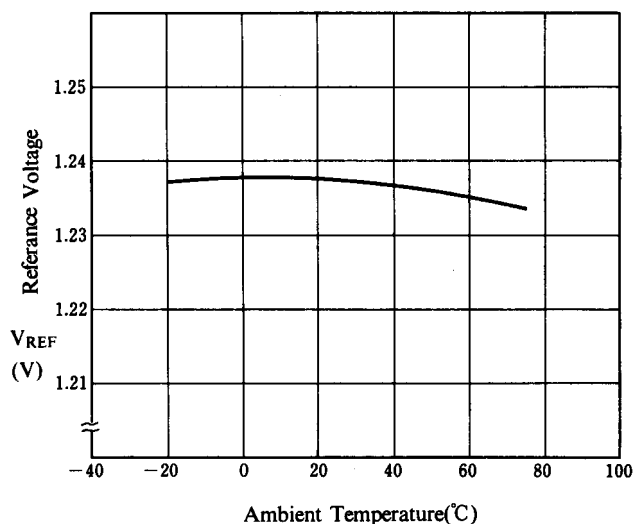
Reference Voltage vs. Reference Current



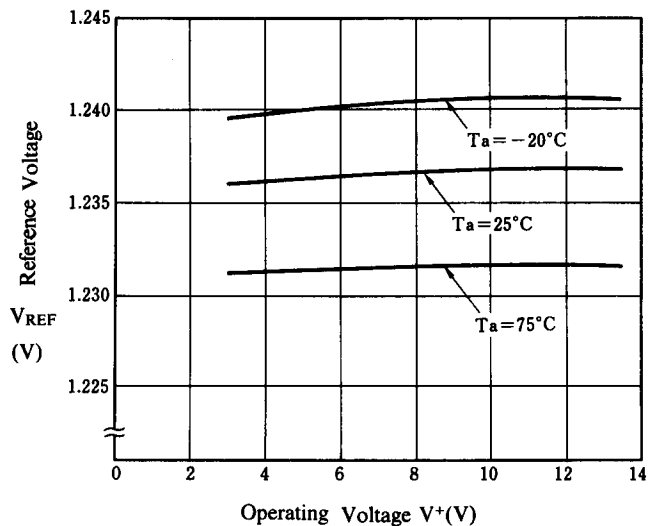
High Output Voltage vs. High Level Output Current



Reference Voltage vs. Ambient Temperature

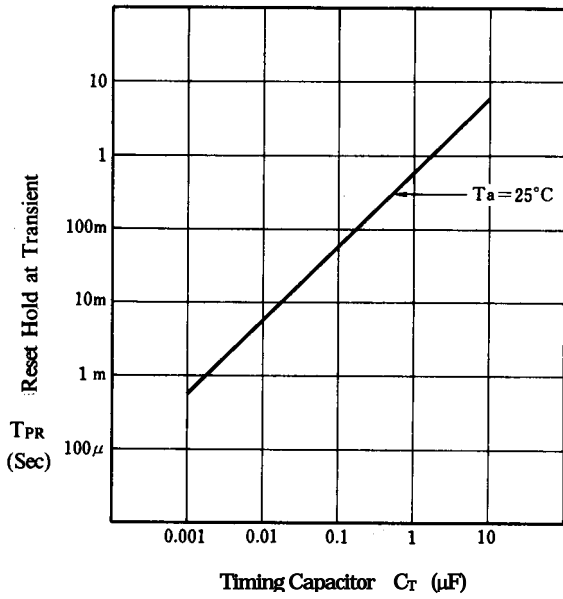


Reference Voltage vs. Operating Voltage

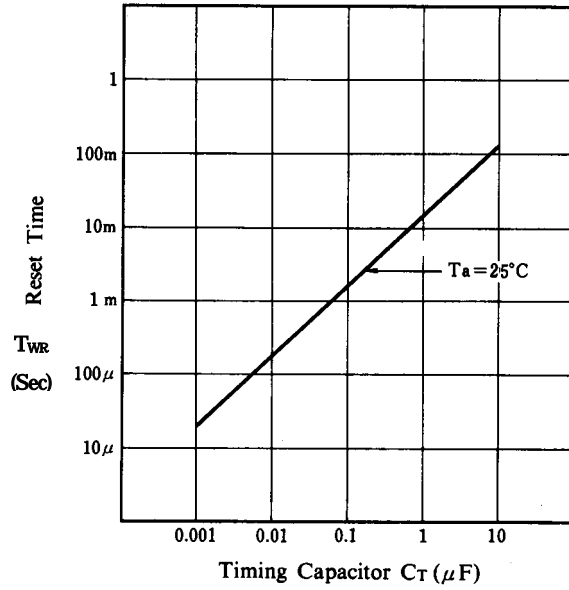


■ TYPICAL CHARACTERISTICS

Reset Hold Time at Transient

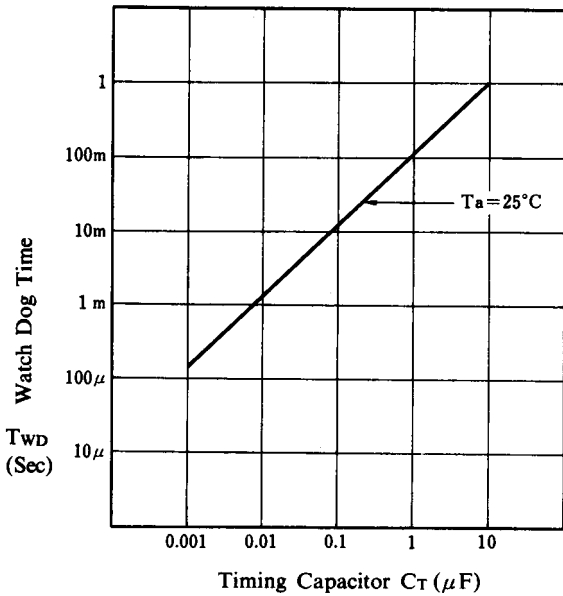


Reset Time

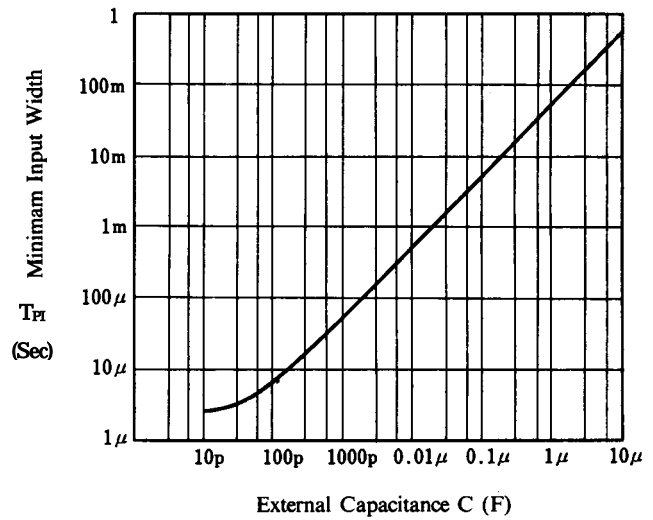


1

Watch Dog Timer observation time

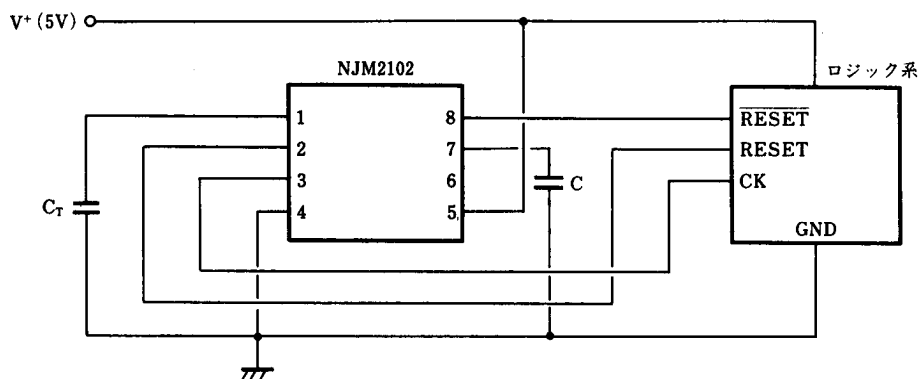


Minimum Input Pulse Width vs. C



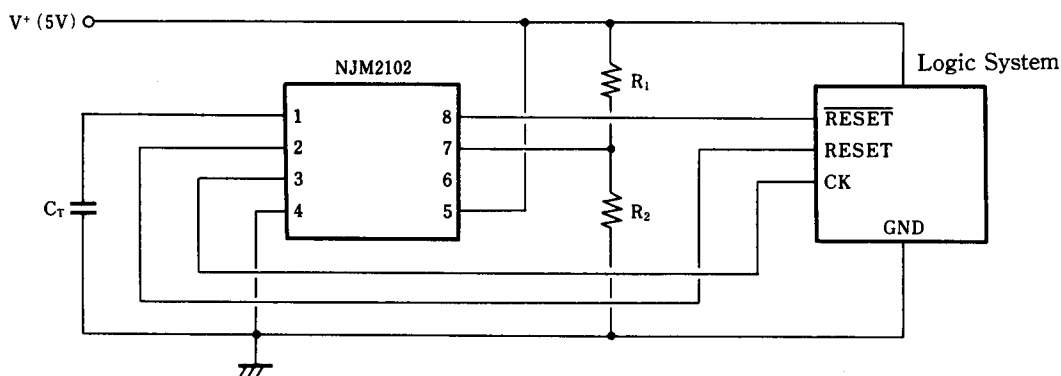
APPLICATION CIRCUIT

1. 5V Supply Voltage Supervisory and Watch-dog timer



- Voltage Supply is detected through V_S . Detected Voltage is V_{SH} , V_{SL} .
- If minimum input pulse width T_{PI} needs extend, add external capacitor C between V_S terminal and GND. (Please refer to TYPICAL CHARACTERISTICS : Minimum Input Pulse Width vs C)

2. 5V Supply Voltage Supervisory (Externally fine tuning type)

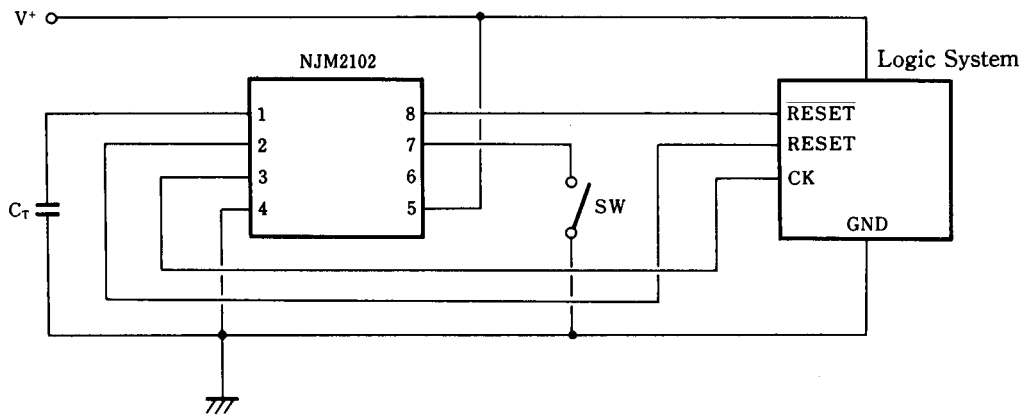


- V_S detecting Voltage can be externally adjusted.
- Detecting Voltage can be decided by divider resistor of IC inside. Detecting Voltage can be set by external R_1 , R_2 . The external resistor R_1 , R_2 are required to be set in value less than 1 / 10 in comparing to dividing resistor of IC inside. Please refer to following Table.

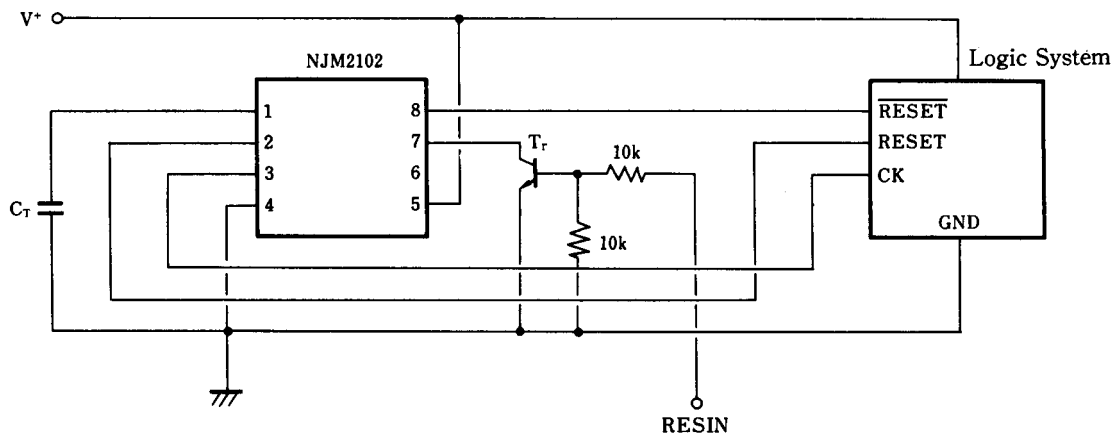
R_1 (k Ω)	R_2 (k Ω)	Detecting Voltage : V_{SL} (V)	Detecting Voltage : V_{SH} (V)
10	3.9	4.34	4.44
9.1	3.9	4.08	4.18

NJM2102

3. Compulsory Resetting attached (Reset Hold attached)



- *Pin 7 to be grounded when SW. ON. RESET (8pin) become Low : RESET (pin2) become HIGH.



- By putting signal in the RESET pin, and Tr swich ON $\overline{\text{RESET}}$ pin become LOW and RESET pin HIGH.

[CAUTION]
 The specifications on this databook are only given for information, without any guarantee as regards either mistakes or omissions. The application circuits in this databook are described only to show representative usages of the product and not intended for the guarantee or permission of any right including the industrial rights.