

Biomonitoring Sensor with Two Green LEDs & Optical filtered PTr

FEATURES

- Peak wavelength of LED: λ_p 525nm (Green)
- High output, High S/N ratio
- Optical filtered phototransistor
- Miniature, thin package: 3.15 X 4.35 X 0.8mm
- Pb free solder re-flowing permitted: 260°C, 2 times
- Pb free, Halogen free
- Conformity to RoHS directive

GENERAL DESCRIPTION

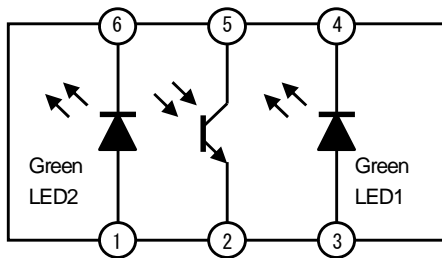
NJL5304R is the compact surface mount type photo sensor, which is built in Two GREEN LEDs and an optical filtered phototransistor that is useful reduce 'Ambient light noise'.

NJL5304R is a sensor for pulse rate (heart rate) measurement which shows one of fitness application that targeted the fitness tracker like Smart watch/Band/Bracelet.

APPLICATION

- Pulse rate (Heart rate) of Wearable Devices (Smart watch, Fitness Tracker etc.)
- Mobile Devices

BLOCK DIAGRAM

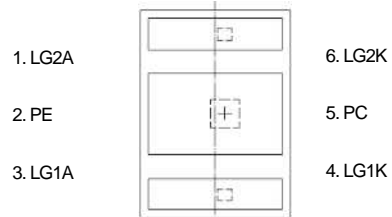


1. LG2A
2. PE
3. LG1A
4. LG1K
5. PC
6. LG2K

PIN CONFIGURATION

PIN NO.	SYMBOL	DESCRIPTION
1	LG2A	Anode for GREEN LED2
2	PE	Emitter for PTr
3	LG1A	Anode for GREEN LED1
4	LG1K	Cathode for GREEN LED1
5	PC	Collector for PTr
6	LG2K	Cathode for GREEN LED2

(Top View)



ORDERING INFORMATION

PART NUMBER	PACKAGE OUTLINE	RoHS	HALOGEN-FREE	TERMINAL FINISH	MARKING	WEIGHT (mg)	MOQ(pcs)
NJL5304R	COBP	✓	✓	Au	No marking	17	3,000

*** Caution : This product is still under product development where the product specifications are subjected to change upon product release.**

■ ABSOLUTE MAXIMUM RATINGS (Ta=25 °C)

PARAMETER	SYMBOL	RATINGS	UNIT
Emitter			
Forward Current (Continuous) *1	IF	15	mA
Reverse Voltage (Continuous)	VR	5	V
Power Dissipation	PD	65	mW
Detector			
Collector - Emitter Voltage	VCEO	20	V
Emitter - Collector Voltage	VECO	5	V
Collector Current	IC	10	mA
Collector Power Dissipation	PD	20	mW
Coupled			
Total Power Dissipation	Ptot	85	mW
Operating Temperature Range	T _{opr}	-20 to +70	°C
Storage Temperature Range	T _{stg}	-30 to +85	°C
Reflow Soldering Temperature	T _{sol}	260	°C

*1 This is current value of each 1pcs LED.

■ ELECTRO-OPTICAL CHARACTERISTICS (Ta=25 °C)

PARAMETER	SYMBOL	TEST CONDITION	MIN.	TYP.	MAX.	UNIT
Emitter						
DC Forward Voltage	VF	IF=10mA	—	3	3.5	V
Pulse Forward Voltage *1	VFP	IFP=100mA	—	4	—	V
Reverse Current	IR	VR=5V	—	—	10	μA
Peak Wavelength	λ _p	IF=10mA	—	525	—	nm
Detector						
Dark Current	ICEO	VCE=20V, Without incident light	—	—	0.1	μA
Collector - Emitter Voltage	VCEO	IC=100μA, Without incident light	20	—	—	V
Peak Sensitive Wavelength	λ _P	—	—	590	—	nm
Coupled						
Output Current *2	IO	IF=4mA(*4), VCE=2V, d=2.0mm(*5)	TBD	450	TBD	μA
Operating Dark Current *3	ICEOD	IF=4mA(*4), VCE=2V, Without reflective plate	—	0.1	TBD	μA
Response Time(Rise/Fall)	tr	IC=100μA, VCE=2V, RL=1kΩ, d=2.0mm(*5)	—	TBD	—	μs
	tf	IC=100μA, VCE=2V, RL=1kΩ, d=2.0mm(*5)	—	TBD	—	μs

*1 Pulse duty 0.5% (Pulse width 100us, Period 20ms)

*2 Please refer to "Output Current Test Condition".

*3 ID may increase according to the periphery situation of the surface mounted condition.

*4 Total current of each LED (IF=2mA/pcs).

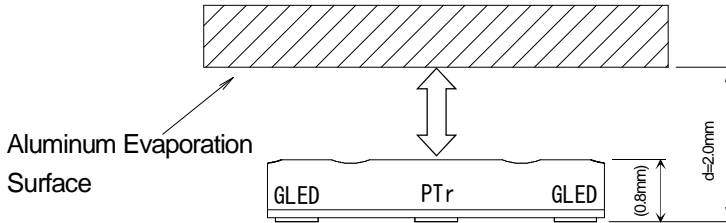
*5 Distance from the package undersurface to the aluminum evaporation surface.

※In the Electro-Optical characteristics table, items that are showed only the typical value are not tested in manufacturing process.

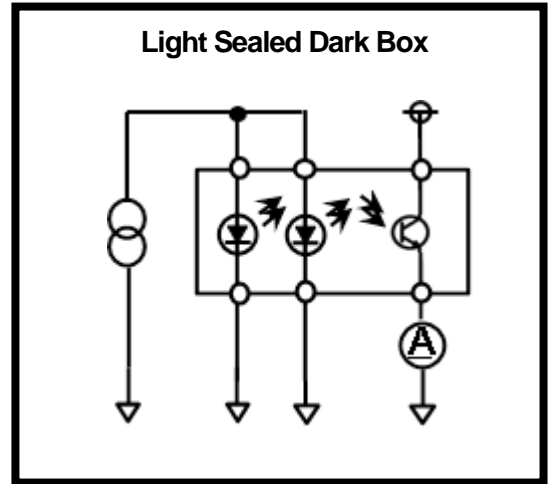
*** Caution : This product is still under product development where the product specifications are subjected to change upon product release.**

■ OUTPUT CURRENT TEST CONDITION

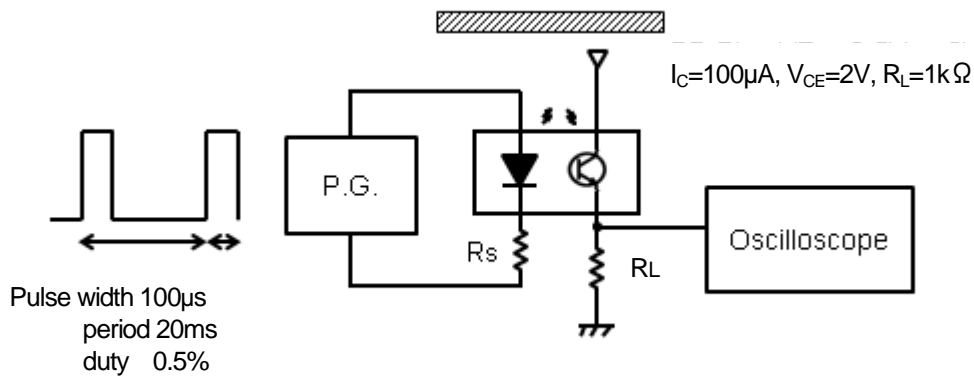
The signal from LED is reflected at the aluminum surface.



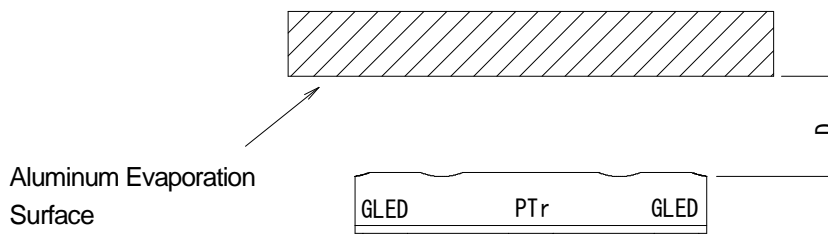
■ DARK CURRENT TEST CONDITION



■ RESPONSE TEST CONDITION



■ OUTPUT CURRENT vs. DISTANCE TIME TEST CONDITION



* **Caution** : This product is still under product development where the product specifications are subjected to change upon product release.

■APPLICATION NOTE**(1) Attention in handling**

Treat not to touch the light receiving and light emitting part.

Avoid to adhering the dust and any other foreign materials on the light receiving and light emitting part when using.

Never apply reverse voltage (VEC) of over 5V to the photo transistor when measuring the characteristics or adjusting the system. If applied, it causes to lower the sensitivity.

When LED has operated by voltage, it should be connected the resistor of current adjustment. Avoid to applying direct voltage to LED, because there is possibility that LED is destroyed.

When mounting, special care has to be taken on the mounting position and tilting of the device because it is very important to place the device to the optimum position to the object.

(2) Attention in designing

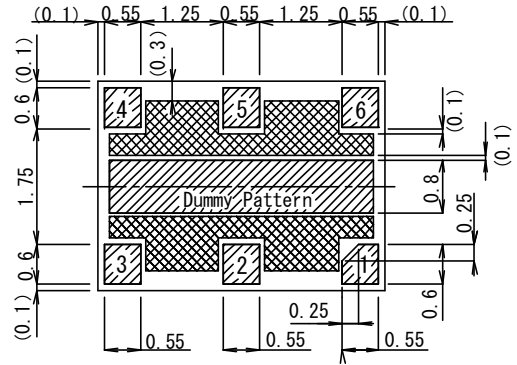
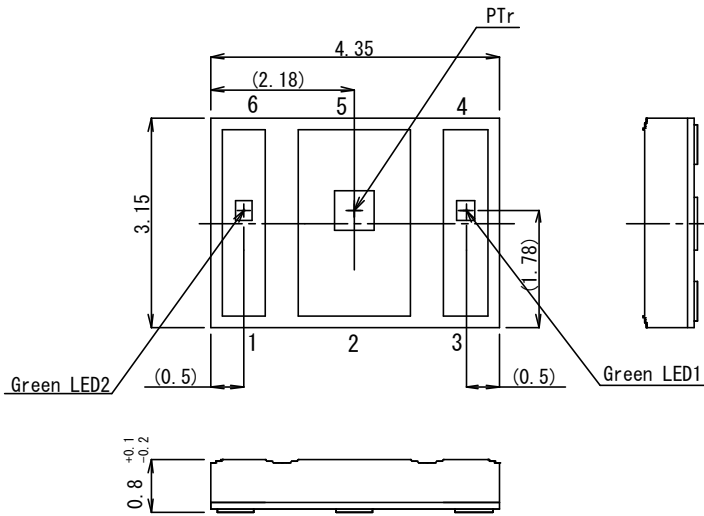
Avoid the entering ambient light into light receiving part for avoid the malfunction by ambient light. Furthermore, there is possibility of malfunction when there are the other mounted parts by near this product peripheral.

There will be changing characteristics by detection object. Refer to this datasheet and evaluate by actual detection object.

When LED has been applied continuous power on long period of time, the output current is dropped. If it uses by always applying power to LED, have to consider the circuit designing of including output current decrease.

*** Caution : This product is still under product development where the product specifications are subjected to change upon product release.**

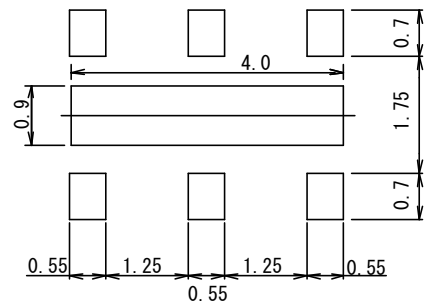
PACKAGE OUTLINE



1. LG2A
2. PE
3. LG1A
4. LG1K
5. PC
6. LG2K

Unspecified tolerance : $\pm 0.1\text{mm}$
 Dimensions in parenthesis are shown for reference.

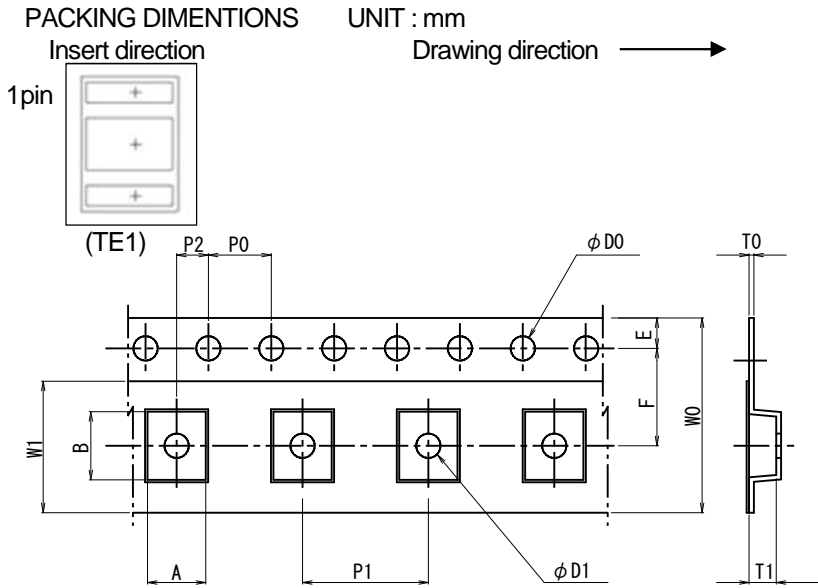
Foot Pattern



* : Dummy pattern should be floating or soldering to PCB

*** Caution : This product is still under product development where the product specifications are subjected to change upon product release.**

PACKING SPECIFICATION



SYMBOL	DIMENSION	REMARKS
A	3.5 ±0.10	BOTTOM DIMENSION
B	4.7 ±0.10	BOTTOM DIMENSION
D0	$\phi 1.50^{+0.1}_{-0}$	
D1	$\phi 1.50^{+0.2}_{-0}$	
E	1.75 ±0.10	
F	5.50 ±0.05	
P0	4.00 ±0.10	
P1	8.00 ±0.10	
P2	2.00 ±0.05	
T0	0.25 ±0.05	
T1	1.28 ±0.10	
W0	12.00 ±0.10	
W1	9.3 ±0.10	THICKNESS 0.1MAX

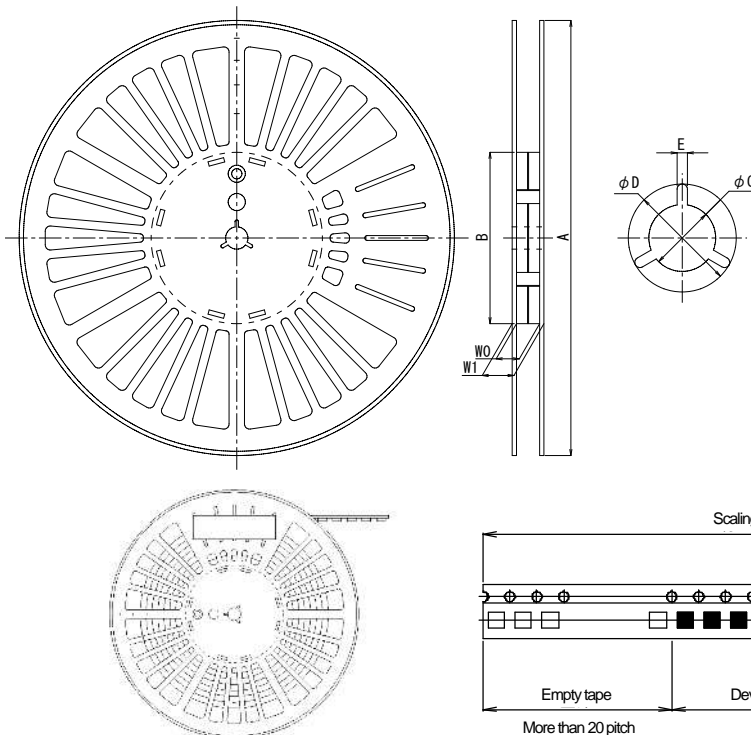
* Carrier tape material : Polycarbonate(antistatic)
Cover tape material : PP(antistatic)

Taping Strength

There is a peel strength in the range of 0.2 to 0.7N when was peeled at a rate of 300mm per minute in opening angle 165 to 180° between the carrier tape and the cover tape.

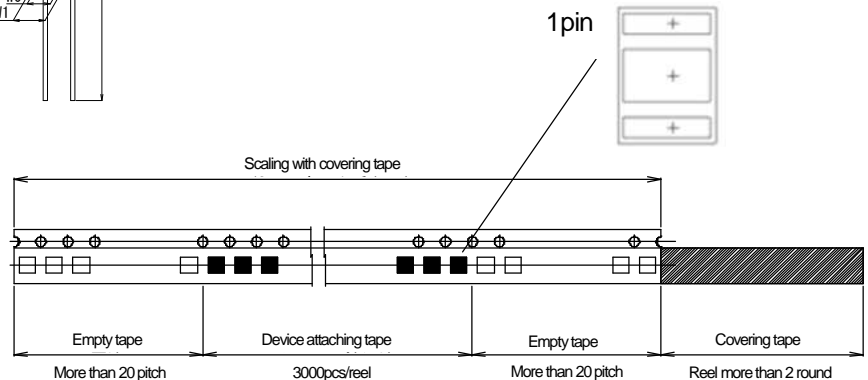
Packaging

- 1) The taped products are to be rolled up on the taping reel as on the drawing.
- 2) Rolling up specification
 - 2-1) Start rolling : Carrier tape open space more than 20 Pieces.
 - 2-2) End of rolling : Carrier tape open space more than 20 Pieces, and 2 round of reel space at the cover tape only.
- 3) Taping quantity : 3,000 Pieces
- 4) Seal off after putting each reels in a damp proof bag with silica gel.



SYMBOL	DIMENSION
A	$\phi 254 \pm 1.0$
B	$\phi 100 \pm 1.0$
C	$\phi 13 \pm 0.2$
D	$\phi 21 \pm 0.8$
E	2.0 ±0.5
W0	13.5 ±1.0
W1	18.5 ±1.0

* Reel material : PPE(antistatic)



*** Caution : This product is still under product development where the product specifications are subjected to change upon product release.**

RECOMMENDED MOUNTING METHOD

NOTE

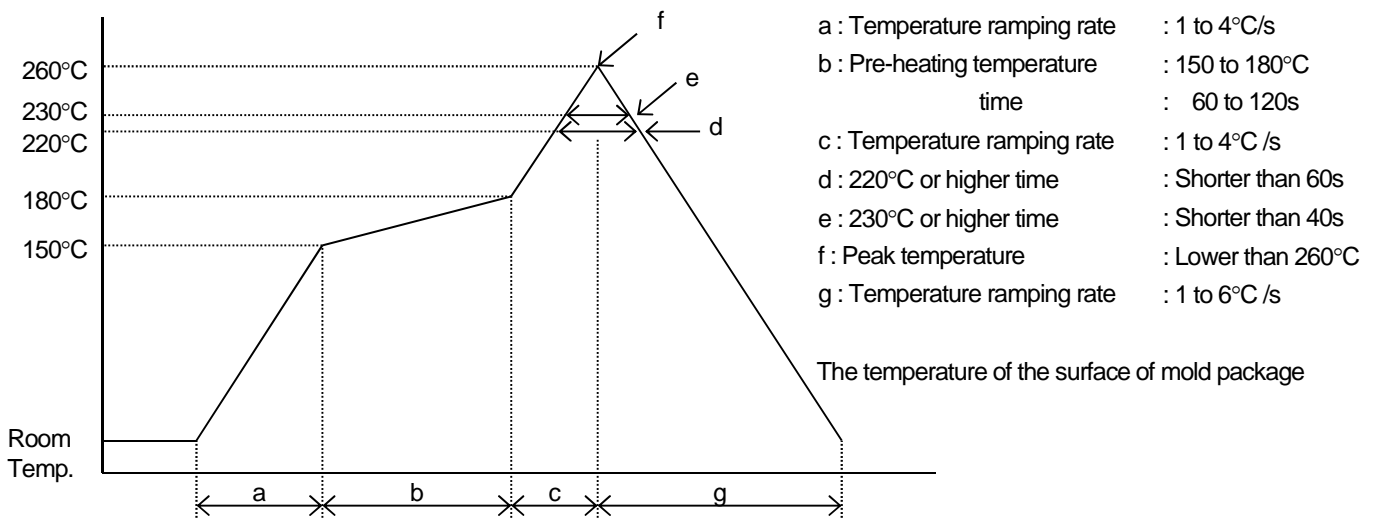
Mounting was evaluated with the following profiles in our company, so there was no problem. However, confirm mounting by the condition of your company beforehand.

The exposure of device under higher temperature many affect to the reliability of the products, it is recommended to complete soldering in the shortest time possible.

Mounting: Twice soldering is allowed.

INFRARED REFLOW SOLDERING METHOD

Recommended reflow soldering temperature profile is in the following.



(NOTE1) Using reflow furnace with short wave infrared radiation heater such as halogen lamp

Regarding temperature profile, please refer to those fo reflow furnace.

In this case the resin surface temperature may become higher than lead terminals due to endothermic ally of black colored mold resin. Therefore, please avoid from direct exposure to mold resin.

(NOTE2) Other method

Such other methods of soldering as dipping the device into melted solder and vapor phase method (VPS) are not appropriate because the body of device will be heated rapidly. Therefore, these are not recommended to apply.

(NOTE3) The resin gets softened right after soldering, so, the following care has to be taken

Not to contact the lens surface to anything.

Not to dip the device into water or any solvents.

FLOE SOLDERING METHOD

Flow soldering is not possible.

IRON SOLDERING METHOD

Iron soldering is not possible.

*** Caution : This product is still under product development where the product specifications are subjected to change upon product release.**

■ CLEANING

Avoid washing the device after soldering by reflow method.

■ IC STORAGE CONDITIONS AND ITS DURATION**(1) Temperature and humidity ranges**

Pack Sealing	Temperature:	5 to 40 [°C]
	Humidity:	40 to 80 [%]
Pack Opening	Temperature:	5 to 30 [°C]
	Humidity:	40 to 70 [%]

After opening the bag, solder products within 48h.

Avoid a dry environment below 40% because the products are easily damageable by the electrical discharge.

Store the products in the place where it does not create dew with the products due to a sudden change in temperature.

- (2) When baking, place the reel vertically to avoid load to the side.
- (3) Do not store the devices in corrosive-gas atmosphere.
- (4) Do not store the devices in a dusty place.
- (5) Do not expose the devices to direct rays of the sun.
- (6) Do not allow external forces or loads to be applied to IC's.
- (7) Be careful because affixed label on the reel might be peeled off when baking.
- (8) The product is recommended to do the baking before using for the stability of the quality.

■ BAKING

In case of keeping expect above condition be sure to apply baking.

Baking method: Ta=60°C, 48 to 72h, Three times baking is allowed

■ STORAGE DURATION

Within a year after delivering this device.

For the products stored longer than a year, confirm their terminals and solderability before they are used.

■ MOISTURE SENSITIVITY LEVELS

JEDEC : Level 5

*** Caution : This product is still under product development where the product specifications are subjected to change upon product release.**

[CAUTION]

1. New JRC strives to produce reliable and high quality semiconductors. New JRC's semiconductors are intended for specific applications and require proper maintenance and handling. To enhance the performance and service of New JRC's semiconductors, the devices, machinery or equipment into which they are integrated should undergo preventative maintenance and inspection at regularly scheduled intervals. Failure to properly maintain equipment and machinery incorporating these products can result in catastrophic system failures
2. The specifications on this datasheet are only given for information without any guarantee as regards either mistakes or omissions. The application circuits in this datasheet are described only to show representative usages of the product and not intended for the guarantee or permission of any right including the industrial rights. All other trademarks mentioned herein are property of their respective companies.
3. To ensure the highest levels of reliability, New JRC products must always be properly handled. The introduction of external contaminants (e.g. dust, oil or cosmetics) can result in failures of semiconductor products.
4. New JRC offers a variety of semiconductor products intended for particular applications. It is important that you select the proper component for your intended application. You may contact New JRC's Sale's Office if you are uncertain about the products listed in this catalog.
5. Special care is required in designing devices, machinery or equipment which demand high levels of reliability. This is particularly important when designing critical components or systems whose failure can foreseeably result in situations that could adversely affect health or safety. In designing such critical devices, equipment or machinery, careful consideration should be given to amongst other things, their safety design, fail-safe design, back-up and redundancy systems, and diffusion design.
6. The products listed in the catalog may not be appropriate for use in certain equipment where reliability is critical or where the products may be subjected to extreme conditions. You should consult our sales office before using the products in any of the following types of equipment.

Aerospace Equipment
Equipment Used in the Deep Sea
Power Generator Control Equipment (Nuclear, Steam, Hydraulic)
Life Maintenance Medical Equipment
Fire Alarm/Intruder Detector
Vehicle Control Equipment (airplane, railroad, ship, etc.)
Various Safety devices

7. New JRC's products have been designed and tested to function within controlled environmental conditions. Do not use products under conditions that deviate from methods or applications specified in this catalog. Failure to employ New JRC products in the proper applications can lead to deterioration, destruction or failure of the products. New JRC shall not be responsible for any bodily injury, fires or accident, property damage or any consequential damages resulting from misuse or misapplication of its products. Products are sold without warranty of any kind, either express or implied, including but not limited to any implied warranty of merchantability or fitness for a particular purpose.
8. Warning for handling Gallium and Arsenic (GaAs) Products (Applying to GaAs MMIC, Photo Reflector). This Products uses Gallium (Ga) and Arsenic (As) which are specified as poisonous chemicals by law. For the prevention of a hazard, do not burn, destroy, or process chemically to make them as gas or power. When the product is disposed, please follow the related regulation and do not mix this with general industrial waste or household waste.
9. The product specifications and descriptions listed in this catalog are subject to change at any time, without notice.



*** Caution : This product is still under product development where the product specifications are subjected to change upon product release.**