

Date

Jun. 22, 2018

Released

X band Radar Front End

Model No. NJT1968B

Copyright© 2018
New Japan Radio Co., Ltd.
Microwave Division

-Notice of Proprietary Information-

This document and its contents are proprietary to New Japan Radio Co., Ltd.
This publication and its contents may not be reproduced or distributed for any other purpose
without the written permission of New Japan Radio Co., Ltd.
Those specifications listed in this document are subject to change at any time, without notice.

New Japan Radio Co., Ltd.
Microwave Division

Title:

Datasheet of NJT1968B

Reference No.:

DS-T1968B

Rev.:

04E

Sheet:

1/3

■ GENERAL DESCRIPTION

NJT1968B is designed for the front end of marine radar system.

It features a small size and a light weight operable at any frequency between 9.38GHz and 9.44GHz.

This front end module consists of PIN diode Limiter, GaAs HEMT low noise amplifier, Image rejection mixer, Local VCO with buffer amplifier.

The stability of the local VCO frequency by the input RF power is increased effectively by the buffer amplifier which is located between image rejection mixer and local VCO.



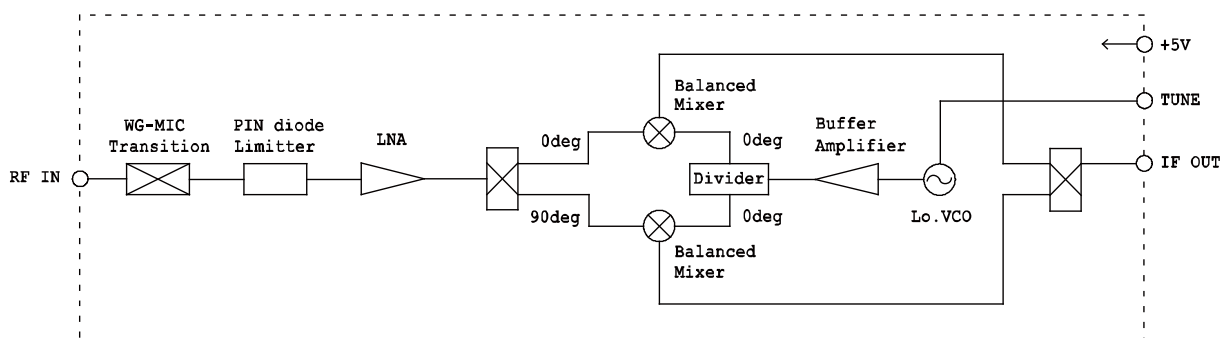
■ ELECTRICAL CHARACTERISTICS < at 25 °C >

PARAMETERS	Minimum	Typical	Maximum	Unit
Operating voltage	4.8	5.0	5.2	V
Operating current	-	85	100	mA
Tuning Voltage (note 1)	10.5	12.0	13.5	V
Local frequency	VT= 4V	-	9.41	GHz
	VT=24V	9.53	-	GHz
Noise figure	-	-	7.5	dB
Conversion gain	-7.0	-	-	dB
1dB Gain compression point (RF Port)	-8.0	-5.0	-	dBm
RF repetitive pulse burnout (note 2)	-	-	800	W

Note1: fLO=9.47GHz

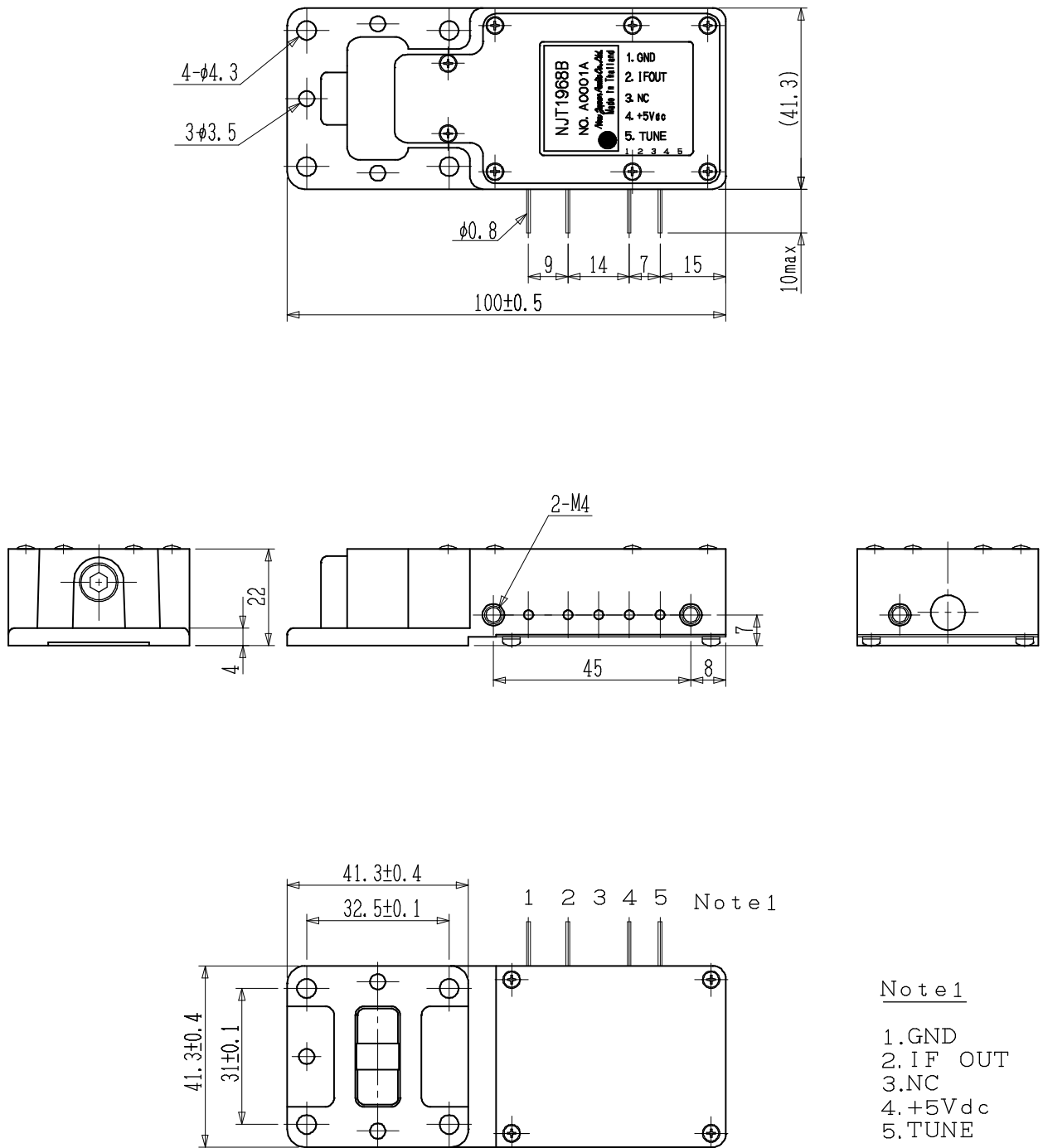
Note2: fRF=9.41GHz, Pd=1μsec, Duty=0.001

■ BLOCK DIAGRAM



* Above Specifications are subject to change without notice.

■ OUTLINE



(Dimensions are expressed in "mm".)

* Above Specifications are subject to change without notice.

