

Electron Gun

■ GENERAL DESCRIPTION

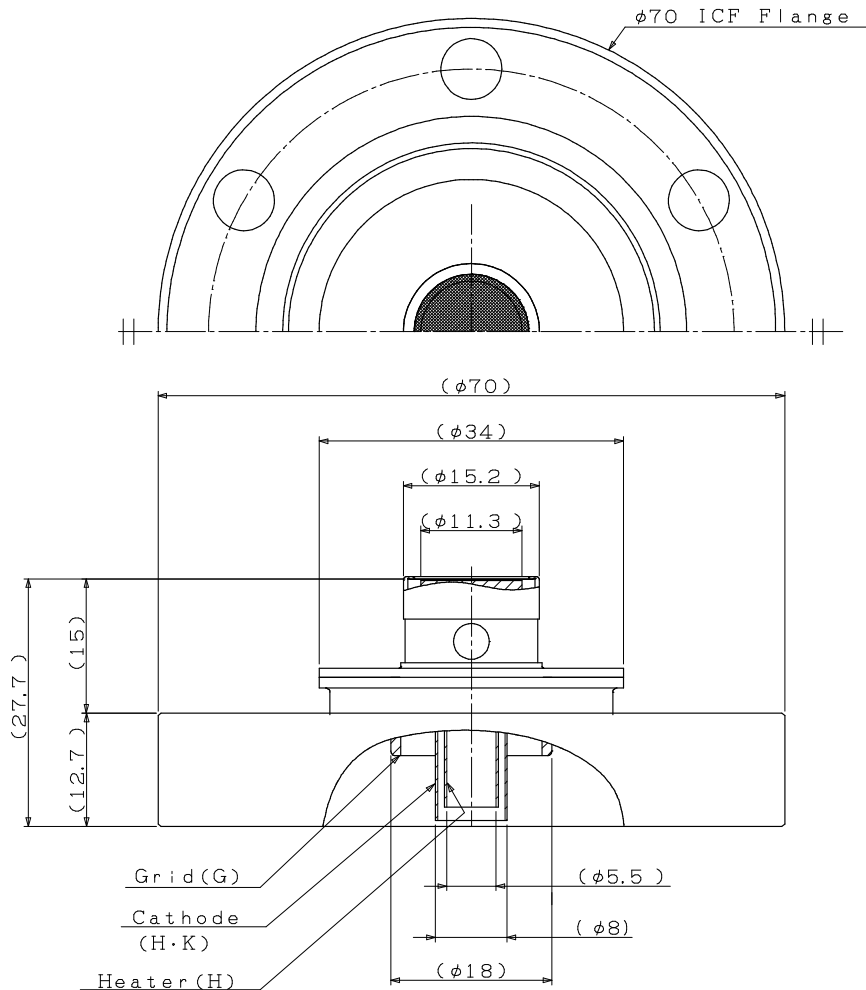
NJK2321A is an electron gun includes the Ir coated dispenser cathode and indirect type heater for getting electron emission. This electron gun is also preparing a grid electrode.

■ CATHODE SPECIFICATIONS

Cathode type: Ir coated dispenser cathode
 Cathode diameter: 11.3 mm / Area: 1.0 cm²
 Current density: 10 A/cm²
 Heater voltage: 6.7 V
 Heater current: 2.2 A
 Flange type: ICF-70



■ OUTLINE



(Dimensions are expressed in "mm".)

*Note: The contents of this sheet are subject to change without notice.