

Date

JUL. 9, 2018

Released

# Electron Gun

## Model No. NJK2301

**Copyright© 2018**  
**New Japan Radio Co., Ltd.**  
**Microwave Division**

-Notice of Proprietary Information-

This document and its contents are proprietary to New Japan Radio Co., Ltd.  
This publication and its contents may not be reproduced or distributed for any other purpose  
without the written permission of New Japan Radio Co., Ltd.  
Those specifications listed in this document are subject to change at any time, without notice.

New Japan Radio Co., Ltd.  
Microwave Division

Title:

Datasheet of NJK2301

Reference No.:

DS-NJK2301

Rev.:

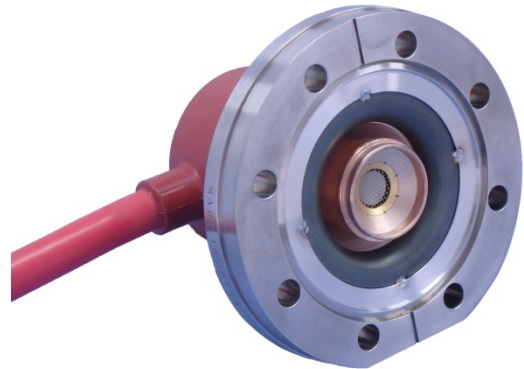
08E

Sheet:

1/2

## ■ GENERAL DESCRIPTION

NJK2301 is an electron gun includes the Ir coated dispenser cathode and indirect type heater for getting electron emission. This electron gun is also preparing a grid electrode.

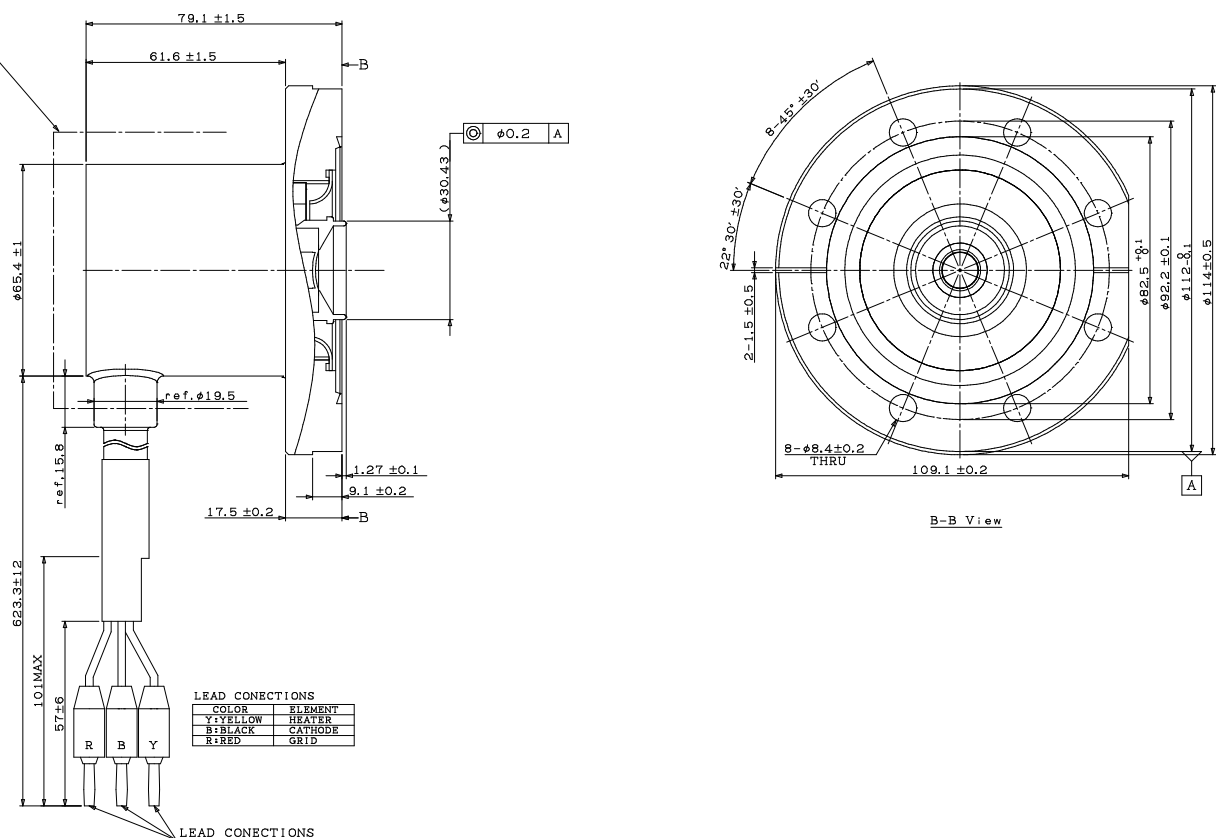


## ■ CATHODE SPECIFICATIONS

Cathode type: Ir coated dispenser cathode  
 Cathode diameter: 11 mm / Area: 1.0 cm<sup>2</sup>  
 Current density: 10 A/cm<sup>2</sup>  
 Heater voltage: 6.3 V  
 Heater current: 4.0 A  
 Flange type: ICF-114  
 Half angle: 15.7°  
 Emission test data will be available.

## ■ OUTLINE

Should be kept the over 10mm insulation gap from the surface of the silicone potting.



(Dimensions are expressed in "mm".)

\* Above Specifications are subject to change without notice.