

# NJK1140

## Heater

The NJK1140 is a heater for the NJK1120A small dispenser cathode, which provides effective heating.

### ---- Features ----

- The Rhenium tungsten is easy to handle
- The coiled-coil design is utilized to make the radiation area wide.
- The Aluminum oxide is coated, and the “dark” coating treatment is applied on the surface to increase the thermal emissivity of the heater.

### ---- Applications ----

- Heater for the NJK1120A.

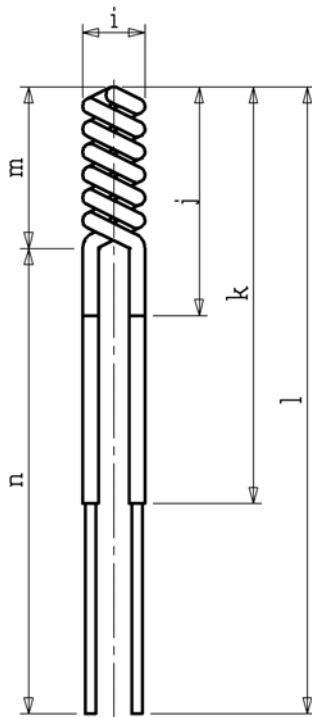
### ---- Specification ----

| Item   | Min | Max | Unit | Test condition            |
|--|-----|-----|------|---------------------------|
| Heater resistance (R)                            | 3.8 | 4.1 | Ω    | 25 °C                     |
| Heater current (If) **                           | 285 | 315 | mA   | Tk=1050 °C b              |
| Leak current between cathode and heater (Ihk) ** | -   | 20  | uA   | Ef=6.3V<br>Ehk=+200/-200V |

### Caution:

- The value of the Heater current (If) is measured in the case assembled with the NJK1120A, and may change depending on the complete assembled structure.

## OUTLINE



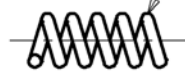
DEMENSIONS Unit : mm

|   |    |                |
|---|----|----------------|
| i |    | $\phi 1.5-8.1$ |
| j | *1 | $5.5 \pm 1.5$  |
| k | *2 | $10 \pm 1.5$   |
| l |    | $15 \pm 1$     |

\*1. Al<sub>2</sub>O<sub>3</sub>+Black COATING SECTION

\*2. Al<sub>2</sub>O<sub>3</sub> COATING SECTION

Re-W WIRE



SECTION m

Re-W WIRE Mo WIRE



SECTION n