

## Cathode

### GENERAL DESCRIPTION

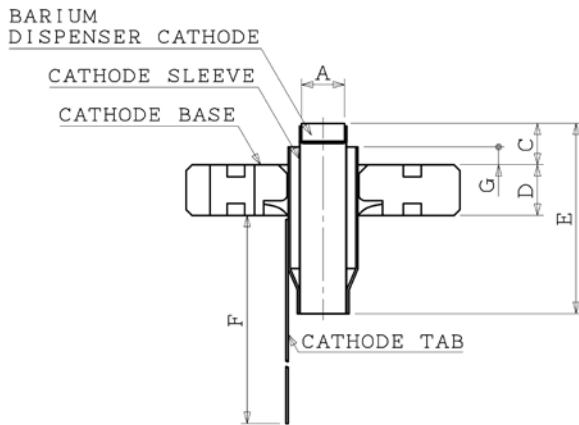
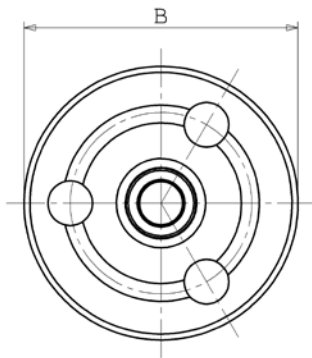
NJK1120A is a cathode includes the Ir coated dispenser cathode.

Cathode type: Ir coated dispenser cathode  
 Cathode diameter: 1.5 mm / Area: 0.018 cm<sup>2</sup>  
 Current density: 10 A/cm<sup>2</sup> minimum  
 Heater voltage (Note): 6.3 V  
 Heater current (Note): 0.3 A

\*Note: Heater NJK1140(Optional) installed.



### OUTLINE



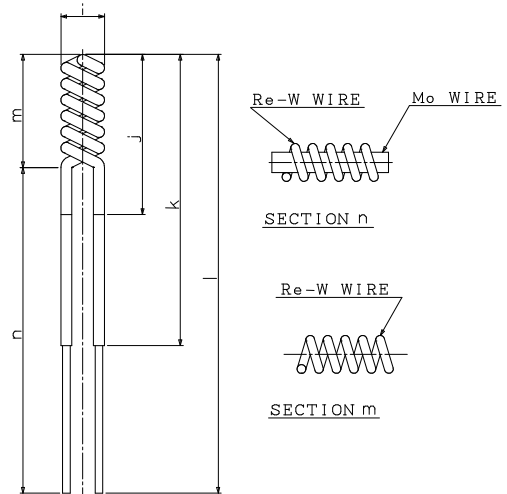
DEMENSIONS	Unit : mm
A	φ 1.45
B	φ 9.2
C	1.4
D	1.7
E	6.4
F	15
G	0.7max

### OPTION

### NJK1140

#### Heater

### OUTLINE



DEMENSIONS	Unit : mm
i	φ 1.5 <sup>0</sup> <sub>-0.1</sub>
j *1	5.5 ± 1.5
k *2	10 ± 1.5
l	15 ± 1

\*1: Al<sub>2</sub>O<sub>3</sub> Black COATING SECTION  
 \*2: Al<sub>2</sub>O<sub>3</sub> COATING SECTION

\*Note: The contents of this sheet are subject to change without notice.