

Date

Jun. 08, 2018

**Released**

# X band Magnetron

## Model No. MAF1565N

**Copyright© 2018**  
**New Japan Radio Co., Ltd.**  
**Microwave Division**

-Notice of Proprietary Information-

This document and its contents are proprietary to New Japan Radio Co., Ltd.  
This publication and its contents may not be reproduced or distributed for any other purpose  
without the written permission of New Japan Radio Co., Ltd.  
Those specifications listed in this document are subject to change at any time, without notice.

New Japan Radio Co., Ltd.  
Microwave Division

Title:

Datasheet of MAF1565N

Reference No.:

DS-MAF1565N

Rev.:

04E

Sheet:

1/3

## ■ GENERAL DESCRIPTION

MAF1565N is designed for the magnetron of X band radar system. The frequency range is fixed <9380 - 9440MHz> and the peak output power is 10kW.

**【V Technology】**



## ■ ELECTRICAL CHARACTERISTICS

PARAMETERS	Minimum	Typical	Maximum	Unit
Heater voltage (note 1)	6.0	6.3	6.6	V
Heater current	0.5	0.55	0.6	A
Preheat time	65	-	-	s
Peak anode voltage (note 2)	5.4	5.6	6.0	kV
Peak output power (note 2)	10.0	10.5	-	kW
Frequency (note 2)	9380	9410	9440	MHz

## ■ ABSOLUTE MAXIMUM RATINGS

These ratings cannot necessarily be used simultaneously and no individual ratings should be exceeded.

PARAMETERS	Minimum	Maximum	Unit
Peak anode current (note 3)	3.7	6.2	A
Average anode power input	-	40	W
Duty cycle	-	0.001	-
Pulse duration	0.07	1.25	μs
Rate of rise of voltage pulse	-	80	kV/μs
Anode temperature	-	100	°C
VSWR at the output coupler	-	1.5 : 1	-

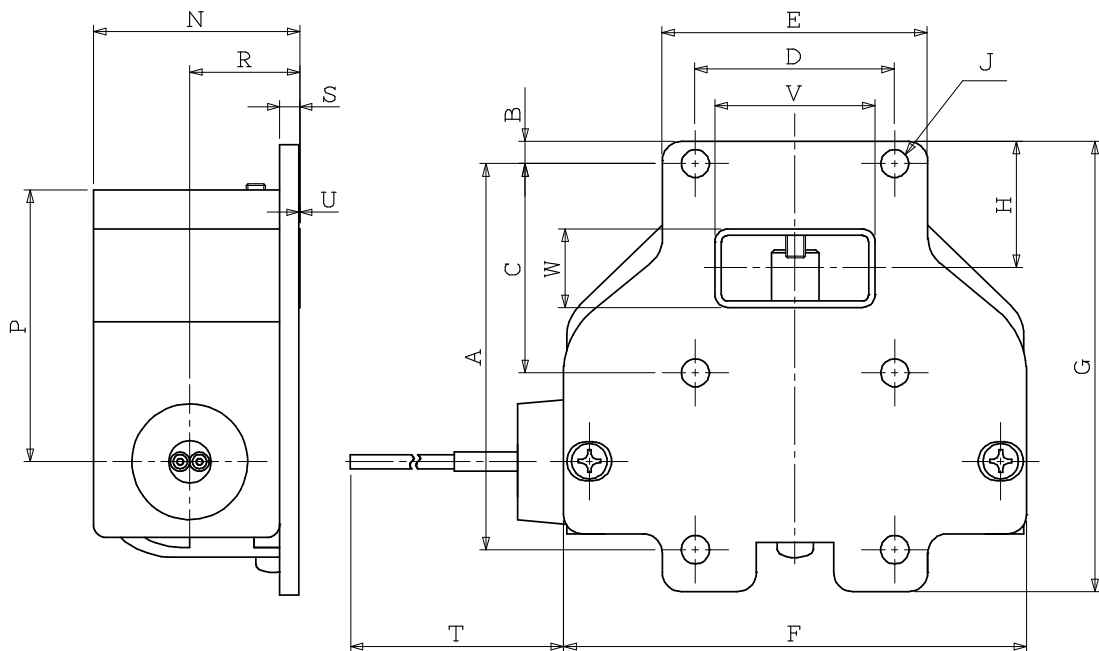
### Notes

1. With no anode input power. No reduction of heater voltage at operating is required.
2. Measured at peak anode current 5.0A.

\* Above Specifications are subject to change without notice.

- Any overshoot of the anode current is not acceptable. The impedance of this magnetron is the same as current magnetron excluding the transient impedance. This means that the additional reactance should be required for adjustment the anode current wave form, if this magnetron will be installed into the similar modulator circuit as before.

## ■ OUTLINE

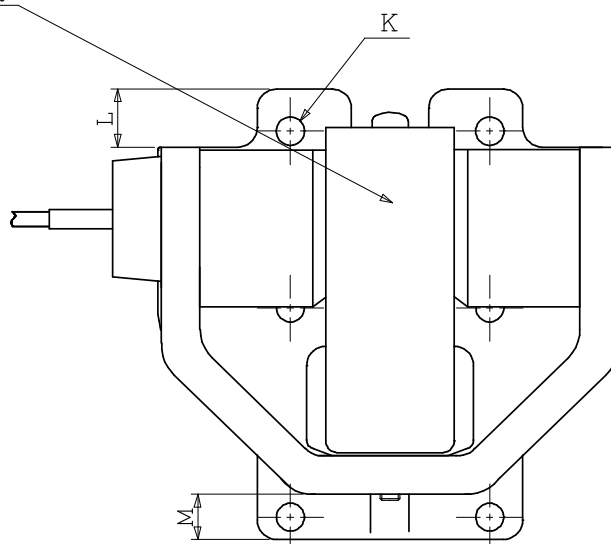


Anode temperature measured at this point

A	60±0.2	L	9
B	3.75	M	7
C	32.5 ±0.1	N	33MAX
D	31±0.1	P	43
E	41.3	R	17
F	72	S	3
G	70	T	185±10
H	20	U	0.1±0.05
J	4-φ4.32 ±0.08	V	24.9±0.2
K	2-φ4.4 ±0.1	W	12.2±0.2

### Lead Connections

Colour	Element
Green	Heater
Yellow	Heater, Cathode



Top View

(Dimensions are expressed in "mm".)

\* Above Specifications are subject to change without notice.

