

M1302A

S-Band Magnetron

M1302A is designed for the magnetron of S-band radar system. The frequency range is fixed between 3.04GHz and 3.06GHz. The peak output power is 30kW Min.

---- MAXIMUM RATINGS ----

	Min	Max	Unit
Peak anode current	6.0	12.0	A
Peak anode power input	-	100	kW
Duty cycle	-	0.001	-
Pulse duration	-	1.0	us
Rate of rise of voltage pulse	-	130	kV/us
Anode temperature	-	120	°C
V.S.W.R. at the output coupler	-	1.5:1	-

---- ELECTRICAL ----

	Min	Typical	Max	Unit
Heater voltage(Note 1)	5.7	6.3	6.9	V
Preheat time	180	-	-	S
Peak anode voltage (Note 2)	7.5	8.0	8.5	kV
Peak output power (Note 2)	30	33	-	kW
Frequency (Note2)	3.04	3.05	3.06	GHz

Note:

1. Measured with heater voltage of 6.3V and no anode input power, the heater current limits are 1.1A minimum, 1.4A maximum. For average pulse input powers greater than 25 watts, the heater voltage must be reduced within 3 seconds after the application of h. t. according to the following schedule:

Meat input power(W)	Heater Voltage(V)
Less than 25	6.3
25 to 62	5.3
62 to 100	4.5

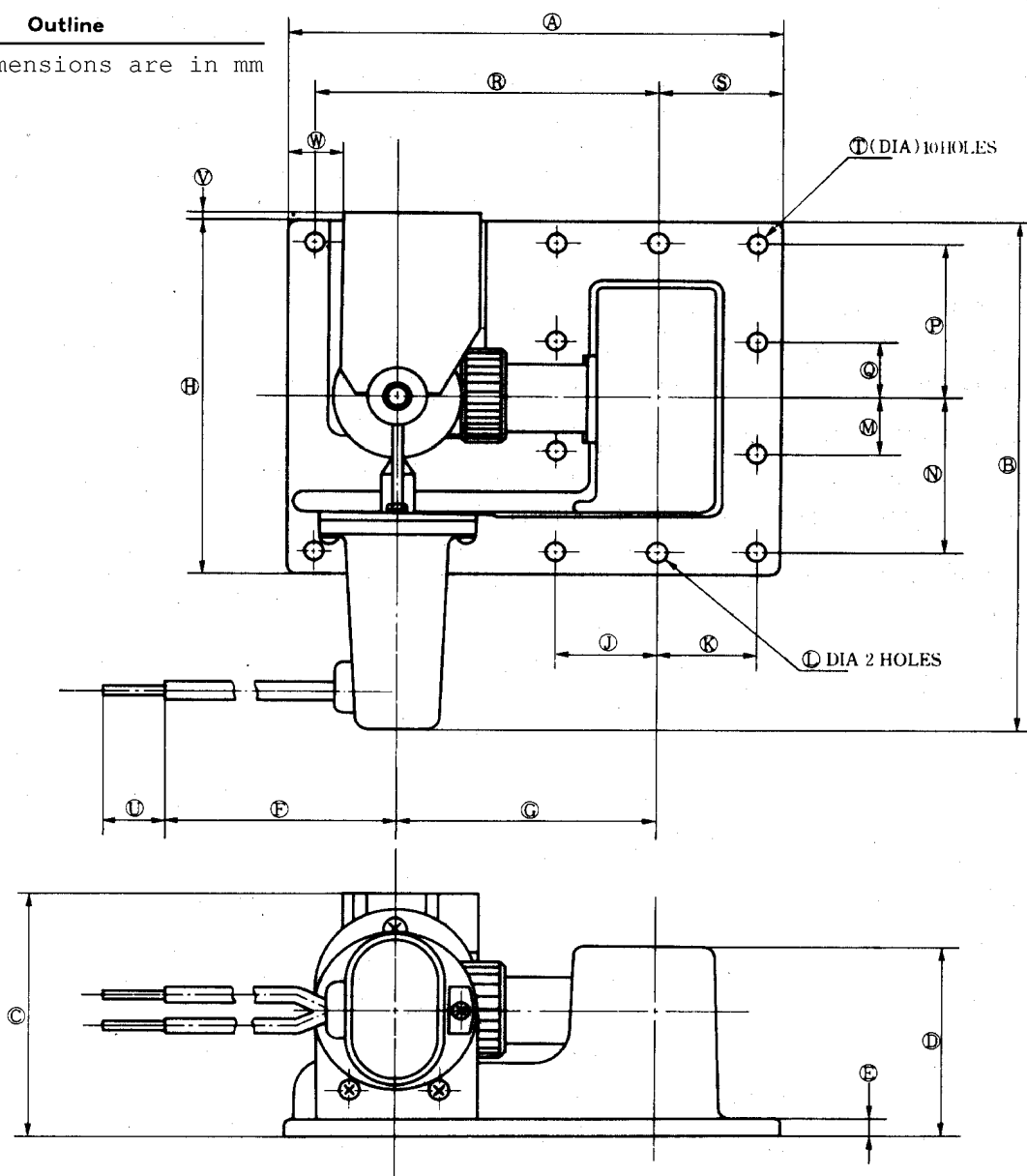
2. Measured at peak anode current 8.0A.

For further information on the use of the magnetron, Please contact New JRC. New JRC reserves the right to change the specification of goods without notice.

M1302A

Outline

Note: Dimensions are in mm



LEAD CONNECTIONS

COLOR	ELEMENT
GREEN	HEATER
YELLOW	HEATER, CATHODE

Outline Dimensions (All dimensions without limits are nominal.)

Ref	Inches	Millimeters	Ref	Inches	Millimeters
A	6.500max	165.1max	M	0.750±0.002	19.050±0.051
B	7.000max	177.8max	N	2.031±0.002	51.587±0.051
C	3.500max	88.90max	P	2.031±0.002	51.587±0.051
D	2.562max	65.07max	Q	0.750±0.002	19.050±0.051
E	0.236	6	R	4.375	111.1
F	11.750~12.50	298.5~311.2	S	1.700	43.18
G	3.250±0.250	82.55 ±6.35	T	0.250~0.251	6.35~6.63
H	4.850max	123.2max	U	0.500	12.70
J	1.281±0.002	32.537±0.051	V	0.197max	5.00max
K	1.281±0.002	32.537±0.051	W	0.629	16
L	0.250~0.251	6.35~6.375			