

S-Band Magnetron

2J70B is a fixed frequency pulsed type S-band magnetron, designed to operate in the frequency range of 3025 to 3075 MHz with a peak output power of 50 kW. It is packaged and coaxial output type and forced air cooled.

---- MAXIMUM RATINGS ----

	Min	Max	Unit
Peak anode current .....	6.0	18.0	A
Perk anode power input .....	-	170	kW
Duty cycle .....	-	0.001	-
Pulse duration .....	-	2.0	µs
Rate of rise of voltage pulse .....	-	130	kV/µs
Anode temperature .....	-	120	°C
V.S.W.R at the output coupler .....	-	1.5:1	-

---- ELECTRICAL ----

	Min	Typical	Max	Unit
Heater voltage (Note 1) .....	5.7	6.3	6.9	V
Preheat time .....	180	-	-	S
Peak anode voltage (Note 2) .....	8.5	9.0	9.5	kV
Peak output power (Note 2) .....	50	-	-	kW
Frequency (Note 2) .....	3025	-	3075	MHz

Note 1: Measured with heater voltage of 6.3V and no anode input power, the heater current limits are 1.1A minimum, 1.4A maximum.

For average pulse input powers greater than 28 watts, the heater voltage must be reduced within 3 seconds after the application of h. t. according to the following schedule:

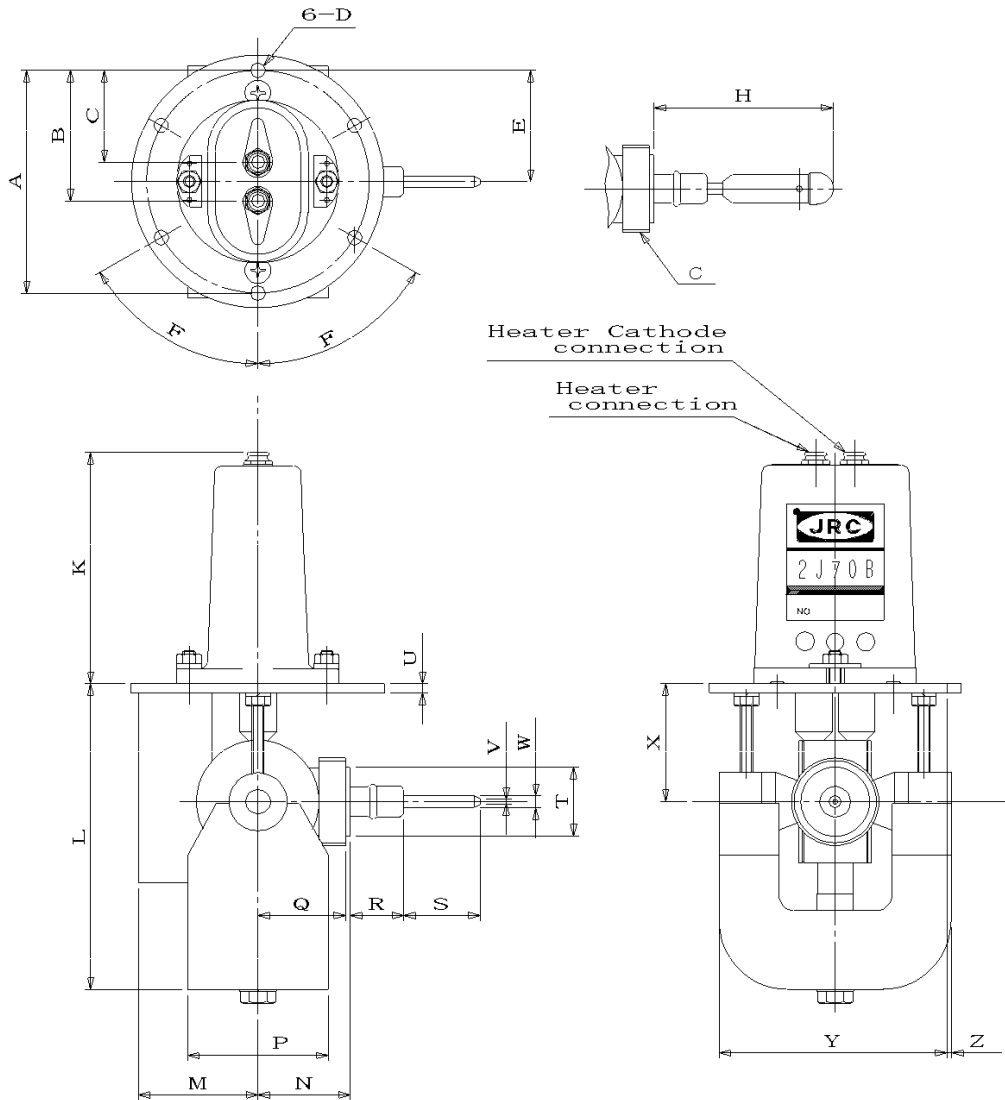
Meat input power(W)	Heater Voltage(V)
Less than 28 .....	6.3
28 to 83 .....	5.0
63 to 140 .....	3.8

Note 2: Measured at peak anode current 16.0A

# 2J70B

## OUTLINE

Note: Dimensions are in mm



A	73.025±0.152
B	42.85
C	30.15
D	4.902±0.076
E	36.53±0.76
F	60° ±12'
G	1 1/18-18NEF-2
H	58.6
J	82.55±0.79

K	75.82±1.57
L	104.8max
M	39.7max
N	28.83±1.14
P	53.98max
Q	28.702max
R	19.20±1.57
S	25.40±1.27
T	22.479±0.05

U	3.175
V	1.588
W	3.759±0.101
X	38.76±0.79
Y	76.5
Z	3.5max