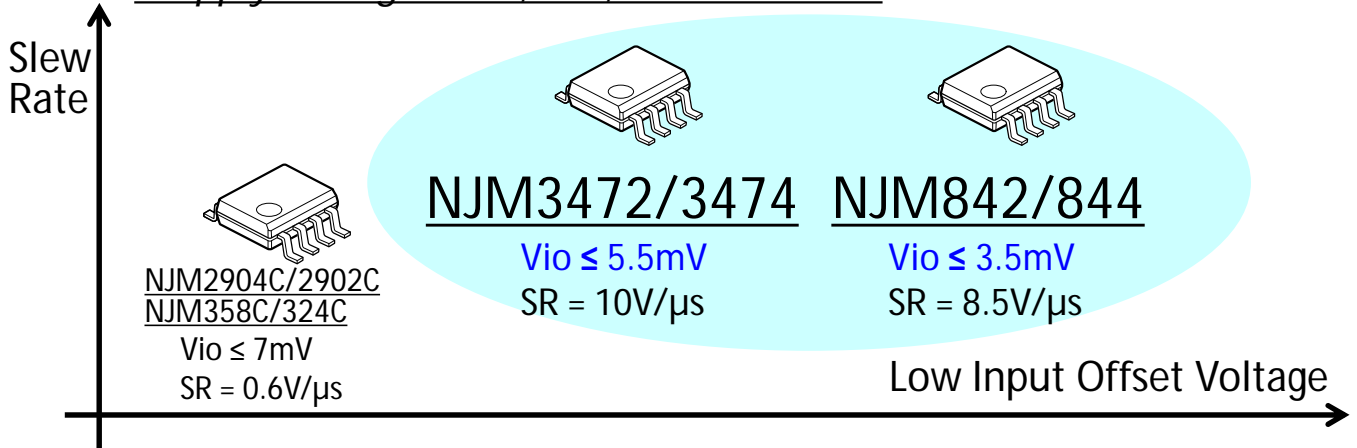


Single Supply High-Speed Op-Amp Series

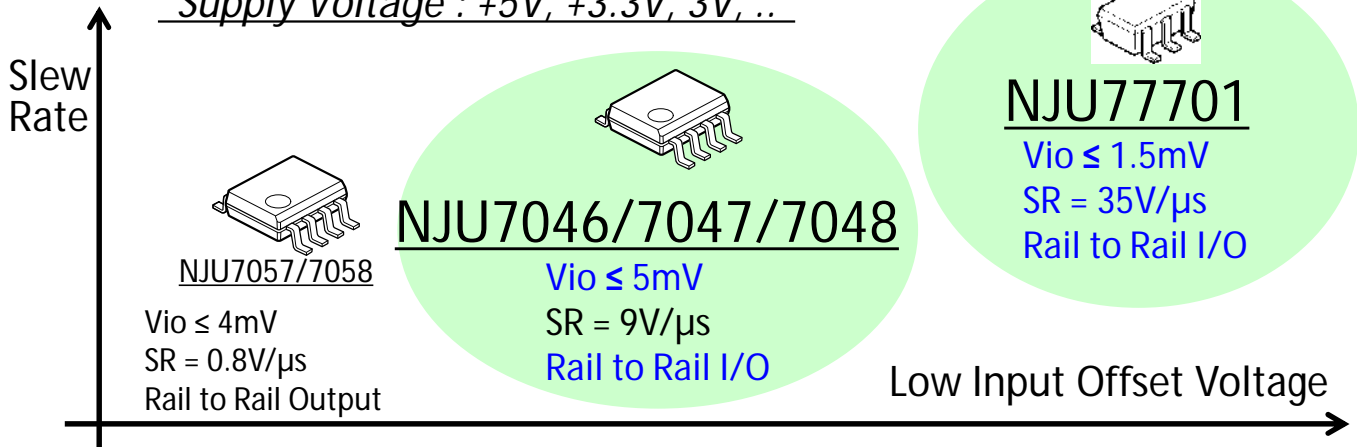
for Home Appliance, General Purpose Inverter and etc.

Line-up

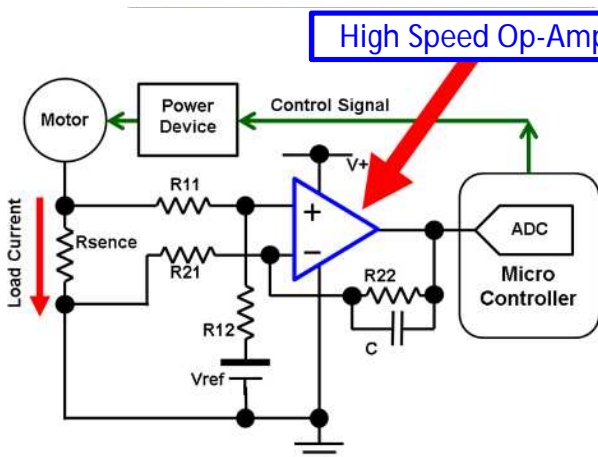
“Supply Voltage : +5V, +24, ±15 and Over”



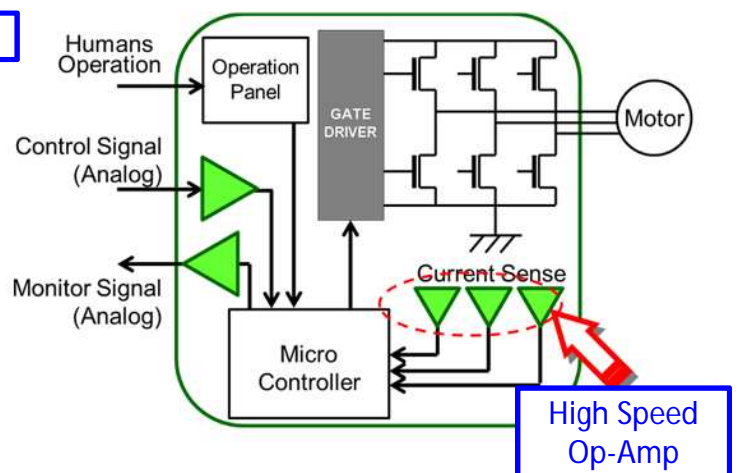
“Supply Voltage : +5V, +3.3V, 3V, ..”



Inverter Application



e.g.) Home Appliance



e.g.) General Purpose Inverter Unit

Single Supply High-Speed Op-Amp Series

Features / Electrical Characteristics

NJM3472, NJM3474

FEATURES

- High Slew Rate 10V/ μ s typ.
- High Bandwidth 3MHz typ.
- Input Offset Voltage 5.5mV max..
- No Phase Reversal
- High EMI Immunity
- Operating Voltage +3 to +36V
- Operating Temperature -40 °C to +125 °C
- Operating Current (All amplifiers)
 - NJM3472 4mA typ.
 - NJM3474 8mA typ.

NJM842, NJM844

FEATURES

- High Slew Rate 8.5V/ μ s typ.
- High Bandwidth 3.5MHz typ.
- Input Offset Voltage 3.5mV max.
- No Phase Reversal
- High EMI Immunity
- Operating Voltage +3 to +36V
- Operating Temperature -40 °C to +125 °C
- Operating Current (All amplifiers)
 - NJM842 4.3mA typ.
 - NJM844 8.8mA typ.

NJU7046, NJU7047, NJU7048

FEATURES

- High Slew Rate 9V/ μ s typ.
- High Bandwidth 5MHz typ.
- Input Offset Voltage 5mV max.
- Rail-to-Rail In/Out
- High EMI Immunity
- Operating Voltage +2.7 to +5.5V
- Operating Temperature -40 °C to +125 °C
- Operating Current (All amplifiers)
 - NJU7046 1.4mA typ.
 - NJU7047 2.7mA typ.
 - NJU7048 5.3mA typ.

NJU77701

FEATURES

- High Slew Rate 35V/ μ s typ.
- High Bandwidth 34MHz typ.
- Input Offset Voltage 1.5mV max.
- Rail-to-Rail In/Out
- High EMI Immunity
- Operating Voltage +2.4 to +5.5V
- Operating Temperature -40 °C to +125 °C
- Operating Current (All amplifiers)
 - NJU77701 3.8mA typ.

Pin Configuration / Package Information

Pin Function						
	SC-88A (SC-70)	SOT-23-5	SOP8	MSOP8 (VSP8)	SOP14	SSOP14
Package	SC-88A (SC-70)	SOT-23-5	SOP8	MSOP8 (VSP8)	SOP14	SSOP14
NJM347x	---	---	NJM3472G	NJM3472R	NJM3474G	NJM3474V
NJM84x	---	---	NJM842G	NJM842R	NJM844G	NJM844V
NJU704x	NJU7046F3	NJU7046F	NJU7047E	NJU7047RB1	NJU7048G	NJU7048V
NJM7770x	---	NJU77701F	---	---	---	---



For further information, visit us at:

<http://www.njr.com/>

•Contact: NJR Corporation

2107 North First Street, Suite 350 San Jose CA 95131
 Phone : 408-321-0200 Fax : 408-232-6060
 Mark Wilcox : mark@njr.com
 Ted Shinohara : ted@njr.com

1. Specifications and product descriptions in this document are subject to change at any time, without notice.
 2. Contact your local office or your distributor to obtain the latest specifications before placing your product order.
 3. For details, please see product data sheets.