

## **Differential Output Video Driver with Short - to - Battery Protection**

### **GENERAL DESCRIPTION**

NJU71094 is differential output video driver that built in short-to-battery protection circuit of up to 18V.

Output capacitor is unnecessary because it built in charge-pump circuit.

Therefore, NJU71094 can protect from more than voltage of IC's operating voltage, and is suitable to CAR CAMERA, CAR AV system and so on.

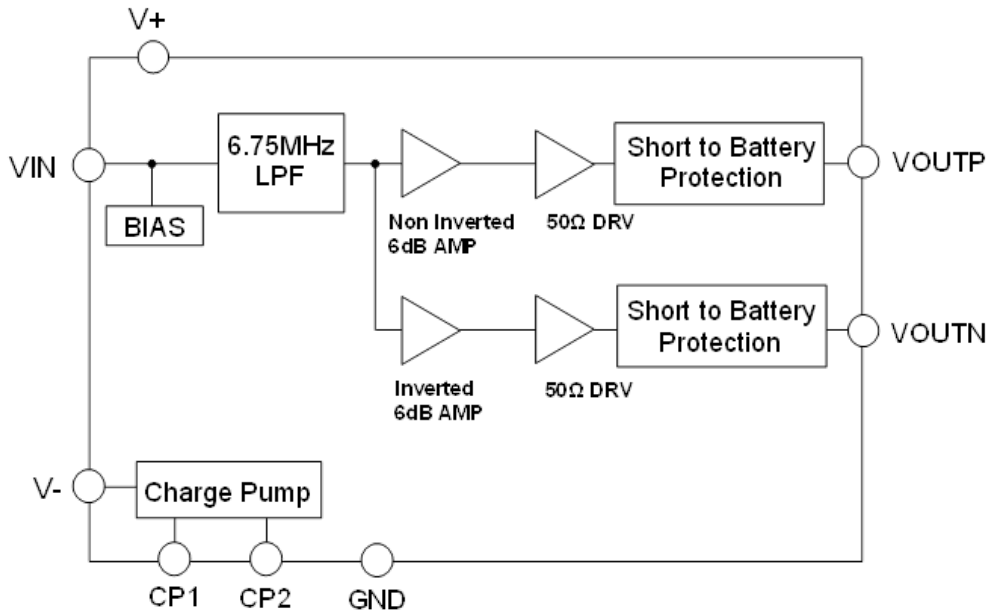
### **TARGET APPLICATION**

- Car Camera
- Car Navigation

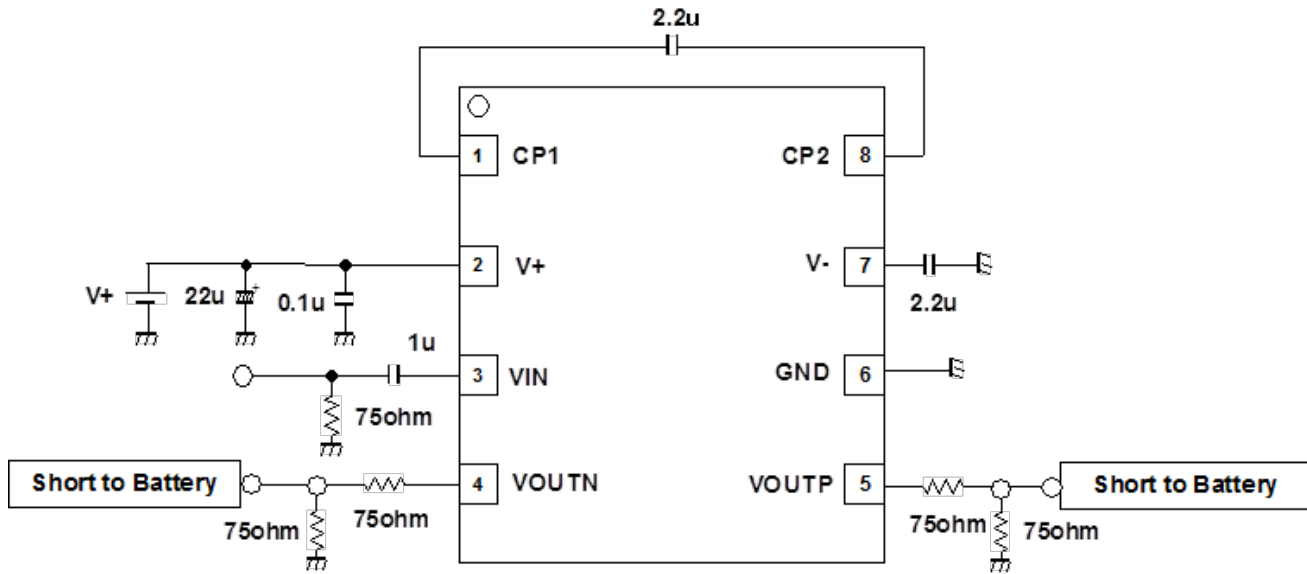
### **FEATURES**

- Operating Voltage 2.65 to 3.45V
- Operating Temperature -40 to +125°C
- Short-to-Battery Protection Circuit of up to 18V
- Output Capacitor is unnecessary
- Differential Output, 6dB Amp. , 75 $\Omega$  Driver
- LPF Characteristics 0dB at 6.75MHz  
-40dB at 27MHz
- CMOS Technology
- Package Outline DFN8-W2 (ESON8-W2 3mm\*3mm)

**BLOCK DIAGRAM**



**APPLICATION CIRCUIT**



Exposed Pad:

Connect the Exposed Pad on land of float, or connect to be the same potential as the IC of the V- terminal.



For further information, visit us at:  
<http://www.njr.com/>

■ Contact: **NJR Corporation**  
 2107 North First Street, Suite 350, San Jose, CA 95131  
 Tel: +1-408-321-0200 Fax: +1-408-232-6060  
 Mark Wilcox : mark@njr.com  
 Ted Shinohara : ted@njr.com