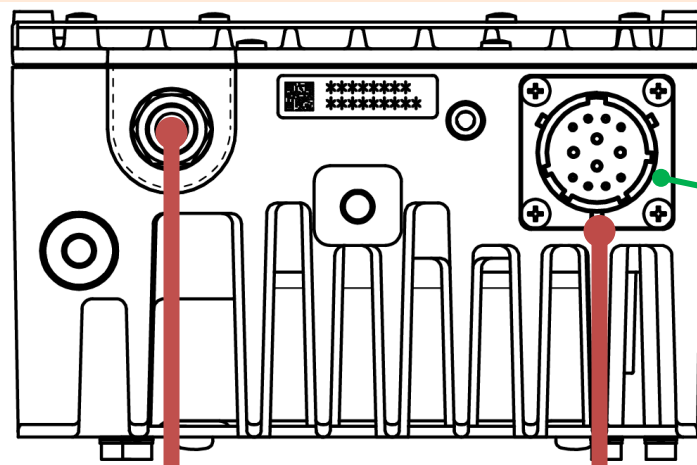


Connection Diagram of NJT8370 series

**Ku GaN 25W BUC:
NJT8370**



a) DC INPUT

10MHz Reference
IF Signal
DC +48V^{*Note1}
FSK-M&C Signal^{*Note2}

DC +48V
RS-232C-M&C Signal^{*Note2}

Satellite Router / Modem

M&C ^{*Note2}
(RS-232C Interface)



**DC Power Supply
+48V / 250 W**

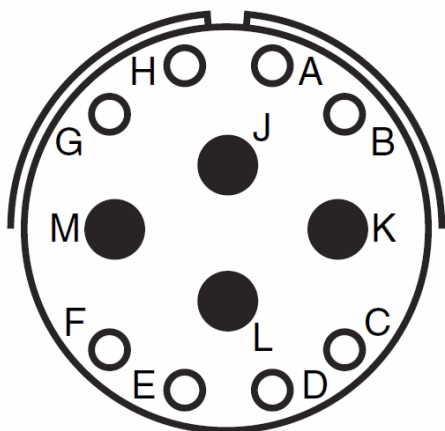
**Note1: MS Connector models are available to apply DC voltage via either MS Connector or IF Connector.*

**Note2: Available to use with FSK-M&C option*

**Note3: Available to use with RS-232C M&C option*

a) DC INPUT at NJT8370 (Ku GaN 25W BUC)

- Product connector: PT02E-14-12P(025) [Amphenol / 12 pins, male]
 - Mating connector: PT06E-14-12S(470) [Amphenol / 12 sockets, female]
- * Mating connector is enclosed in the shipping package of NJT8370*

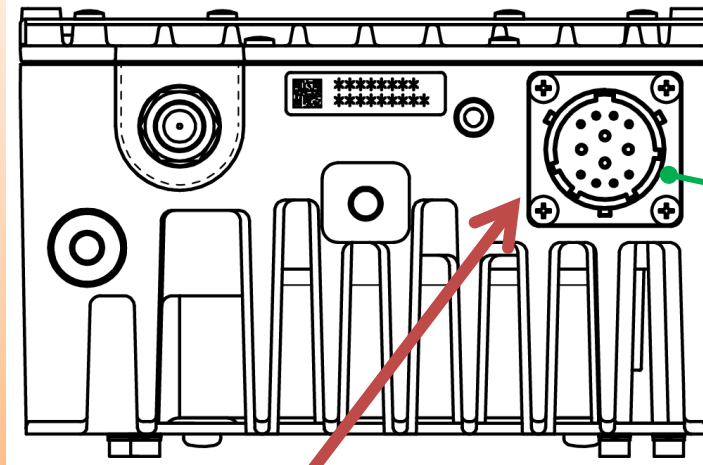


Pin No.	Item	Description
A	N.C.	-
B	N.C.	-
C	N.C.	-
D	N.C.	-
E	RS-232C GND	<i>Available to use with RS-232C M&C option</i>
F	N.C.	-
G	RS-232C TxD	<i>Available to use with RS-232C M&C option</i>
H	RS-232C RxD	<i>Available to use with RS-232C M&C option</i>
J	DC Input (+)	Prime: +36 to +60 V / DC Voltage
K	DC Input (-)	Return: GND
	RS-232C GND	<i>Available to use with RS-232C M&C option</i>
L	N.C.	-
M	N.C.	-

■ Connection Overview

■ between Ku 25W BUC and 250W AC/DC PSU

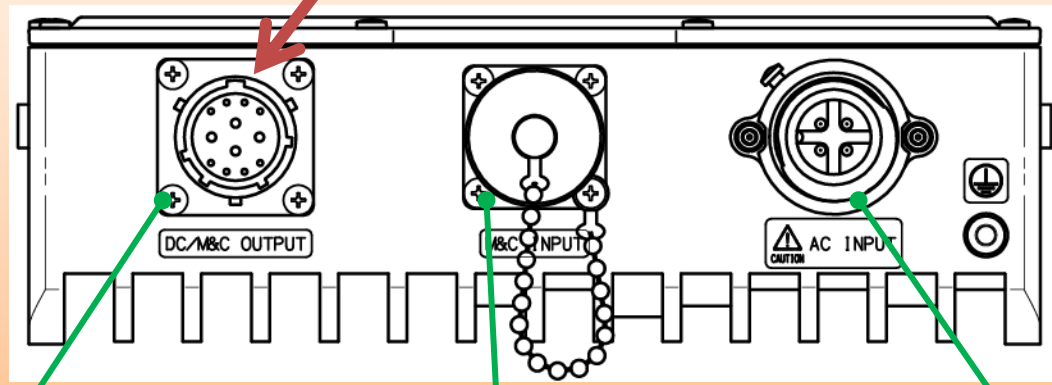
**Ku GaN 25W BUC:
NJT8370**



a) DC INPUT

Connection

**Outdoor 250W
AC/DC PSU:
NJZ1289**



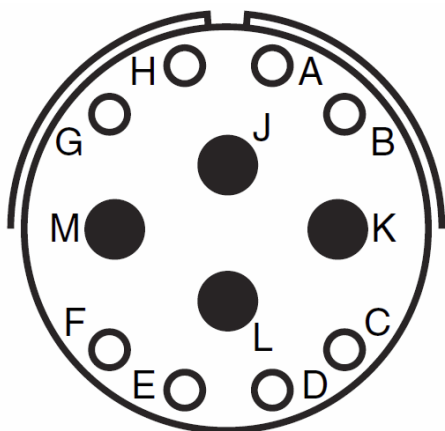
b) DC OUTPUT

c) Option Port

d) AC INPUT

a) DC INPUT at NJT8370 (Ku GaN 25W BUC)

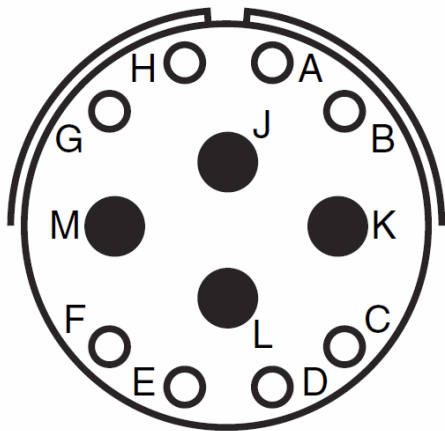
- Product connector: PT02E-14-12P(025) [Amphenol / 12 pins, male]
 - Mating connector: PT06E-14-12S(470) [Amphenol / 12 sockets, female]
- * Mating connector is enclosed in the shipping package of NJT8370*



Pin No.	Item	Description
A	N.C.	-
B	N.C.	-
C	N.C.	-
D	N.C.	-
E	RS-232C GND	<i>Available to use with RS-232C M&C option</i>
F	N.C.	-
G	RS-232C TxD	
H	RS-232C RxD	<i>Available to use with RS-232C M&C option</i>
J	DC Input (+)	Prime: +36 to +60 V / DC Voltage
K	DC Input (-)	Return: GND
	RS-232C GND	<i>Available to use with RS-232C M&C option</i>
L	N.C.	-
M	N.C.	-

b) DC OUTPUT at NJZ1289 (AC/DC PSU)

- Product connector: PT02E-14-12S(025) [Amphenol / 12 sockets, male]
- Mating connector: PT06E-14-12P(470) [Amphenol / 12 pins, female]
 - * *Mating connector is enclosed in the shipping package of NJZ1289*

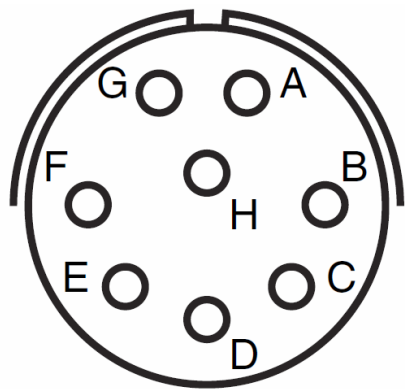


Pin No.	Item	Description
A	By-pass Port	Through Pin A in (c)'s MS connector
B	By-pass Port	Through Pin B in (c)'s MS connector
C	By-pass Port	Through Pin C in (c)'s MS connector
D	By-pass Port	Through Pin D in (c)'s MS connector
E	By-pass Port	Through Pin E in (c)'s MS connector
F	By-pass Port	Through Pin F in (c)'s MS connector
G	By-pass Port	Through Pin G in (c)'s MS connector
H	By-pass Port	Through Pin H in (c)'s MS connector
J	DC Output (+)	Prime: +48V typical, DC Voltage
K	DC Output (-)	Return: GND
L	N.C.	-
M	N.C.	-

c) Option Port at NJZ1289 (AC/DC PSU)

- Product connector: PT02E-12-8P(025) [Amphenol / 8 pins, male]
- Mating connector: PT06E-12-8S(470) [Amphenol / 8 sockets, female]

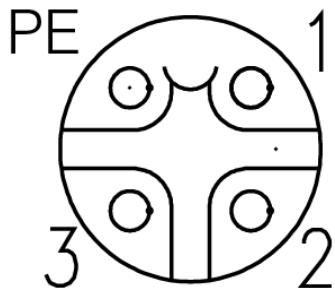
** Product connector is covered by the waterproof cap.*



Pin No.	Item	Description
A	By-pass Port	Through Pin A in (b)'s MS connector
B	By-pass Port	Through Pin B in (b)'s MS connector
C	By-pass Port	Through Pin C in (b)'s MS connector
D	By-pass Port	Through Pin D in (b)'s MS connector
E	By-pass Port	Through Pin E in (b)'s MS connector
F	By-pass Port	Through Pin F in (b)'s MS connector
G	By-pass Port	Through Pin G in (b)'s MS connector
H	By-pass Port	Through Pin H in (b)'s MS connector

d) AC INPUT at NJZ1289 (AC/DC PSU)

- Product connector: C016 20C003 200 12 [Amphenol / 3 pins + PE, male]
- Mating connector: C016 20D003 210 12 [Amphenol / 3 sockets + PE, female]
** Mating connector is enclosed in the shipping package of NJZ1289*



Pin No.	Item	Description
1	L (Live)	100 to 240 V, AC Voltage
2	N (Neutral)	100 to 240 V, AC Voltage
3	N.C.	-
PE	FG	GND

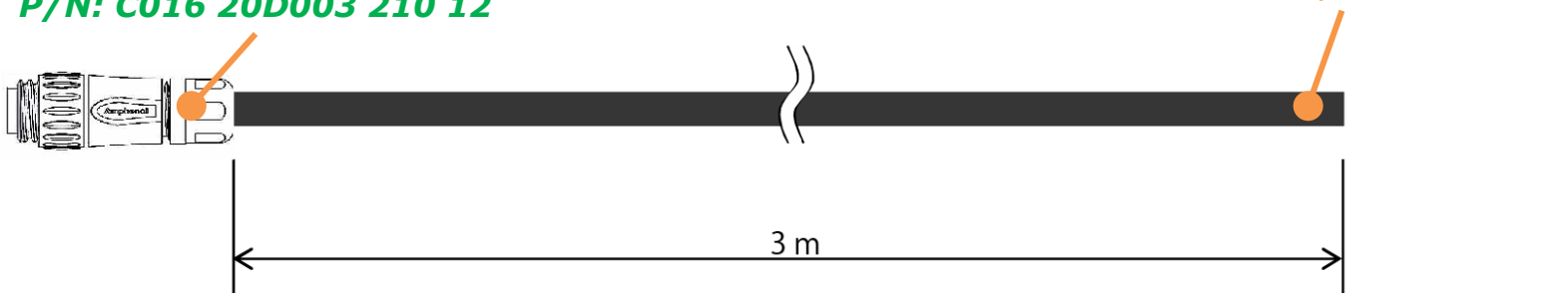
Cable Option: NJZ1290A01

- Cable between NJZ1289(250W AC/DC PSU) and AC Outlet
Weatherized Cable / Length: 3m / AC Mating Connector assembled
/ No assembly in AC Outlet Side

Mating Connector of "d) AC INPUT (NJZ1289)"

P/N: C016 20D003 210 12

No assembly for AC Outlet

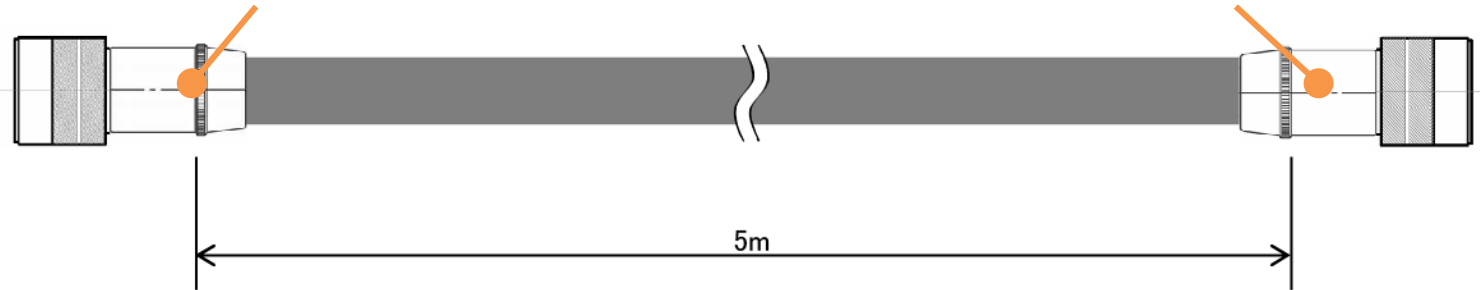


Cable Option: NJZ1290A02

- Connection Cable between NJT8370(Ku GaN 25W BUC) and NJZ1289(250W AC/DC PSU)
Weatherized Cable / Length: 5m / Two Mating Connectors assembled

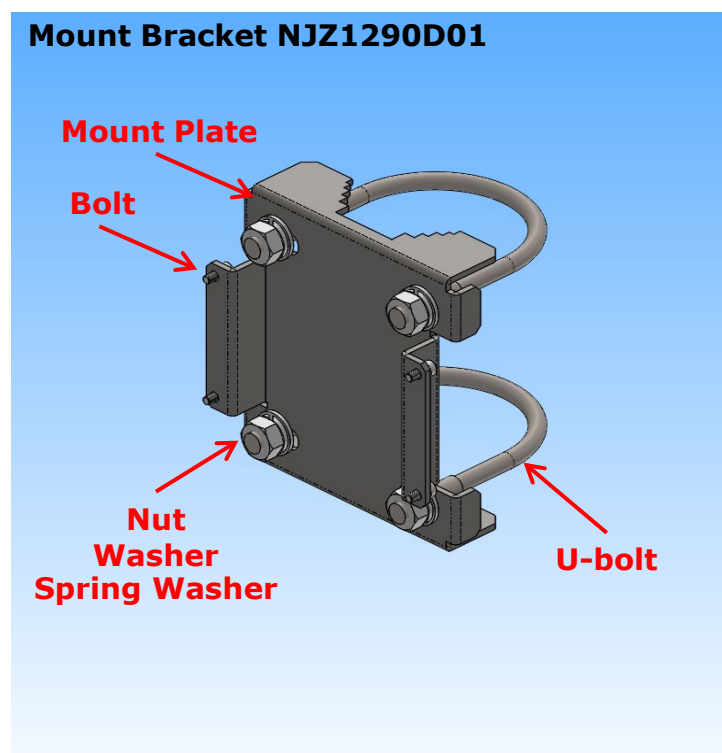
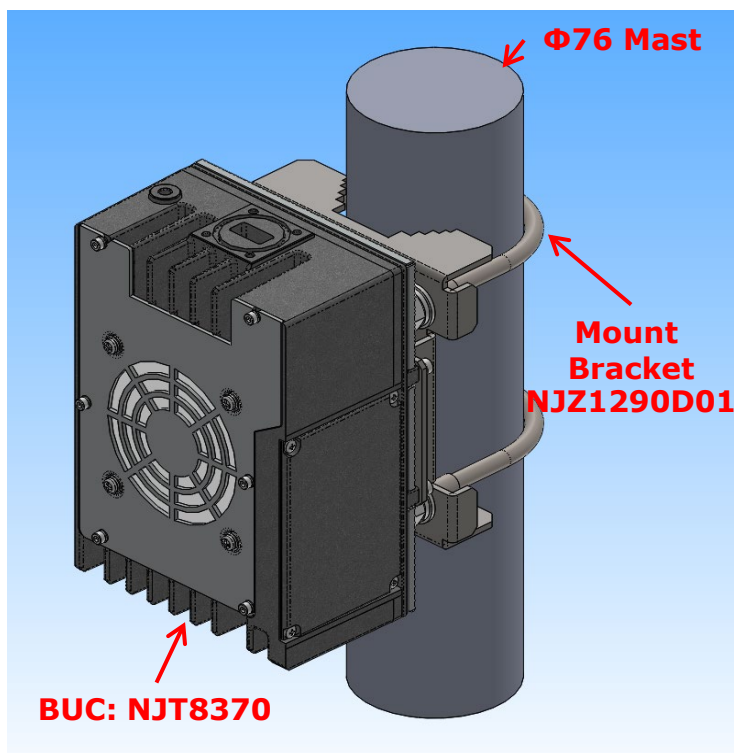
Mating Connector of "a) DC INPUT (NJT8370)"
P/N: PT06W-14-12S(470)

Mating Connector of "b) DC OUTPUT (NJZ1289)"
P/N: PT06W-14-12P(470)



Φ76 Mast Mount Bracket for NJT8370

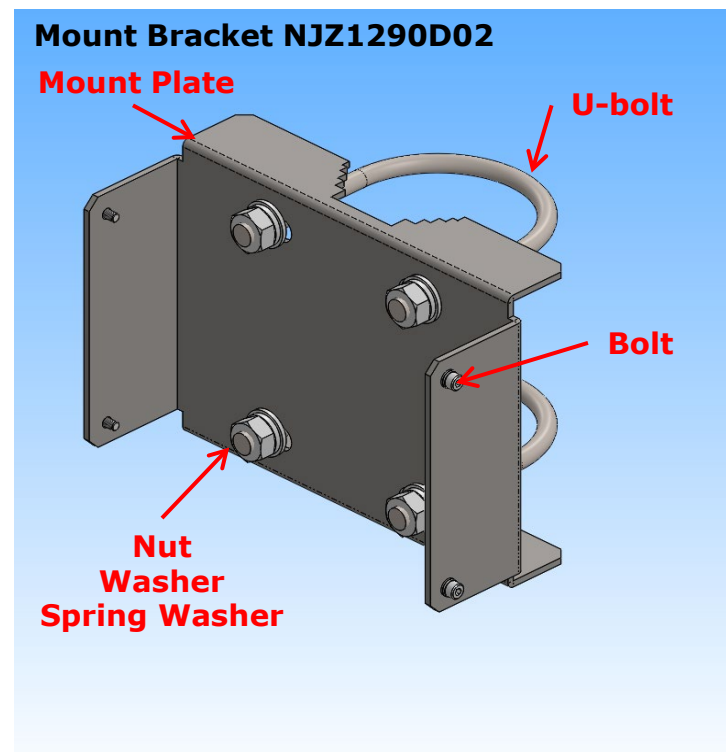
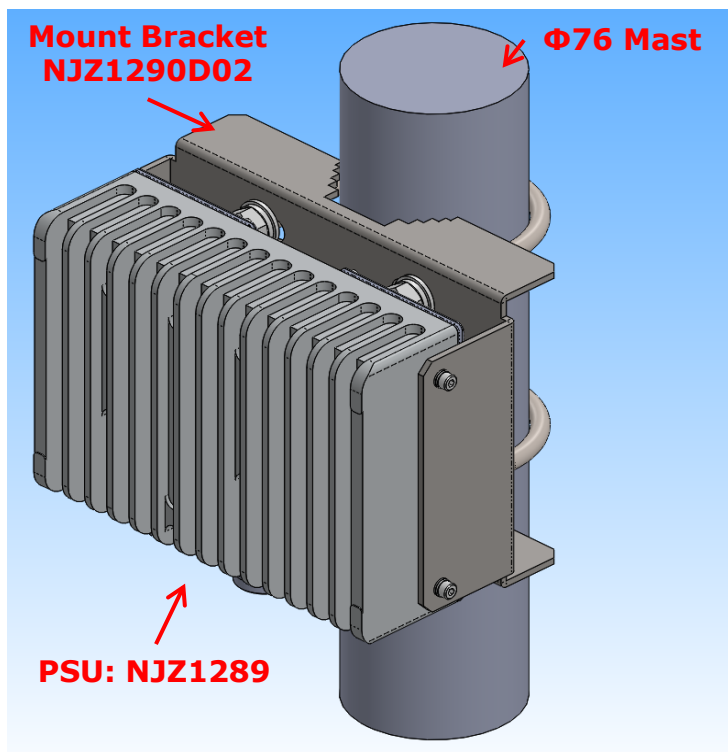
P/N: NJZ1290D01



Item	Qty	Description
Mount Plate	1	SUS
Bolt	4	SUS, M4, with W & SW, for fixing BUC
U-bolt	2	SUS, 65A(2-1/2"), M10
Nut	4	SUS, M10
Washer	4	SUS, for M10
Spring Washer	4	SUS, for M10

Φ76 Mast Mount Bracket for NJZ1289

P/N: NJZ1290D02



Item	Qty	Description
Mount Plate	1	SUS
Bolt	4	SUS, M4, with W & SW, for fixing PSU
U-bolt	2	SUS, 65A(2-1/2"), M10
Nut	4	SUS, M10
Washer	4	SUS, for M10
Spring Washer	4	SUS, for M10