

Date

Dec. 27, 2018

**Released**

**Cathode**  
**Model No. NJK1120A**

**Copyright© 2018**  
**New Japan Radio Co., Ltd.**  
**Microwave Division**

-Notice of Proprietary Information-

This document and its contents are proprietary to New Japan Radio Co., Ltd.  
This publication and its contents may not be reproduced or distributed for any other purpose  
without the written permission of New Japan Radio Co., Ltd.  
Those specifications listed in this document are subject to change at any time, without notice.

New Japan Radio Co., Ltd.  
Microwave Division

Title:

Datasheet of NJK1120A

Reference No.:

DS-NJK1120A

Rev.:

05E

Sheet:

1/2

## GENERAL DESCRIPTION

NJK1120A is a cathode includes the Ir coated dispenser cathode.

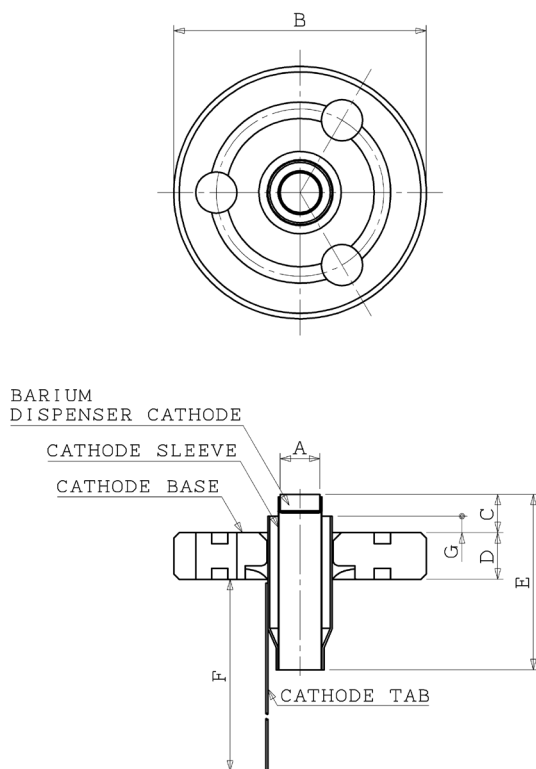
## CATHODE SPECIFICATIONS

Cathode type: Ir coated dispenser cathode  
 Cathode diameter: 1.5 mm / Area: 0.018 cm<sup>2</sup>  
 Current density: 10 A/cm<sup>2</sup> minimum  
 Heater voltage (Note): 6.3 V  
 Heater current (Note): 0.3 A

\*Note: Heater NJK1140(Optional) installed.



## OUTLINE



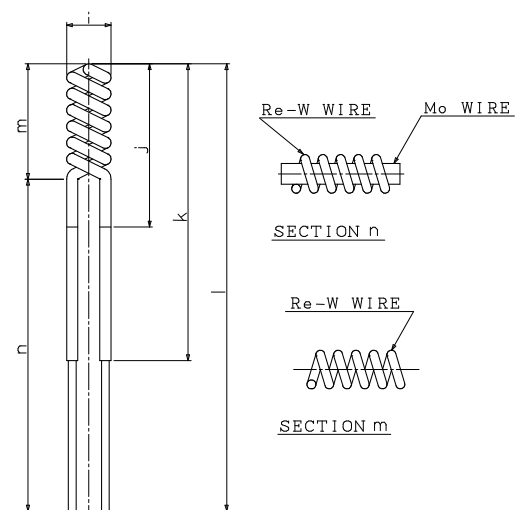
DEMENSIONS	Unit : mm
A	φ1.45
B	φ9.2
C	1.4
D	1.7
E	6.4
F	15
G	0.7max

## NJK1140

### OPTION

### Heater

#### OUTLINE



DEMENSIONS	Unit : mm
i	φ1.5 $-0.1$
j *1	5.5 ±1.5
k *2	10 ±1.5
l	15 ±1

\*1: Al<sub>2</sub>O<sub>3</sub> Black COATING SECTION  
 \*2: Al<sub>2</sub>O<sub>3</sub> COATING SECTION

\* Above Specifications are subject to change without notice.