

General Description

NJRC delivers ICs in 4 methods, plastic tube container, two kinds of Taping, tray and vinyl bag packing. Except adhesive tape treated anti electrostatic and contain carbon are using as the ESD (Electrostatic Discharge Damage) protection.

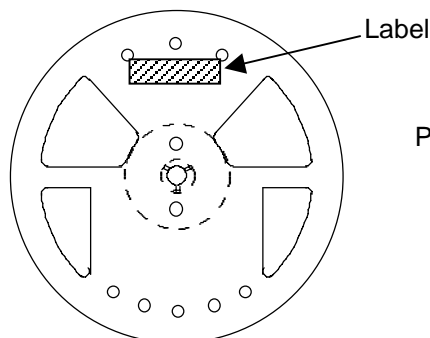
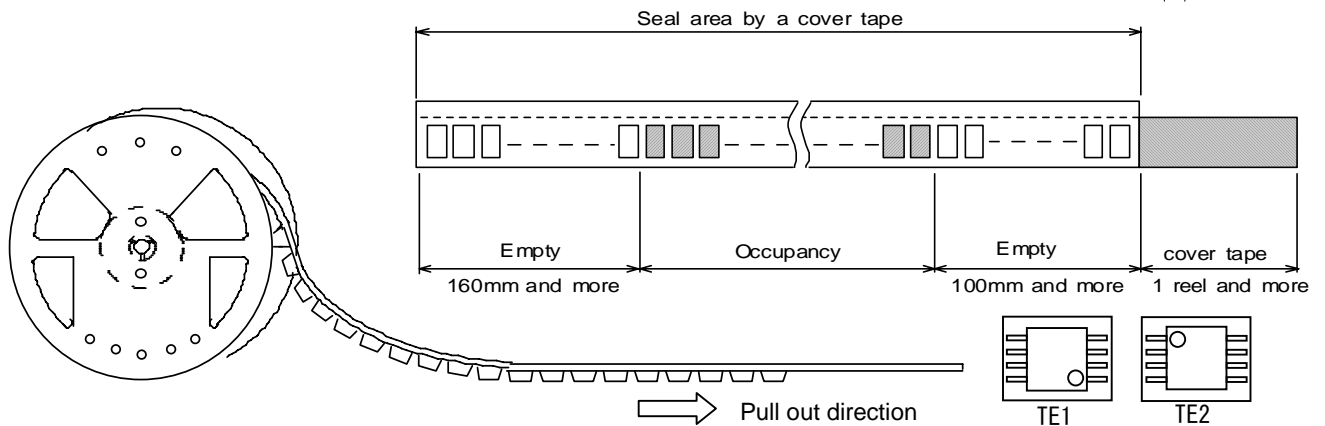
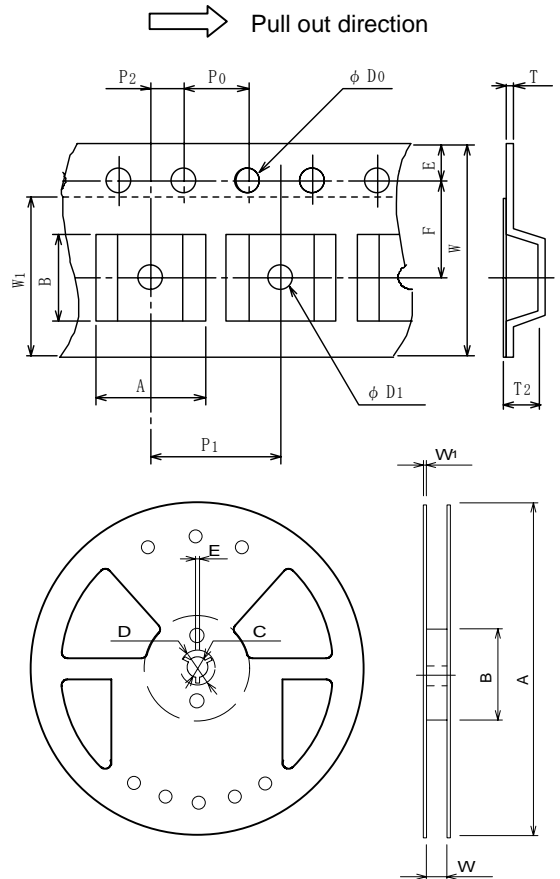
SSOP Emboss Taping (TE1/TE2)

Symbol	SSOP8/10/ SSOP8-A3	SSOP14/16/ SSOP20-B2	SSOP20/ SSOP20-C3/ SSOP24-C2	Remark
A	6.7	6.95	6.7	Bottom size
B	3.9	5.4	6.9	Bottom size
D ₀	1.55±0.05	1.55±0.05	1.55±0.05	
D ₁	1.55±0.1	1.55±0.1	1.55±0.1	
E	1.75±0.1	1.75±0.1	1.75±0.1	
F	5.5±0.05	5.5±0.05	5.5±0.05	
P ₀	4.0±0.1	4.0±0.1	4.0±0.1	
P ₁	8.0±0.1	8.0±0.1	8.0±0.1	
P ₂	2.0±0.05	2.0±0.05	2.0±0.05	
T	0.3±0.05	0.3±0.05	0.3±0.05	
T ₂	1.9	1.9	1.9	
W	12.0±0.3	12.0±0.3	12.0±0.3	
W ₁	9.5	9.5	9.5	Thickness 0.1MAX

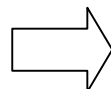
Unit : mm

Symbol	SSOP8/10/ SSOP8-A3	SSOP14/16/ SSOP20-B2	SSOP20/ SSOP20-C3/ SSOP24-C2
A		Ø254±2	
B		Ø100±1	
C		Ø13±0.2	
D		Ø21±0.8	
E		2±0.5	
W		13.5±0.5	
W ₁		2±0.2	
Contents		2,000 pcs	

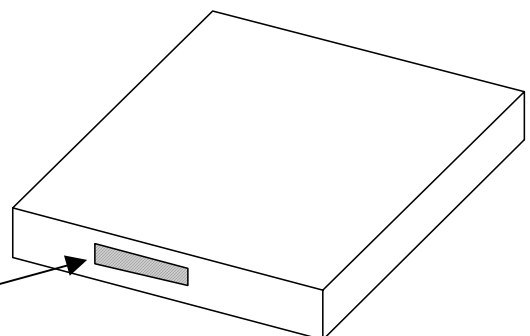
Unit : mm



Put in the outer box



Label

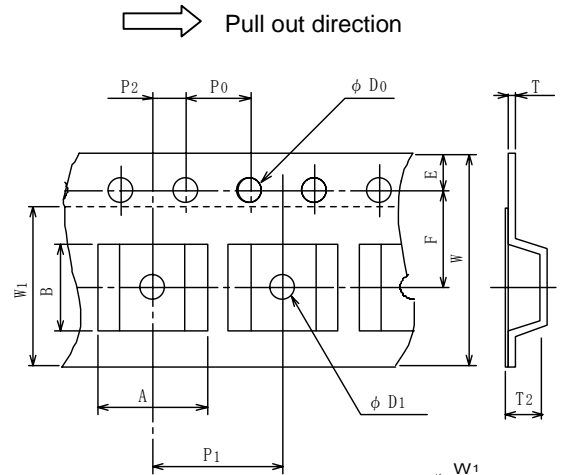


PACKING SPECIFICATION

SSOP Emboss Taping (TE1/TE2)

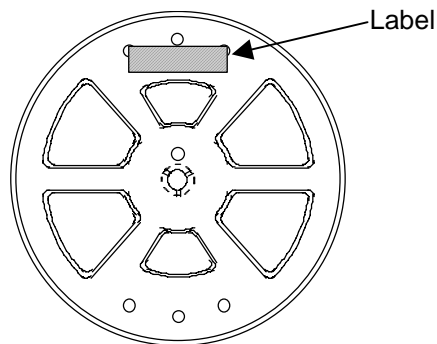
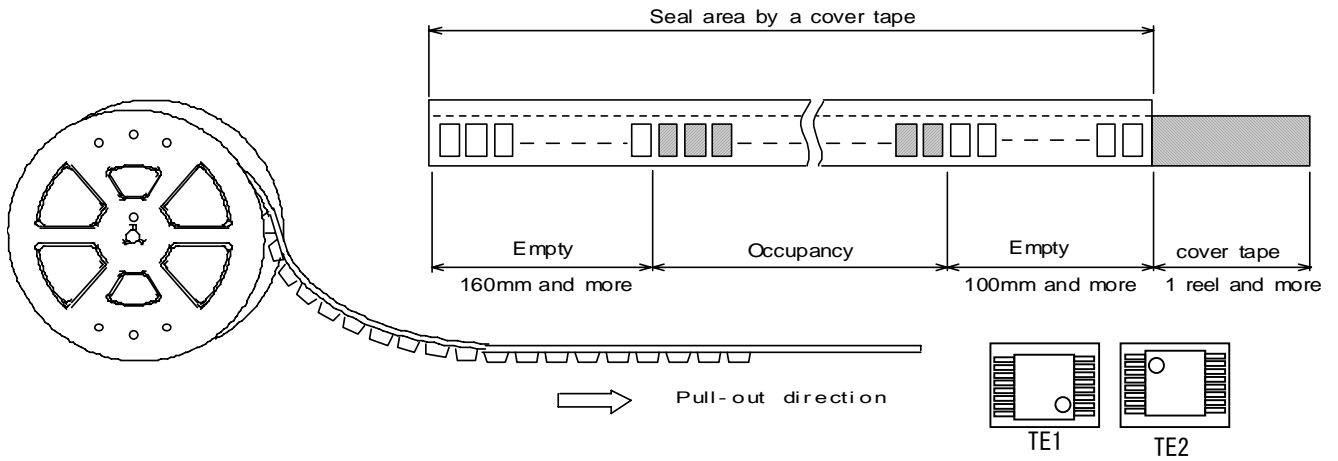
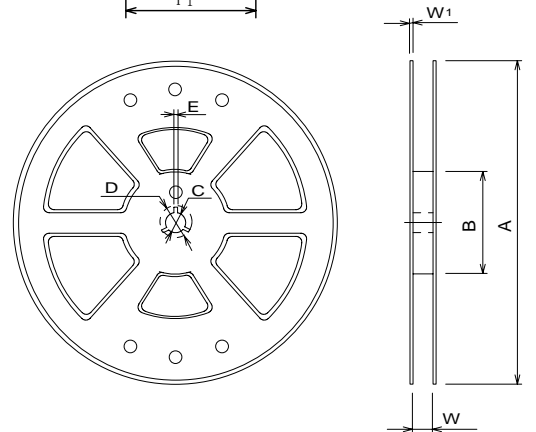
Symbol	SSOP20-F1	SSOP24	SSOP24-E1	SSOP28
A	8.4±0.1	8.3±0.1	8.15	8.1±0.1
B	9.3±0.1	10.6±0.1	8.4	10.1±0.1
D ₀	1.55±0.05	1.55±0.05	1.55±0.05	1.55±0.05
D ₁	1.55±0.05	2.05±0.05	1.55±0.05	1.55±0.05
E	1.75±0.1	1.75±0.1	1.75±0.1	1.75±0.1
F	7.5±0.05	7.5±0.05	7.5±0.05	7.5±0.05
P ₀	4.0±0.1	4.0±0.1	4.0±0.1	4.0±0.1
P ₁	12.0±0.1	12.0±0.1	12.0±0.1	12.0±0.1
P ₂	2.0±0.05	2.0±0.05	2.0±0.05	2.0±0.05
T	0.3±0.05	0.3±0.05	0.3±0.05	0.3±0.05
T ₂	2.57	2.47	2.07	1.97
W	16.0±0.3	16.0±0.3	16.0±0.3	16.0±0.3

Unit : mm

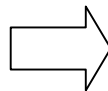


Symbol	SSOP20-F1	SSOP24	SSOP24-E1	SSOP28
A			$\phi 330 \pm 2$	
B			$\phi 80 \pm 1$	
C			$\phi 13 \pm 0.2$	
D			$\phi 21 \pm 0.8$	
E			2±0.5	
W			17.5±0.5	
W ₁			2±0.2	
Contents			2,000 pcs	

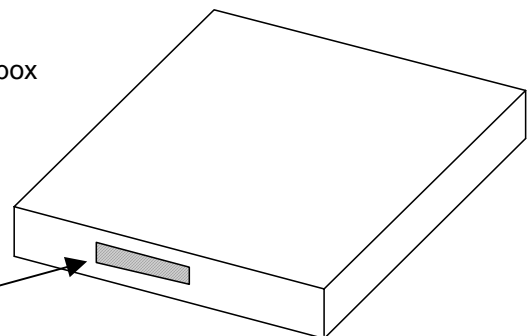
Unit : mm



Put in the outer box



Label

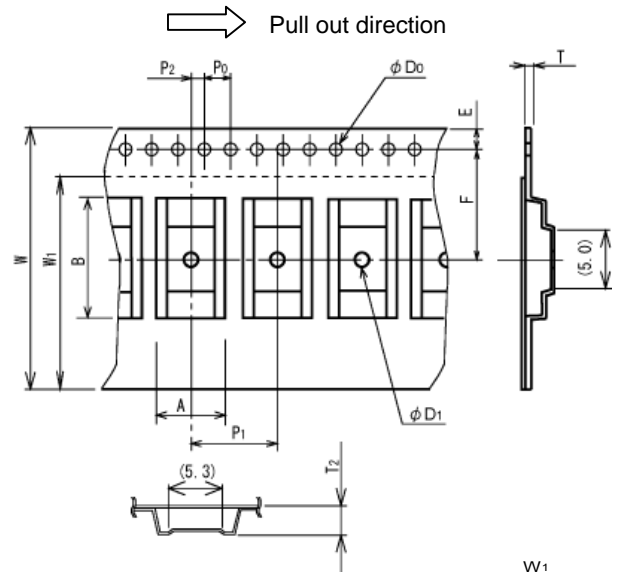


PACKING SPECIFICATION

SSOP Emboss Taping(TE1/TE2)

Symbol	SSOP32/44	Remark
A	8.4±0.1	
B	11.35±0.1	
D ₀	1.50+0.1/-0	
D ₁	2.00+0.1/-0	
E	1.75±0.1	
F	11.50±0.1	
P ₀	4.00±0.1	
P ₁	12.0±0.1	
P ₂	2.00±0.1	
T	0.30±0.05	
T ₂	2.2	
W	24.00±0.3	
W ₁	21.0±0.1	Thickness 0.1MAX

Unit : mm



Symbol	SSOP32/44
A	∅330±2
B	∅80±1
C	∅13±0.5
D	∅21±0.8
E	2±0.5
W	25.5±1.0
W ₁	2
Contents	2,000 pcs

Unit : mm

