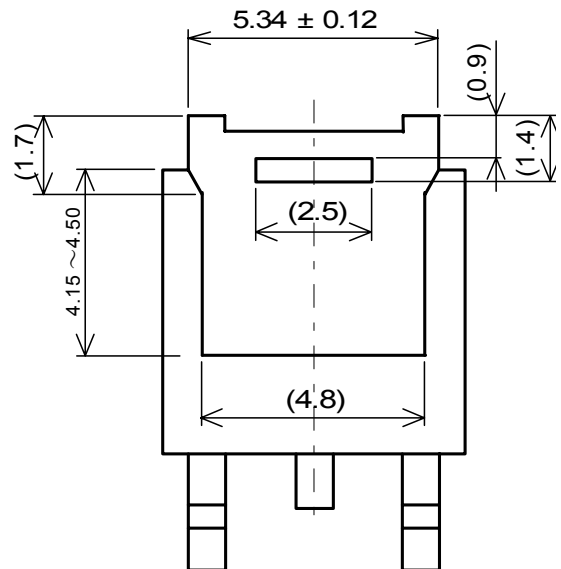
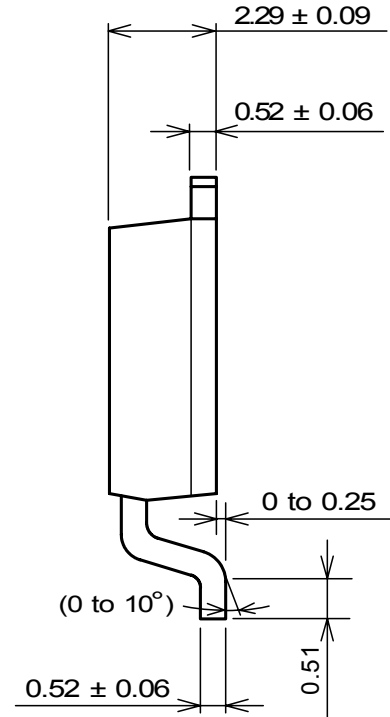
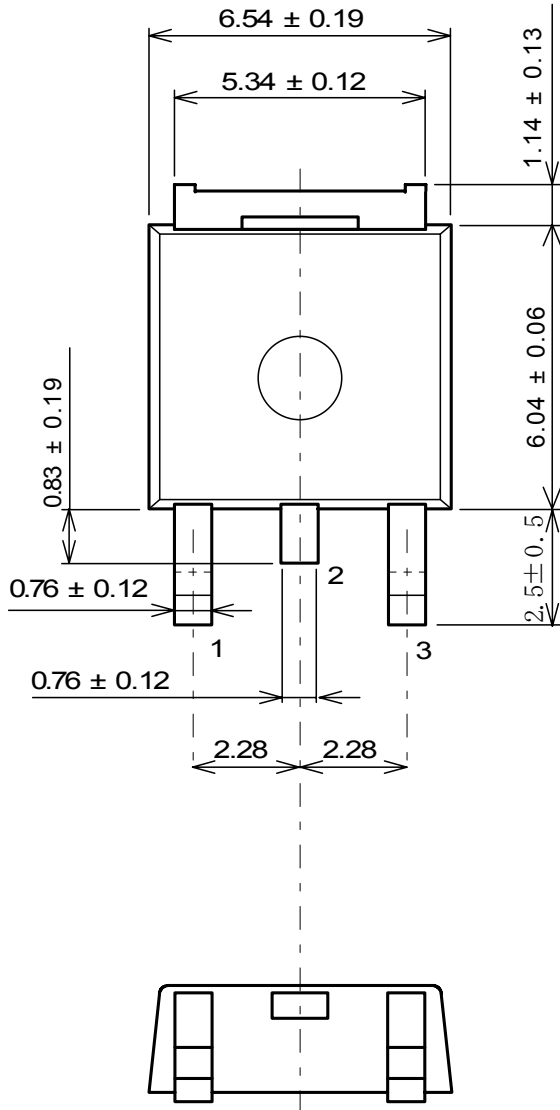


TO-252-3-L1



UNIT : mm