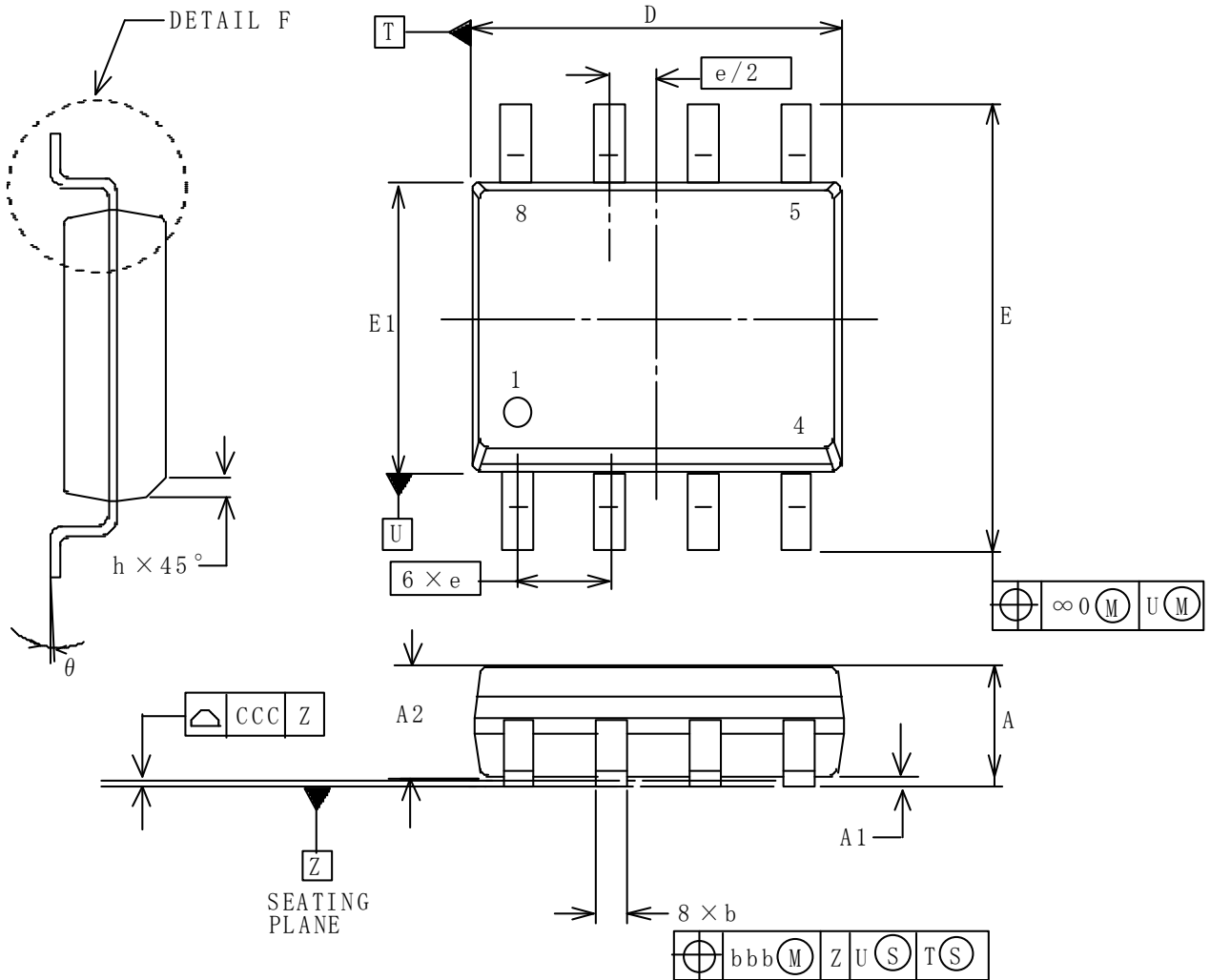
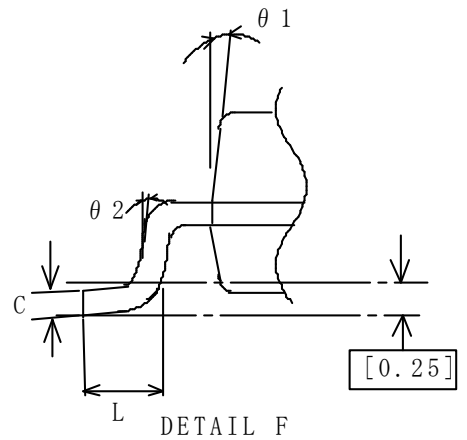


SOP8



DESCRIPTION	SYMBOL	INCH			MILLIMETER		
		MIN	NCM	MAX	MIN	NCM	MAX
TOTAL THICKNESS	A	.053		.069	1.35		1.75
STAND OFF	A1	.004		.010	0.10		0.25
MOLD THICKNESS	A2	.049		-	1.25		-
LEAD WIDTH	b	.014		.019	0.35		0.49
L/F THICKNESS	C	.007		.010	0.19		0.25
BODY SIZE	D	.189		.197	4.80		5.00
	E1	.150		.157	3.80		4.00
	E	.228		.244	5.80		6.20
LEAD PITCH	e	.050 BSC			1.27 BSC		
	L	.015		.049	0.40		1.25
	h	.010		.020	0.25		0.50
	θ	0°		7°	0°		7°
	$\theta 1$	5°		15°	5°		15°
	$\theta 2$	2°		7°	2°		7°
LEAD EDGE OFFSET	$\infty 0$.010			0.25		
LEAD OFFSET	bbb	.010			0.25		
COPLANARITY	CCC	.004			0.10		



UNIT :Inch / mm