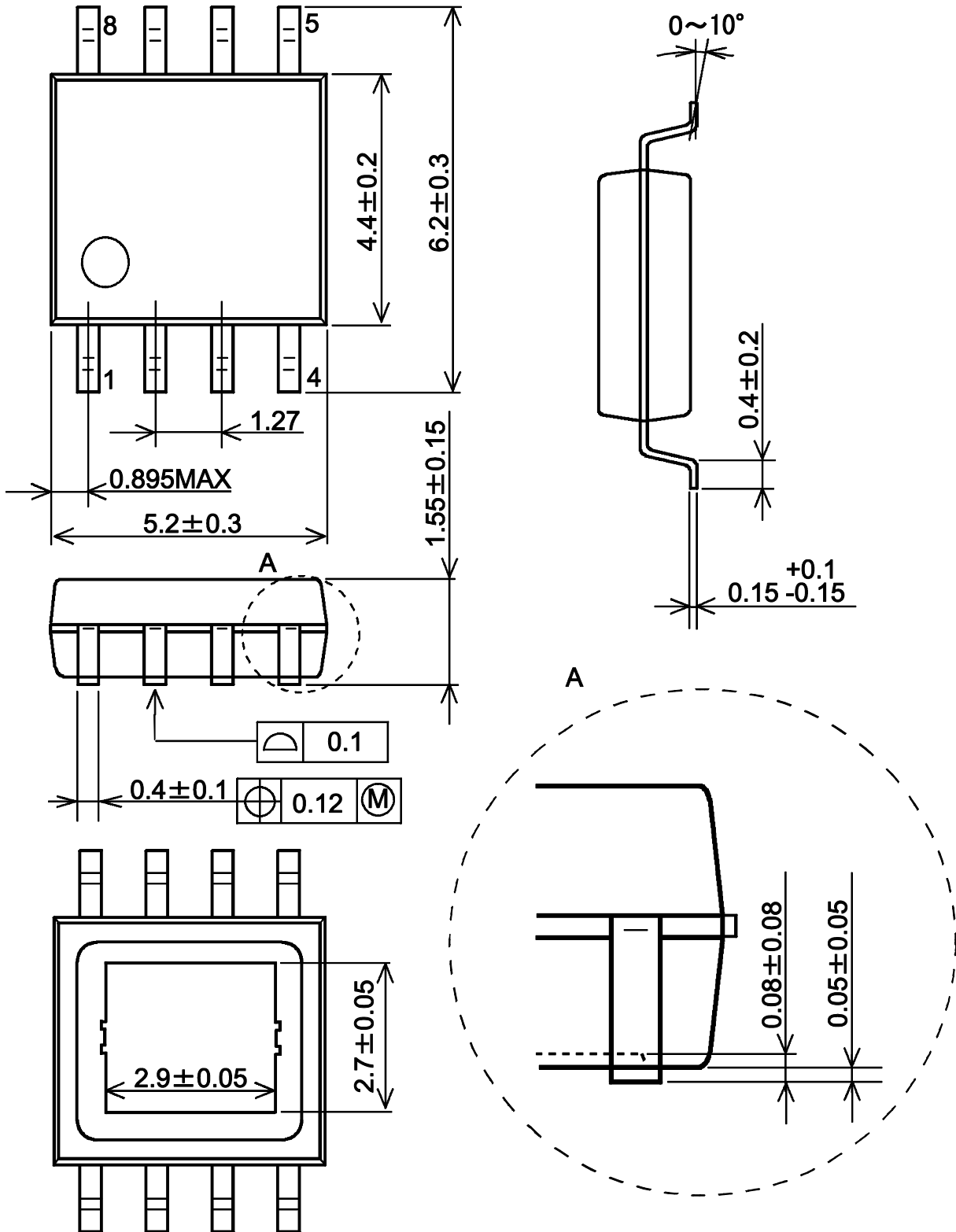


HSOP-8



G D - G 0 0 8 0 2 P - 0
UNIT : mm