
Designated client product

This product will be discontinued its production in the near term.
And it is provided for customers currently in use only, with a time limit.
It can not be available for your new project. Please select other new or existing products.

For more information, please contact our sales office in your region.

New Japan Radio Co.,Ltd.

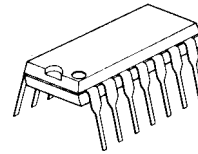
www.njr.com

PRECISION VOLTAGE REGULATOR

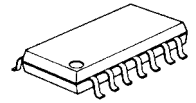
■ GENERAL DESCRIPTION

The NJM723 is a Precision Monolithic Voltage Regulator. The device consists of a temperature-compensated Voltage reference, error amplifier, power-series pass transistor and current-limit circuitry. Additional NPN or PNP pass elements may be used when output currents exceeding 150mA are required. In addition to the above, the device features low standby current drain, low temperature drift and high ripple rejection. The NJM723 is intended for use with positive or negative supplies as a series, shunt, switching of floating instrument power supplies, and other power supplies for digital and linear circuits.

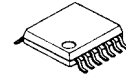
■ PACKAGE OUTLINE



NJM723D



NJM723M

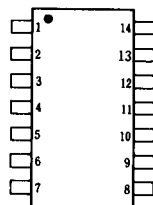


NJM723V

■ FEATURES

- Operating Voltage (12V to 40V)
- 150mA output current without external pass transistor
- Output currents in excess of 10A possible by adding external
- Input voltage 40V max
- Output voltage adjustable from 2V to 37V
- Can be used as either a linear or a switching regulator.
- Package Outline DIP14, DMP14, SSOP14
- Bipolar Technology

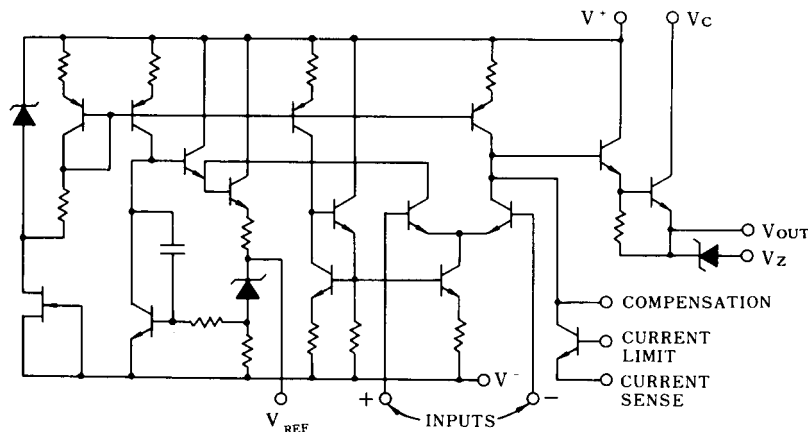
■ PIN CONFIGURATION



1	NC	8	NC
2	Current Limit	9	V _Z
3	Current Sense	10	V _{out}
4	- Input	11	V _c
5	+ Input	12	V ⁺
6	V _{REF}	13	COMP
7	V ⁻	14	NC

NJM723D
NJM723M
NJM723V

■ EQUIVALENT CIRCUIT



NJM723

■ ABSOLUTE MAXIMUM RATINGS

(T_a=25°C)

PARAMETER	SYMBOL	RATINGS	UNIT
Supply Voltage	V ⁺ /V	40	V
Dropout Voltage	ΔV _{IO}	40	V
Differential Input Voltage	V _{IN} (diff)	±5	V
Output Current	I _o	150	mA
Power Dissipation	P _D	(DIP8) 700 (DMP8) 700 (note) (SSOP8) 450 (note)	mW mW mW
Current from V _{REF}	I _{REF} (V _{REF})	15	mA
Operating Temperature Range	T _{opr}	-20 to +75	°C
Storage Temperature Range	T _{stg}	-40 to +125	°C

(note) At on PC board

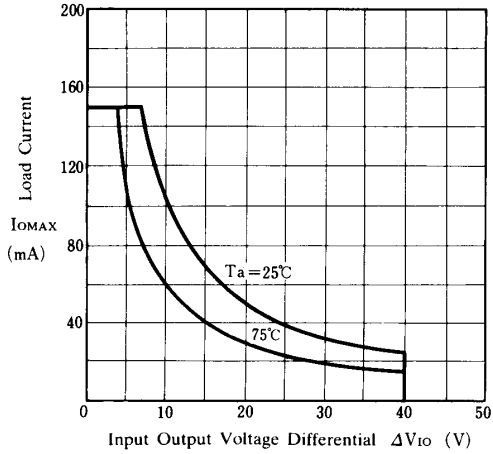
■ ELECTRICAL CHARACTERISTICS

(T_a=25°C, V⁺=V_C=12V, V=0V, V₀=5V, R_{SC}=0, C_I=100pF, C_{REF}=0, I_L=1mA)

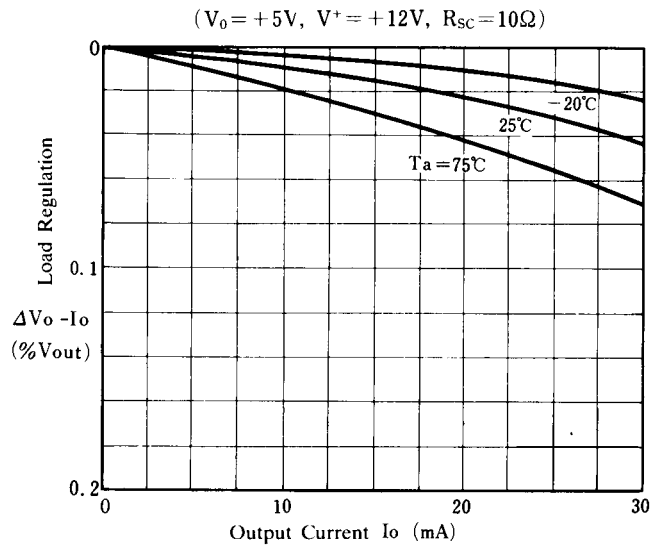
PARAMETER	SYMBOL	TEST CONDITION	MIN.	TYP.	MAX.	UNIT
Line Regulation	ΔV _{IO} - V _{IN}	V _{IN} = 12 to 15V	-	0.01	0.1	%V _{OUT}
		V _{IN} = 12 to 40V	-	0.1	0.5	%V _{OUT}
Load Regulation	ΔV _O - V _O	I _o = 1 to 50mA	-	0.03	0.2	%V _{OUT}
Ripple Rejection	RR	f = 50 to 10kHz, C _{REF} = 0	-	74	-	dB
		f = 50 to 10kHz, C _{REF} = 5μF	-	86	-	dB
Average Temperature Coefficient of Output Voltage	ΔV _O /ΔT	-20 ≤ T _a ≤ 75°C	-	0.003	0.018	%/°C
Short Circuit Current Limit	I _{CL}	R _{SC} = 10Ω, V _{OUT} = 0	-	65	-	mA
Reference Voltage	V _{REF}		6.8	7.15	7.5	V
Output Noise Voltage	V _{NO}	BW = 100Hz to 10kHz, C _{RF} = 0	-	100	-	μV _{rms}
		BW = 100Hz to 10kHz, C _{RF} = 5μF	-	2.5	-	μV _{rms}
Dropout Voltage	V _{IO}		3.0	-	38	V
Standby Current Drain	I _{STDBY}	I _L = 0, V _{IN} = 30V, V _O = V _{REF}	-	2.3	4.0	mA
Input Voltage Range	V _{IN}		9.5	-	40	V
Output Voltage Range	V _O		2.0	-	37	V

■ TYPICAL APPLICATION

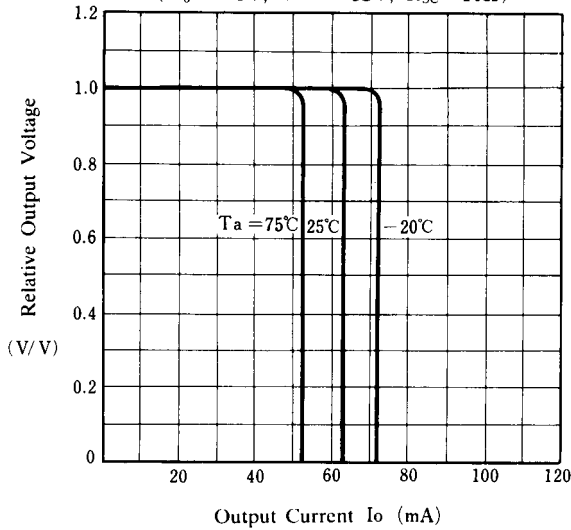
Maximum Load Current vs. Input Output Voltage Differential



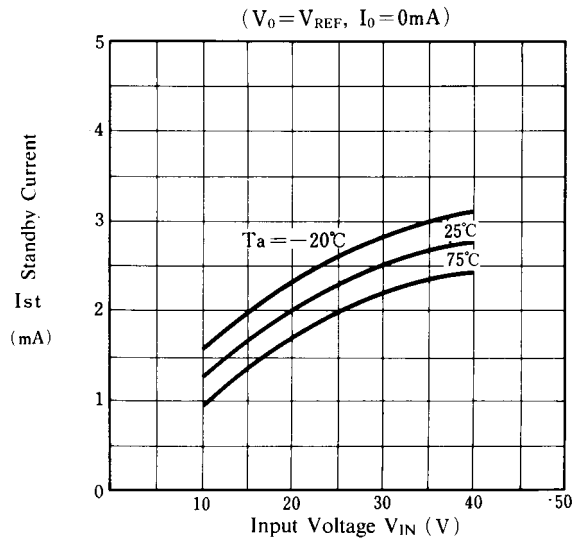
Load Regulation vs. Output Current



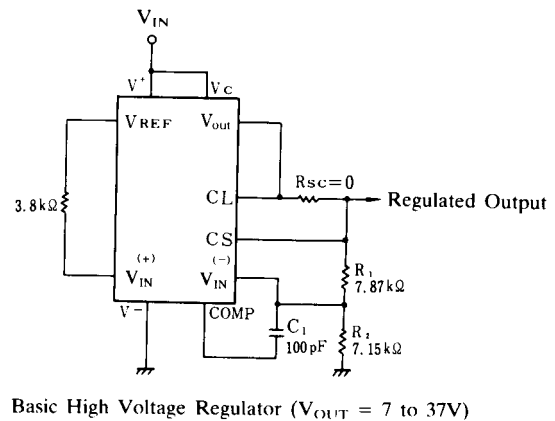
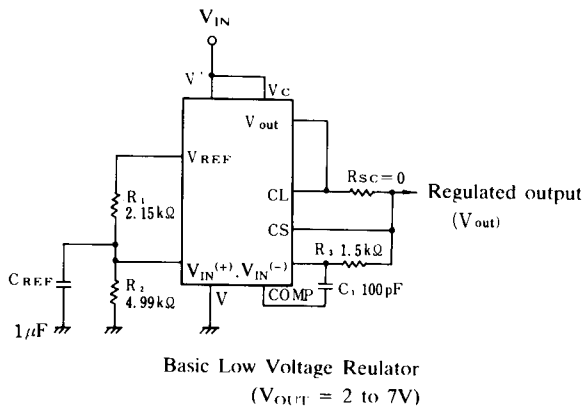
Relative Output Voltage vs. Output Current
($V_0 = +5V, V^+ = +12V, R_{SC} = 10\Omega$)



Standby Current vs. Input Voltage



■ TYPICAL CHARACTERISTICS



[CAUTION]

The specifications on this databook are only given for information, without any guarantee as regards either mistakes or omissions. The application circuits in this databook are described only to show representative usages of the product and not intended for the guarantee or permission of any right including the industrial rights.