
Designated client product

This product will be discontinued its production in the near term.
And it is provided for customers currently in use only, with a time limit.
It can not be available for your new project. Please select other new or existing products.

For more information, please contact our sales office in your region.

New Japan Radio Co.,Ltd.

<http://www.njr.com/>

MONAURAL MIC AMP. for VIDEO CAMERA

■ GENERAL DESCRIPTION

NJM2110 is a monaural microphone amplifier for video camera. It can operate from 2.7V.

The performance is low Operating current and small package, therefore it is easy to design the downsizing and low consumption.

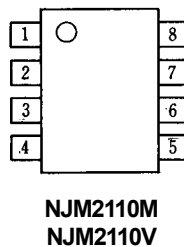
■ FEATURES

- Operating Voltage (2.7V~5.3V)
- Low Operating Current (V⁺=5V : 3.5mA typ.)
(V⁺=3.3V : 1.1mA typ.)
- Short Circuit Protection for External MIC.
- Package Outline DMP8, SSOP8
- Bipolar Technology

■ APPLICATION

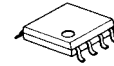
- Video Camera

■ PIN CONFIGURATION



PIN FUNCTION	
1.	MIC V ⁺
2.	EXT MIC V ⁺
3.	+V _{IN}
4.	GND
5.	-V _{IN}
6.	AMP NFB
7.	AMP OUT
8.	V ⁺

■ PACKAGE OUTLINE

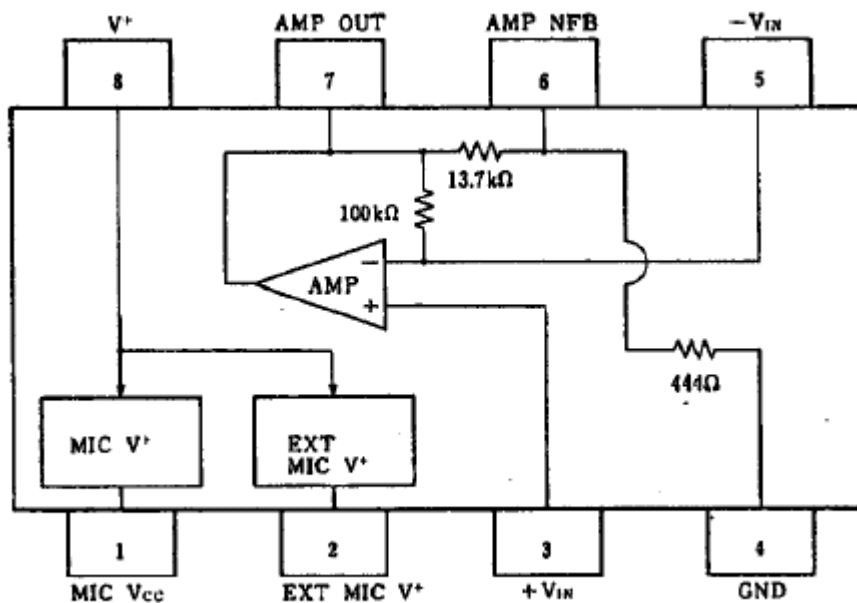


NJM2110M



NJM2110V

■ BLOCK DIAGRAM



NJM2110

■ ABSOLUTE MAXIMUM RATINGS

(Ta=25°C)

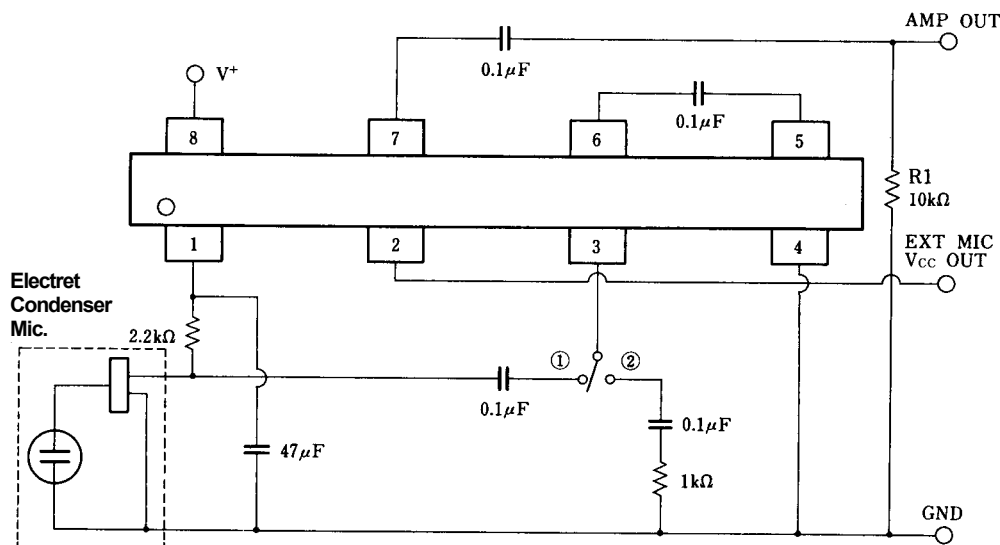
PARAMETER	SYMBOL	RATINGS	UNIT
Supply Voltage	V ⁺	7.0	V
Power Dissipation	P _D	(SSOP8) 250 (DMP8) 300	mW
Operating Temperature Range	T _{opr}	-20~+75	°C
Storage Temperature Range	T _{stg}	-40~+125	°C

■ ELECTRICAL CHARACTERISTICS

(V⁺=5.0V, Ta=25°C)

PARAMETER	SYMBOL	TEST CONDITION	MIN.	TYP.	MAX.	UNIT
Operating Current 1	I _{CC1}		-	3.5	4.5	mA
Operating Current 2	I _{CC2}	V ⁺ =3.3V	-	1.1	2.0	mA
Transfer Gain	G _V	f=1kHz	27	28	29	dB
Total Harmonic Distortion	THD	f=1kHz, V _o =300mVrms, R _L =10kΩ	-	0.05	0.2	%
Maximum Output Voltage	V _{om}	f=1kHz, V ⁺ =2.7V, THD=1%, R _L =10kΩ	2.0	2.5	-	V _{P-P}
Output Noise Voltage	V _{no}	R _g =1kΩ, C=0.1μF, A-Weight	-	30	42	μVrms
Input Resistance	Z _{in}	f=1kHz	-	110	-	kΩ
Output Resistance	Z _o	f=1kHz	-	10	-	Ω
MIC Output Supply Voltage 1	MIC _{o1}		2.0	2.35	2.7	V
MIC Output Supply Voltage 2	MIC _{o2}	V ⁺ =2.7V	2.0	2.25	2.5	V
External Output Supply Voltage	EXT _{out}	I _o =25mA	4.0	-	-	V
Output Short Circuit Current	I _{OS}	EXT _o =0V	-	-	30	mA

■ TEST CIRCUIT



* SW (2) : Output Noise Voltage TEST

[CAUTION]
The specifications on this databook are only given for information, without any guarantee as regards either mistakes or omissions. The application circuits in this databook are described only to show representative usages of the product and not intended for the guarantee or permission of any right including the industrial rights.