

## C-MOS 3-TERMINAL NEGATIVE VOLTAGE REGULATOR

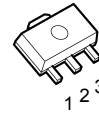
### ■ GENERAL DESCRIPTION

The **NJU7211 series** is a C-MOS 3-terminal negative voltage regulator which contains internal precision voltage reference, error amplifier, control transistor and output voltage setting resistor.

The regulation voltage is fixed by internal circuits and the following line-up of different output voltage versions are available.

The **NJU7211 series** is suitable for battery operated items and battery back-up systems because of low operating current and low dropout voltage.

### ■ PACKAGE OUTLINE



NJU7221U (SOT-89)

### ■ FEATURES

- Low Operating Current (19 $\mu$ A typ.)
- Wide Operating Voltage Range
- Low Dropout Voltage
  - ( $\Delta V_{IO} < 0.6V$  -3.0V output,  $I_{OUT} = 20mA$ )
  - ( $\Delta V_{IO} < 0.6V$  -5.0V output,  $I_{OUT} = 40mA$ )
- Small Temperature Coefficient of Output Voltage
- Package Outline (SOT-89)
- C-MOS Technology

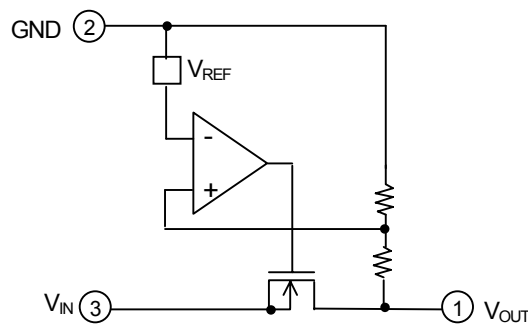
### ■ TERMINAL DESCRIPTION

No.	Description
1	Output
2	GND
3	Input

### ■ OUTPUT VOLTAGE LINE-UP

Output Voltage	SOT-89 Type
-2.0V	NJU7211U20
-3.0V	NJU7211U30
-4.0V	NJU7211U40
-5.0V	NJU7211U50

### ■ EQUIVALENT CIRCUIT



# NJU7211 Series

## ■ ABSOLUTE MAXIMUM RATINGS

(T<sub>a</sub> = 25°C)

PARAMETER	SYMBOL	RATINGS	UNIT
Input Voltage	V <sub>IN</sub>	-14	V
Output Voltage	V <sub>OUT</sub>	GND+0.3 to V <sub>IN</sub> -0.3	V
Output Current	I <sub>OUT</sub>	100	mA
Power Dissipation	P <sub>D</sub>	300 (SOT-89)	mW
Operating Temperature	T <sub>opr</sub>	-25 to +75	°C
Storage Temperature	T <sub>stg</sub>	-40 to +125	°C
Soldering Temperature / Time	T <sub>sold</sub>	260°C/10 sec	-

## ■ ELECTRICAL CHARACTERISTICS

-2.0V Version

(C<sub>IN</sub> = C<sub>O</sub> = 0.1μF, T<sub>a</sub> = 25°C)

PARAMETER	SYMBOL	CONDITION	MIN.	TYP.	MAX.	UNIT
Output Voltage	V <sub>OUT</sub>	V <sub>IN</sub> = -4.0V, I <sub>OUT</sub> = 10mA	-2.10	-2.00	-1.90	V
Dropout Voltage	ΔV <sub>IO</sub>	I <sub>OUT</sub> = 20mA	-	0.2	0.6	V
Input Voltage	V <sub>IN</sub>		-12	-	-	V
Operating Current	I <sub>Q</sub>	V <sub>IN</sub> = -4.0V	-	19	30	μA
Load Regulation	ΔV <sub>OUT</sub> / ΔI <sub>OUT</sub>	V <sub>IN</sub> = -4.0V, I <sub>OUT</sub> = 1~20mA	-	-	120	mV
Line Regulation	ΔV <sub>OUT</sub> / (ΔV <sub>IN</sub> · V <sub>OUT</sub> )	V <sub>IN</sub> = -3.0 ~ -12V	-	0.1	-	%/V

-3.0V Version

(C<sub>IN</sub> = C<sub>O</sub> = 0.1μF, T<sub>a</sub> = 25°C)

PARAMETER	SYMBOL	CONDITION	MIN.	TYP.	MAX.	UNIT
Output Voltage	V <sub>OUT</sub>	V <sub>IN</sub> = -5.0V, I <sub>OUT</sub> = 10mA	-3.15	-3.00	-2.85	V
Dropout Voltage	ΔV <sub>IO</sub>	I <sub>OUT</sub> = 20mA	-	0.2	0.6	V
Input Voltage	V <sub>IN</sub>		-12	-	-	V
Operating Current	I <sub>Q</sub>	V <sub>IN</sub> = -5.0V	-	19	30	μA
Load Regulation	ΔV <sub>OUT</sub> / ΔI <sub>OUT</sub>	V <sub>IN</sub> = -5.0V, I <sub>OUT</sub> = 1~20mA	-	80	120	mV
Line Regulation	ΔV <sub>OUT</sub> / (ΔV <sub>IN</sub> · V <sub>OUT</sub> )	V <sub>IN</sub> = -4.0 ~ -12V	-	0.1	-	%/V

-4.0V Version

(C<sub>IN</sub> = C<sub>O</sub> = 0.1μF, T<sub>a</sub> = 25°C)

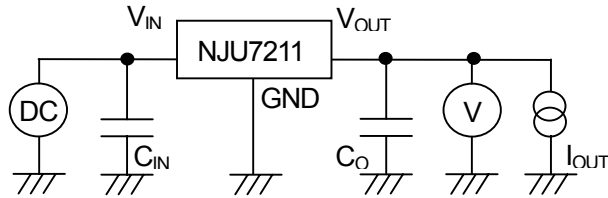
PARAMETER	SYMBOL	CONDITION	MIN.	TYP.	MAX.	UNIT
Output Voltage	V <sub>OUT</sub>	V <sub>IN</sub> = -6.0V, I <sub>OUT</sub> = 30mA	-5.25	-5.00	-4.75	V
Dropout Voltage	ΔV <sub>IO</sub>	I <sub>OUT</sub> = 40mA	-	0.3	0.6	V
Input Voltage	V <sub>IN</sub>		-12	-	-	V
Operating Current	I <sub>Q</sub>	V <sub>IN</sub> = -6.0V	-	19	30	μA
Load Regulation	ΔV <sub>OUT</sub> / ΔI <sub>OUT</sub>	V <sub>IN</sub> = -6.0V, I <sub>OUT</sub> = 1~40mA	-	-	120	mV
Line Regulation	ΔV <sub>OUT</sub> / (ΔV <sub>IN</sub> · V <sub>OUT</sub> )	V <sub>IN</sub> = -5.0 ~ -12V	-	0.1	-	%/V

-5.0V Version

(C<sub>IN</sub> = C<sub>O</sub> = 0.1μF, T<sub>a</sub> = 25°C)

PARAMETER	SYMBOL	CONDITION	MIN.	TYP.	MAX.	UNIT
Output Voltage	V <sub>OUT</sub>	V <sub>IN</sub> = -7.0V, I <sub>OUT</sub> = 30mA	-5.25	-5.00	-4.75	V
Dropout Voltage	ΔV <sub>IO</sub>	I <sub>OUT</sub> = 40mA	-	0.3	0.6	V
Input Voltage	V <sub>IN</sub>		-12	-	-	V
Operating Current	I <sub>Q</sub>	V <sub>IN</sub> = -7.0V	-	19	30	μA
Load Regulation	ΔV <sub>OUT</sub> / ΔI <sub>OUT</sub>	V <sub>IN</sub> = -7.0V, I <sub>OUT</sub> = 1~40mA	-	80	120	mV
Line Regulation	ΔV <sub>OUT</sub> / (ΔV <sub>IN</sub> · V <sub>OUT</sub> )	V <sub>IN</sub> = -6.0 ~ -12V	-	0.1	-	%/V

## ■ MEASUREMENT CIRCUIT



**[CAUTION]**

The specifications on this databook are only given for information, without any guarantee as regards either mistakes or omissions. The application circuits in this databook are described only to show representative usages of the product and not intended for the guarantee or permission of any right including the industrial rights.