

QUARTZ CRYSTAL OSCILLATOR
■ GENERAL DESCRIPTION

The NJU6324 series is a C-MOS quartz crystal oscillator which consists of an oscillation amplifier, 3-stage divider and 3-state output buffer.

The oscillation frequency is as wide as up to 50MHz and the symmetry of 45-55% is realized over full oscillation frequency range.

The oscillation amplifier incorporates feed-back resistance and oscillation capacitors(Cg, Cd), therefore, it requires no external component except quartz crystal.

The 3-stage divider generates f_o , $f_o/2$, $f_o/4$ and $f_o/8$ and only one frequency selected by internal circuits is output

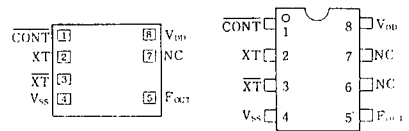
The 3-state output buffer is C-MOS compatible and capable of 10 LSTTL driving.

■ PACKAGE OUTLINE


NJU6324XC



NJU6324XE

■ PIN CONFIGURATION/PAD LOCATION

■ FEATURES

- Operating Voltage -- 3.0~6.0V
- Maximum Oscillation Frequency -- 50MHz
- Low Operating Current
- High Fan-out -- LSTTL 10
- 3-state Output Buffer
- Selected Frequency Output (mask option)
Only one frequency out of f_o , $f_o/2$, $f_o/4$ and $f_o/8$ output
- Oscillation Capacitors Cg and Cd on-chip
- Oscillation and/or Output Stand-by Function
- Package Outline -- CHIP/EMP 8
- C-MOS Technology

■ COORDINATES

 Unit: μm

No.	PAD	X	Y
1	CONT	170	649
2	XT	170	483
3	XT	170	316
4	VSS	170	143
5	FOUT	1094	143
6	NC	-	-
7	NC	1094	462
8	VDD	1094	649

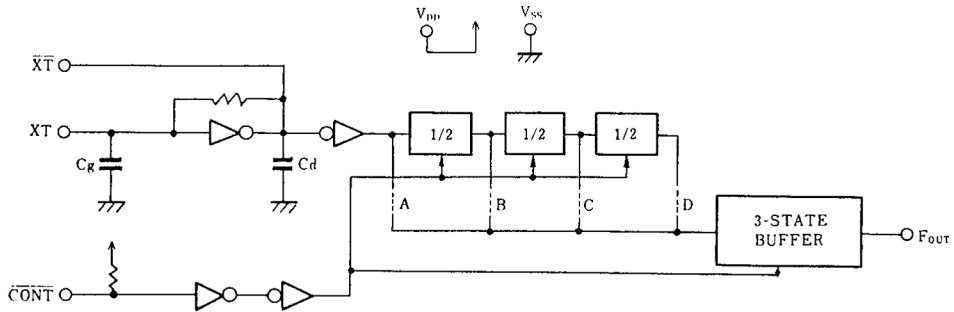
Chip Size : 1.24 X 0.8mm
 Chip Thickness : $400\mu\text{m} \pm 30\mu\text{m}$

(Note) No. 6 and 7 terminals are only for package type information. There is No.7 PAD on the chip but no No.6.

■ LINE-UP TABLE

Type No.	Output Frequency	Cg	Cd
NJU6324L	f_o	23pF	23pF
NJU6324M	$f_o/2$	23pF	23pF
NJU6324N	$f_o/4$	23pF	23pF
NJU6324U	$f_o/8$	23pF	23pF

■ BLOCK DIAGRAM



4

■ TERMINAL DESCRIPTION

NO.	SYMBOL	F U N C T I O N
1	$\overline{\text{CONT}}$	3-State Output Control and Divider Reset
		Output (F_{OUT})
		H Output either one frequency from f_0 , $f_0/2$, $f_0/4$ and $f_0/8$
		L Output High Impedance and Divider Reset
2	XT	Quartz Crystal Connecting Terminals
3	$\overline{\text{XT}}$	
5	F_{OUT}	Output either one frequency from f_0 , $f_0/2$, $f_0/4$ and $f_0/8$
8	V_{DD}	+ 5V
4	V_{SS}	GND

■ ABSOLUTE MAXIMUM RATINGS

 ($T_a=25^\circ\text{C}$)

P A R A M E T E R	SYMBOL	R A T I N G S	UNIT
Supply Voltage	V_{DD}	-0.5 ~ 7.0	V
Input Voltage	V_{IN}	-0.5 ~ $V_{\text{DD}}+0.5$	V
Output Voltage	V_{O}	-0.5 ~ $V_{\text{DD}}+0.5$	V
Input Current	I_{IN}	± 10	mA
Output Current	I_{O}	± 25	mA
Power Dissipation (EMP)	P_{D}	200	mW
Operating Temperature Range	T_{opr}	-40 ~ + 85	$^\circ\text{C}$
Storage Temperature Range	T_{stg}	-65 ~ +150	$^\circ\text{C}$

(Note) Decoupling capacitor should be connected between V_{DD} and V_{SS} due to the stabilized operation for the circuit.

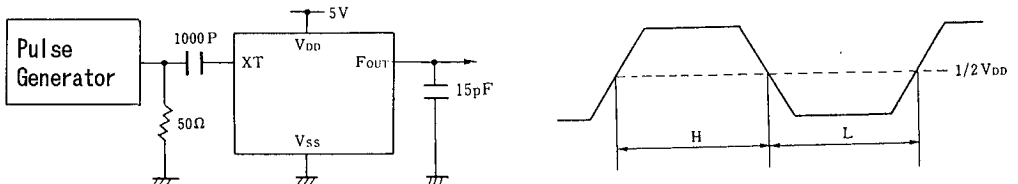
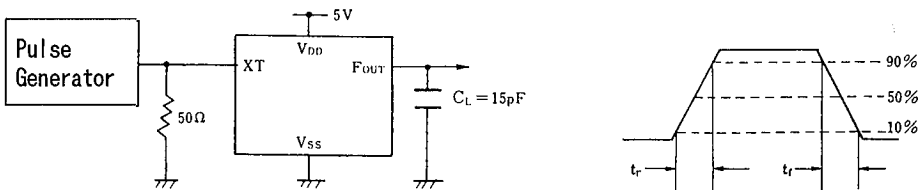
ELECTRICAL CHARACTERISTICS

 ($T_a=25^\circ\text{C}$, $V_{DD}=5\text{V}$)

PARAMETER	SYMBOL	CONDITIONS	MIN	TYP	MAX	UNIT
Operating Voltage	V_{DD}		3		6	V
Operating Current	I_{DD}	$f_{osc}=16\text{MHz}$, No load			10	mA
Stand-by Current	I_{st}	$\overline{\text{CONT}}, \text{XT}=\overline{V_{SS}}$, No load (Note)			1	μA
Input Voltage	V_{IH}		3.5		5.0	V
	V_{IL}		0		1.5	
Output Current	I_{OH}	$V_{DD}=5\text{V}$, $V_{OH}=4.5\text{V}$	4			mA
	I_{OL}	$V_{DD}=5\text{V}$, $V_{OL}=0.5\text{V}$	4			
Input Current	I_{IN}	$\overline{\text{CONT}}$ Terminal, $\overline{\text{CONT}}=\overline{V_{SS}}$			400	μA
Internal Capacitor	C_g, C_d			23		pF
Max. Oscillation Freq.	f_{MAX}	$V_{DD}=5\text{V}$, $C_L=15\text{pF}$	50			MHz
Output Signal Symmetry	SYM	$V_{DD}=5\text{V}$, $C_L=15\text{pF}$ at $1/2V_{DD}$	45	50	55	%
Output Signal Rise Time	t_r	$V_{DD}=5\text{V}$, $C_L=15\text{pF}$, 10% - 90%			8	ns
Output Signal Fall Time	t_f	$V_{DD}=5\text{V}$, $C_L=15\text{pF}$, 90% - 10%			8	ns

 Note) Excluding input current on $\overline{\text{CONT}}$ terminal.

MEASUREMENT CIRCUITS

 (1) Output Signal Symmetry ($C_L=15\text{pF}$)

 (2) Output Signal Rise / Fall Time ($C_L=15\text{pF}$)


NJU6324 Series

MEMO

[CAUTION]

The specifications on this databook are only given for information, without any guarantee as regards either mistakes or omissions. The application circuits in this databook are described only to show representative usages of the product and not intended for the guarantee or permission of any right including the industrial rights.