

# NJRC's Motor Driver Line-up, featuring the NJM6219

**NJR**  
**NEWS**

2005 **53**

August 2, 2005

**NJM6219**

## NJRC Stepper Motor Driver series

This newsletter talks about NJRC'S Stepper Motor Driver, the NJM6219.

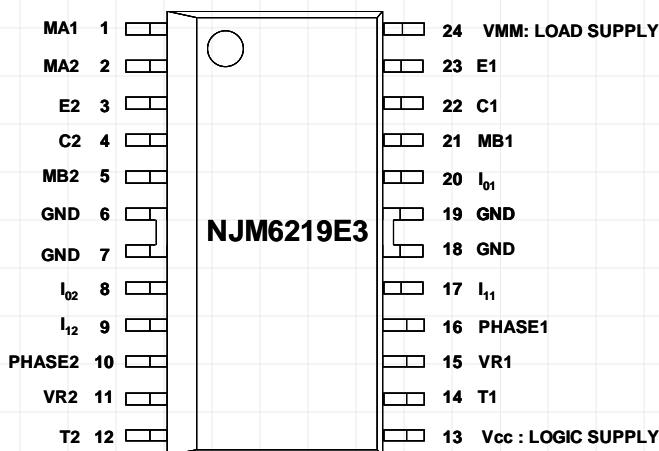
### FEATURES

- **Wide Voltage Range:** +4V to +40V
- **Wide Range of Output Drive:**  
+5mA to +1000mA
- **Half-step and Full-step Operation**
- **Thermal Overload Protection**
- **Package:** EMP24 (SOIC24)

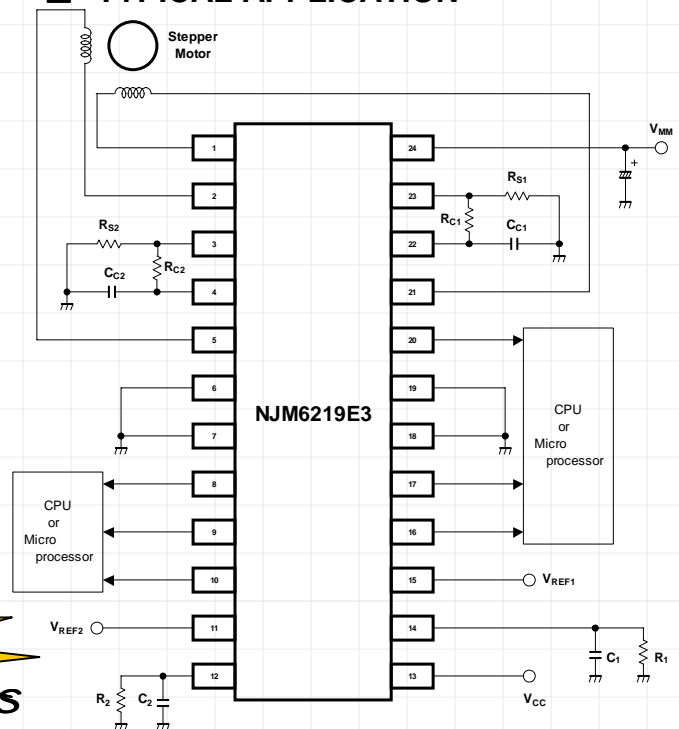
### TARGET APPLICATION

Printer, Facsimile, Industrial Systems,  
etc.

### PIN CONFIGURATION



### TYPICAL APPLICATION



**Fully Compatible to  
Allegro & ST: 6219 series**

**JRC** **NJR CORPORATION**  
A SUBSIDIARY OF NEW JAPAN RADIO COMPANY, LTD.

198 Stauffer Blvd. San Jose, CA 95125

NJR CORPORATION offers Bipolar ICs, CMOS ICs, BiCMOS ICs and GaAs MMICs as well as Saw filters, covering North and South America to provide technical assistance and quick delivery for achieving customer satisfactions. For further information, please contact:

PHONE : (408) - 995-6200 or [WWW.NJR.COM](http://WWW.NJR.COM)

The World's Best Source for High Quality ICs using Bipolar, CMOS, BiCMOS, and GaAs Technologies as well as Saw Filters