

NJRC's General IC Line-up, featuring the NJU3730

NJR
NEWS

2005 49

March 7, 2005

NJU3730

This newsletter talks about our I²C to Parallel Converter, the NJU3730.

■ FEATURES

- Operating Voltage: +4.5 to +5.5V
- Convert I²C data to parallel data
- 3 bits parallel output port
- Selectable 3 slave addresses
- C-MOS Technology
- Package Outline DIP8, DMP8

■ APPLICATIONS

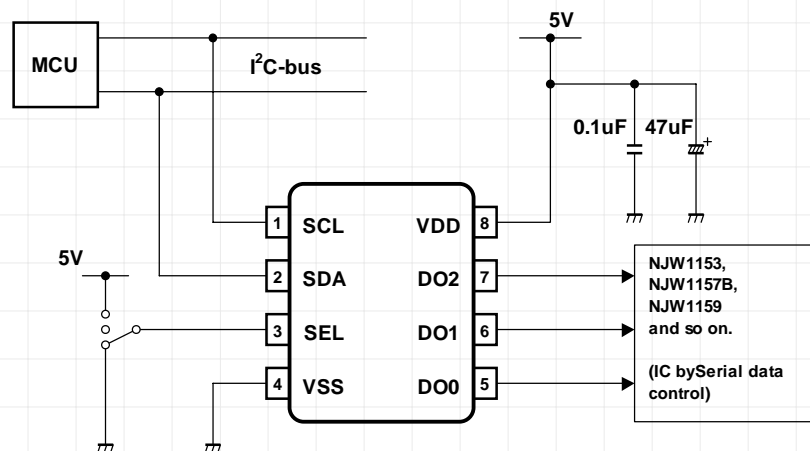
I²C-BUS applications:

TV, AV Amplifier, Mini Stereo Components
and other similar applications requiring I²C
input support.

■ FUNCTIONS

Convert I²C serial data into 3 bits parallel data

■ APPLICATION CIRCUIT



A maximum of three NJU3730s can be **connected onto the same I²C-bus**, and each NJU3730 operates as a controller for a **non-I²C device or extension ports**.

JRC NJR CORPORATION
A SUBSIDIARY OF NEW JAPAN RADIO COMPANY, LTD.

198 Stauffer Blvd. San Jose, CA 95125

NJR CORPORATION offers Bipolar ICs, CMOS ICs, BiCMOS ICs and GaAs MMICs as well as Saw filters, covering North and South America to provide technical assistance and quick delivery for achieving customer satisfactions. For further information, please contact:

PHONE : (408) - 995-6200 or WWW.NJR.COM

The World's Best Source for High Quality ICs using Bipolar, CMOS, BiCMOS, and GaAs Technologies as well as Saw Filters